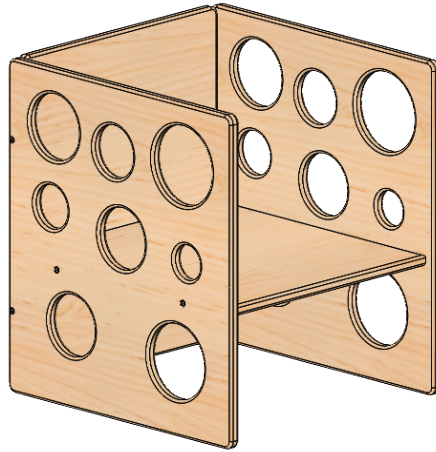
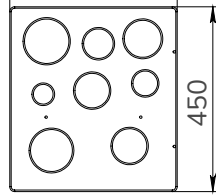
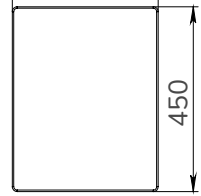
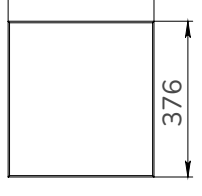

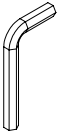
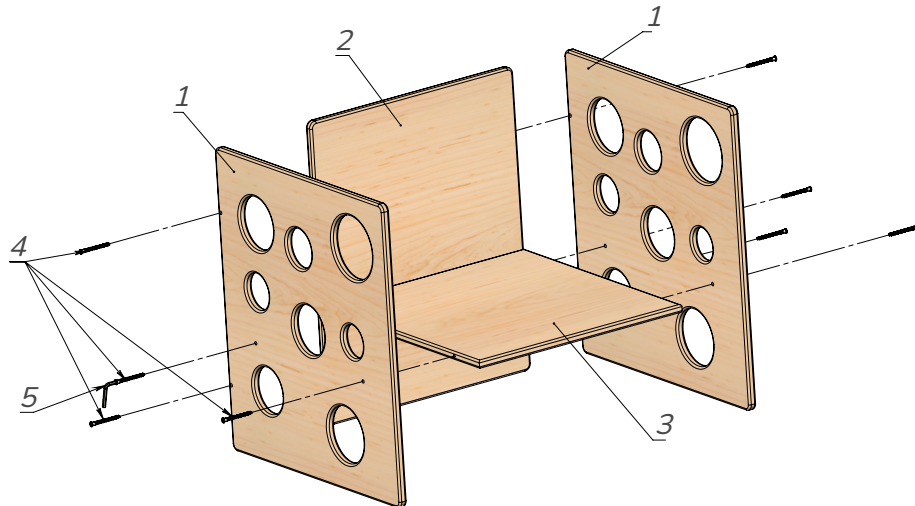


Big Cube Chair



ASSEMBLY DETAILS

<p>1 - Sidewall 400 450 2 pcs.</p> 	<p>2 - Backrest 356 450 1 pc.</p> 	<p>3 - Seat 356 376 1 pc.</p> 	<p>4 - 5x40 Confirmat screw 8 pcs.</p> 	<p>5 - 3 mm Hex key 1 pc.</p> 
---	--	--	---	--



Pic. 1

Take one of the Sidewalls (1) and using the Confirmat screws (4) and a Hex key (5) screw the Backrest (2) and a Seat (3). Screw another Sidewall (1) to the assembled construction with the Confirmat screws (see Pic. 1).



To be used for its intended purpose only and under the direct supervision of an adult!
All the responsibility for children's injuries received during games on the furniture lies on adults watching after them.

Always be vigilant during children's games!