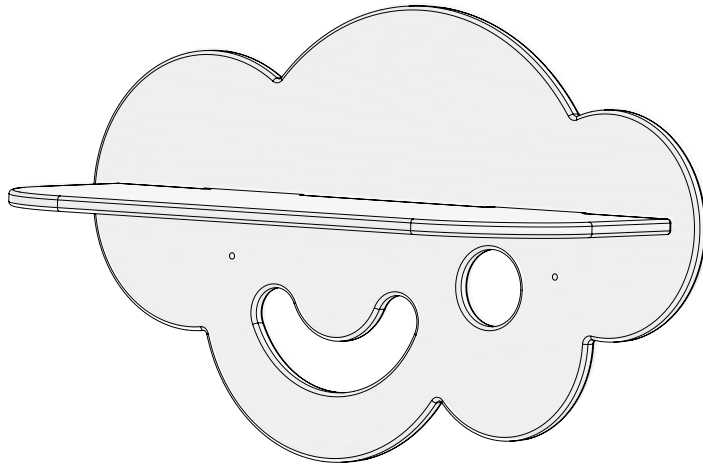
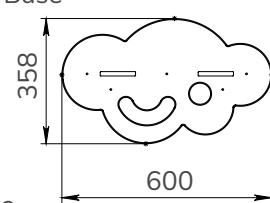
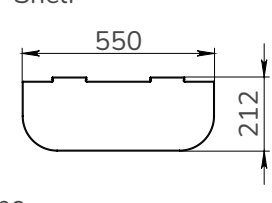

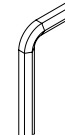
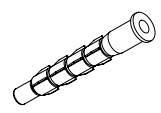


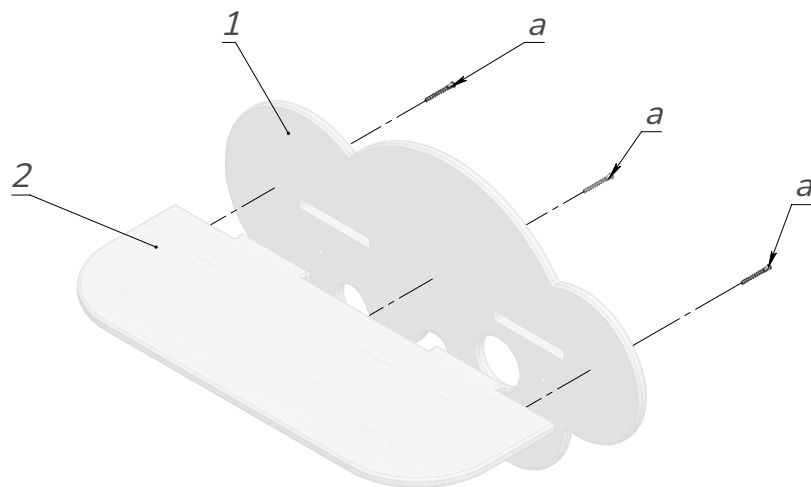


Big Wall Shelf "Cloud"



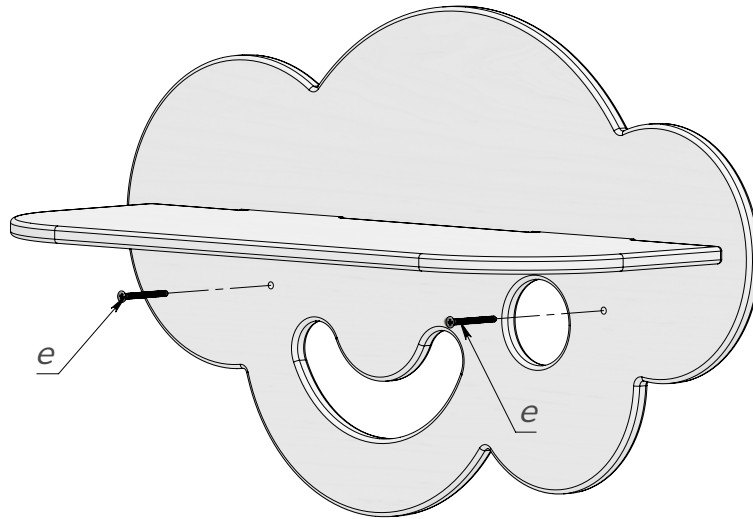
ASSEMBLY DETAILS

<p>1 - Base</p>  <p>1 pc</p>	<p>2 - Shelf</p>  <p>1 pc</p>	<p>a - Confirmat screw 5x40</p>  <p>3 pcs.</p>	<p>b - Hex key 3 mm</p>  <p>1 pc</p>
<p>c - Plastic dowel</p>  <p>2 pcs</p>	<p>d - Drywall dowel</p>  <p>2 pcs</p>	<p>e - Self-tapping screw 6x60</p>  <p>2 pcs</p>	



Pic. 1

Connect the shelf (2) to the base (1) with confirmat screws (a) and a hex key (b). See Pic. 1.



Pic. 2

If you have a concrete wall - attach the assembled construction to the wall using self tapping screws (e) together with dowels (c), if you have a dry wall use a dowel (d). See Pic 2



To be used for its intended purpose only and under the direct supervision of an adult!
All the responsibility for children's injuries received during games on the furniture lies on adults watching after them.

Always be vigilant during children's games!