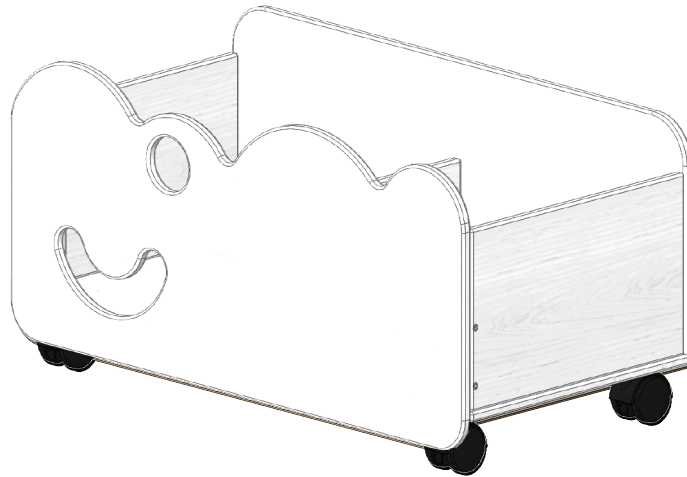
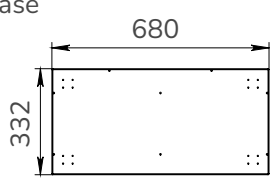
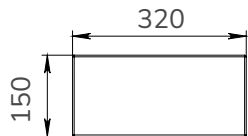
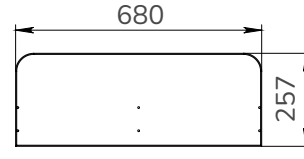
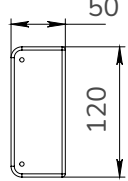
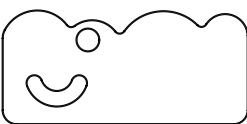
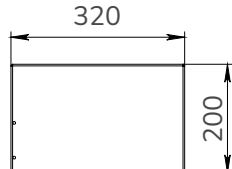

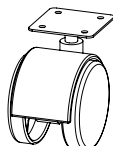

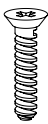

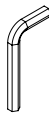
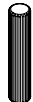
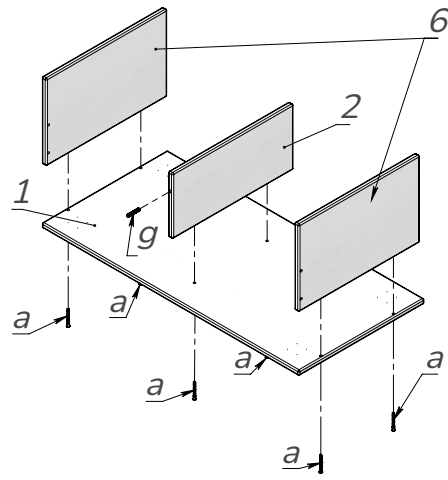


Drawer with cutouts "Cloud"



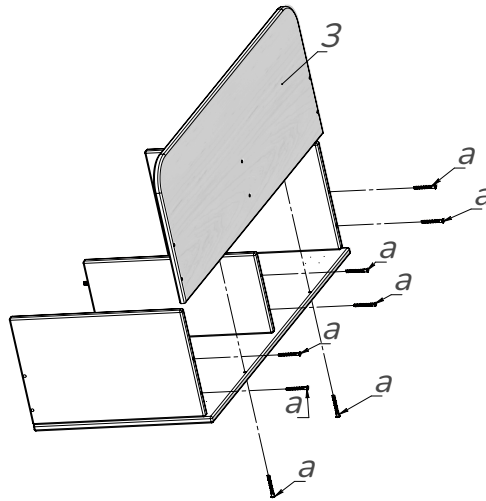
ASSEMBLY DETAILS

<p>1 - Base</p>  <p>1 pc.</p>	<p>2 - Central partition</p>  <p>1 pc.</p>	<p>3 - Back wall</p>  <p>1 pc.</p>	<p>4 - Plank under facade</p>  <p>2 pcs.</p>
<p>5 - Facade</p>  <p>1 pc.</p>	<p>6 - Sidewall</p>  <p>2 pcs.</p>	<p>a - Confirmat screw 5x40</p>  <p>20 pcs.</p>	<p>b - Wheel</p>  <p>4 pcs.</p>
<p>c - Self-tapping screw 3x12</p>  <p>16 pcs.</p>	<p>d - Self-tapping screw 3x20</p>  <p>4 pcs.</p>	<p>e - Screwdriver</p>  <p>1 pc.</p>	<p>f - 3 mm hex key</p>  <p>1 pc.</p>
<p>g - Wooden dowel</p>  <p>1 pc.</p>			



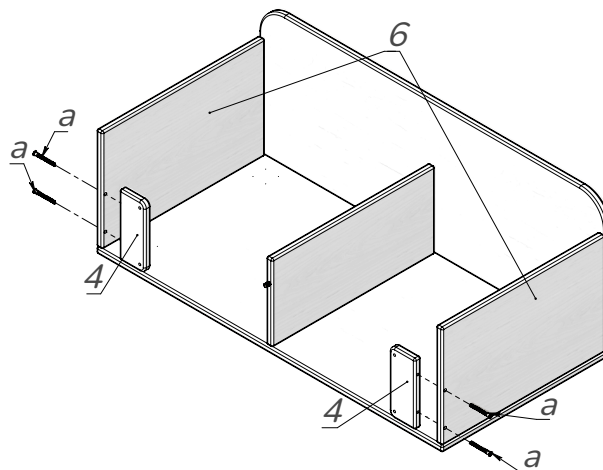
Pic. 1

Take the Base (1) and using the confirmat screws (a) and hex key (f) screw the central partition (2) and sidewalls (6) to it. Install the wooden dowel (g) into the partition (2). See Pic. 1.confirmats (h) and hex key (i). See Pic. 9.



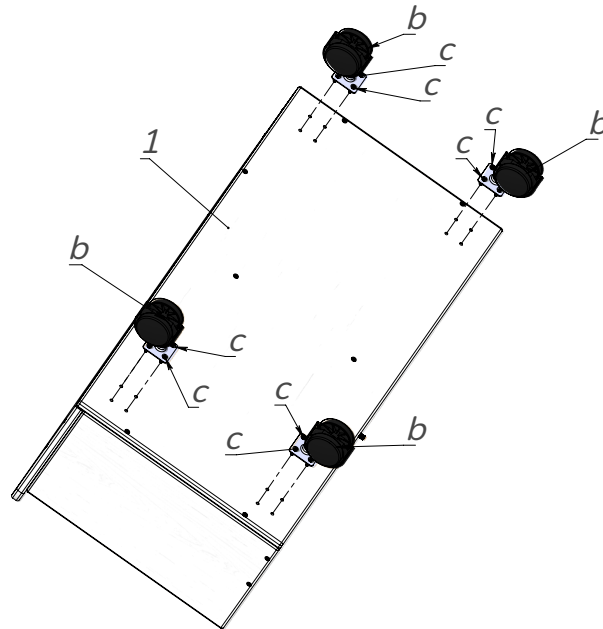
Pic. 2

Using the confirmat screws (a) attach the back wall (3) to the sidewalls (6). See Pic. 2.



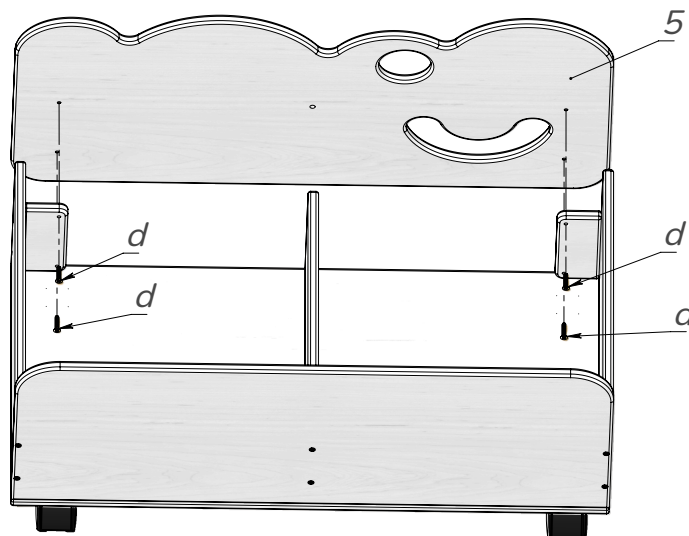
Pic. 3

Take the planks under facade (4) and, using the confirmat screws (a), attach them to the sidewalls. See Pic. 3.



Pic. 4

Screw the wheels (b) to the base (1) using the self-tapping screws (c) and screwdriver (e). See Pic. 4.



Pic. 5

Using the self-tapping screws (c), attach the facade (5) to the previously assembled construction. See Pic. 5.



To be used for its intended purpose only and under the direct supervision of an adult!
All the responsibility for children's injuries received during games on the furniture lies on adults watching after them.

Always be vigilant during children's games!