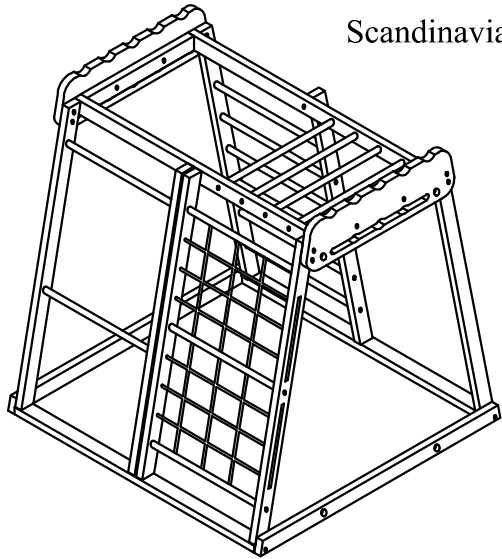


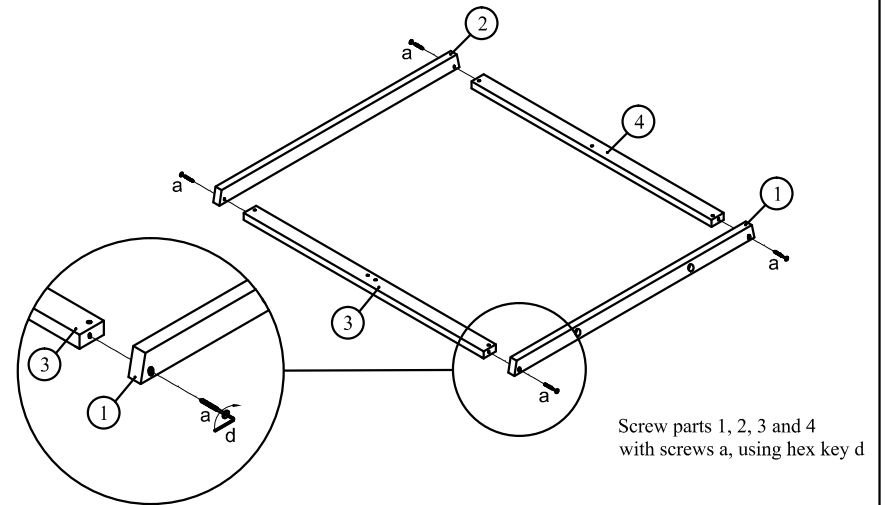
Scandinavian trapeze



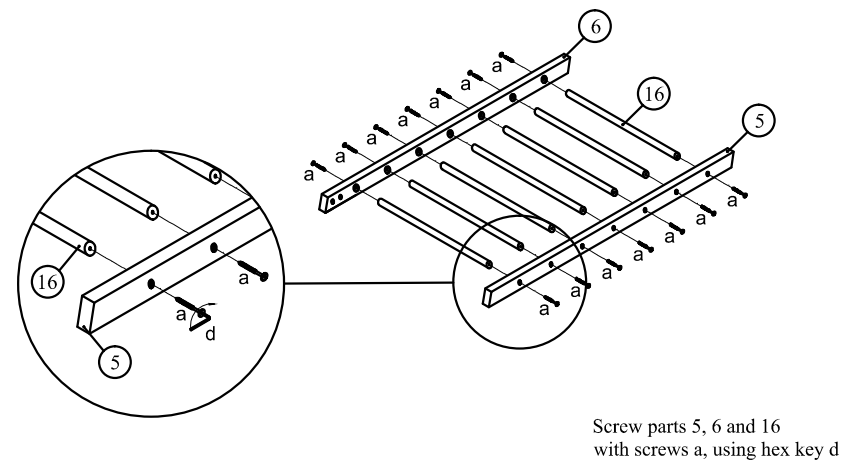
ASSEMBLY PARTS

1 980 Basis(1pc)	2 980 Basis(1pc)	3 990 Basis(1pc)
4 990 Basis(1pc)	5 1005 Sidewall(1pc)	6 1005 Sidewall(1pc)
7 1005 Sidewall(1pc)	8 1005 Sidewall(1pc)	9 1005 Sidewall(1pc)
10 990 Up basic(1pc)	11 990 Up basic(1pc)	12 452 Up basic(2pcs)
13 609 Sidewall(1pc)	14 609 Sidewall(1pc)	15 Ladder(1pc)
16 Long nog(13pcs)	a Flat head 50mm screw (44pcs - 5pcs spare)	b Flat head 30mm screw (12pcs - 2pcs spare)
	c Flat head 17mm screw (12pcs - 2pcs spare)	d 4mm hex key (2pcs)

STEP 1

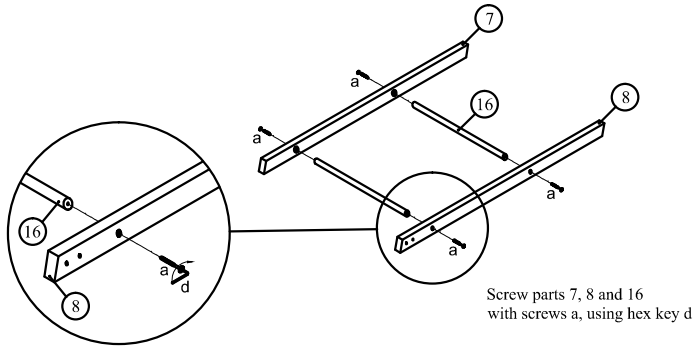


STEP 2



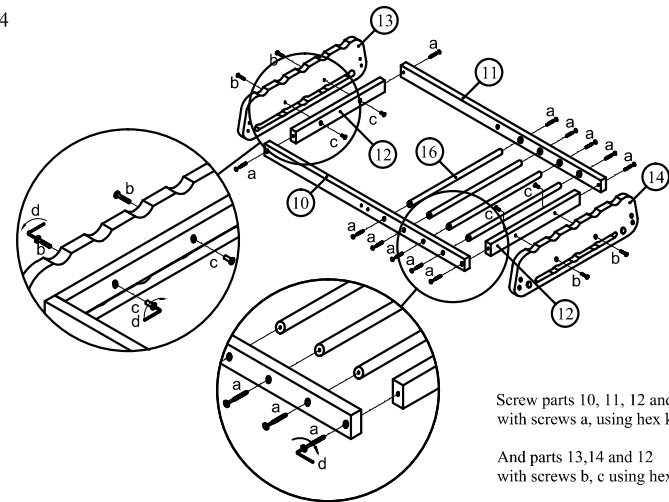
To be used under the direct supervision of an adult only. Always be vigilant during children's games.

STEP 3



Screw parts 7, 8 and 16
with screws a, using hex key d

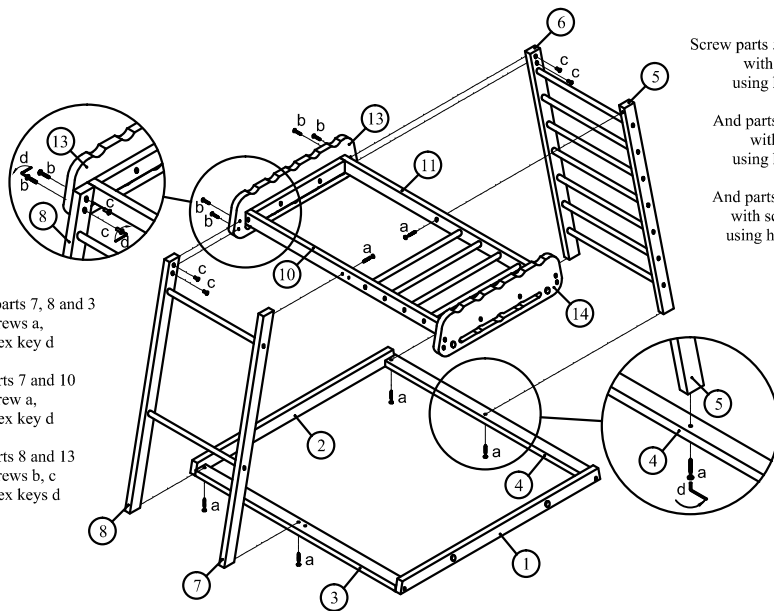
STEP 4



Screw parts 10, 11, 12 and 16
with screws a, using hex key d

And parts 13, 14 and 12
with screws b, c using hex keys d

STEP 5



Screw parts 7, 8 and 3
with screws a,
using hex key d

And parts 7 and 10
with screw a,
using hex key d

And parts 8 and 13
with screws b, c
using hex keys d

Screw parts 5, 6 and 4
with screws a,
using hex key d

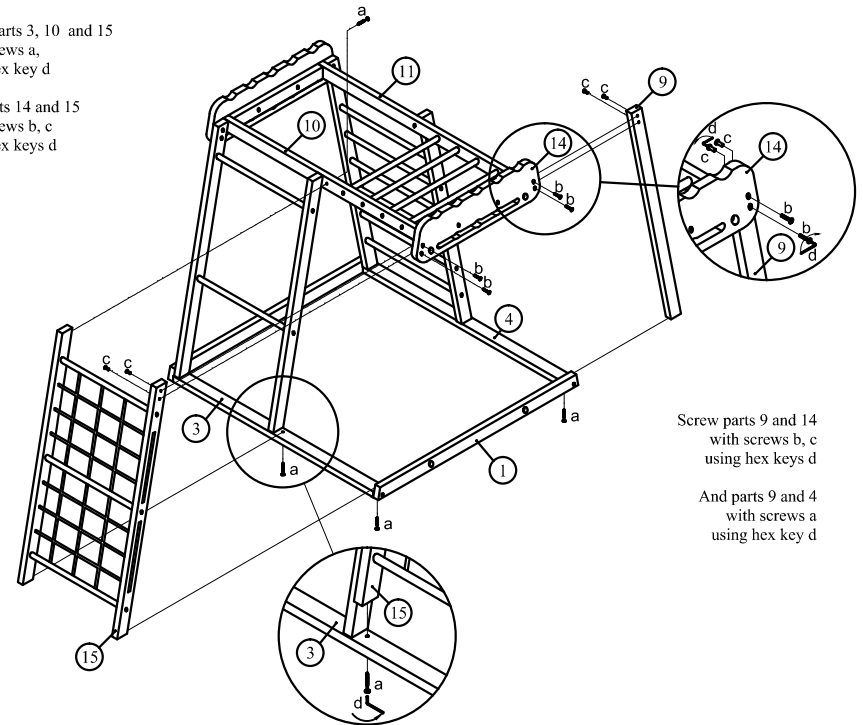
And parts 5 and 11
with screw a,
using hex key d

And parts 6 and 13
with screws b, c
using hex keys d

STEP 6

Screw parts 3, 10 and 15
with screws a,
using hex key d

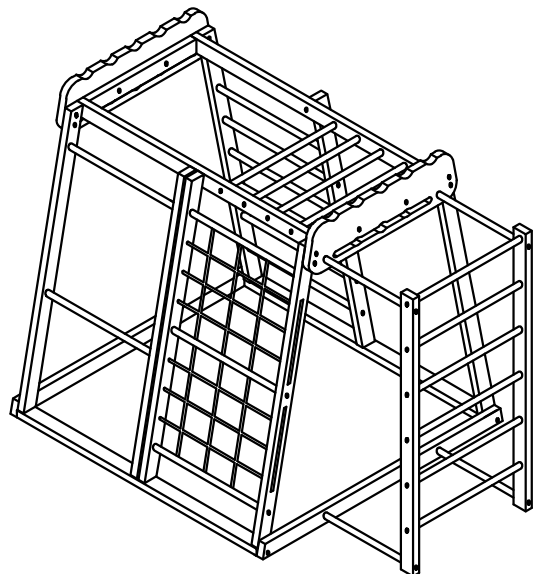
And parts 14 and 15
with screws b, c
using hex keys d



Screw parts 9 and 14
with screws b, c
using hex keys d

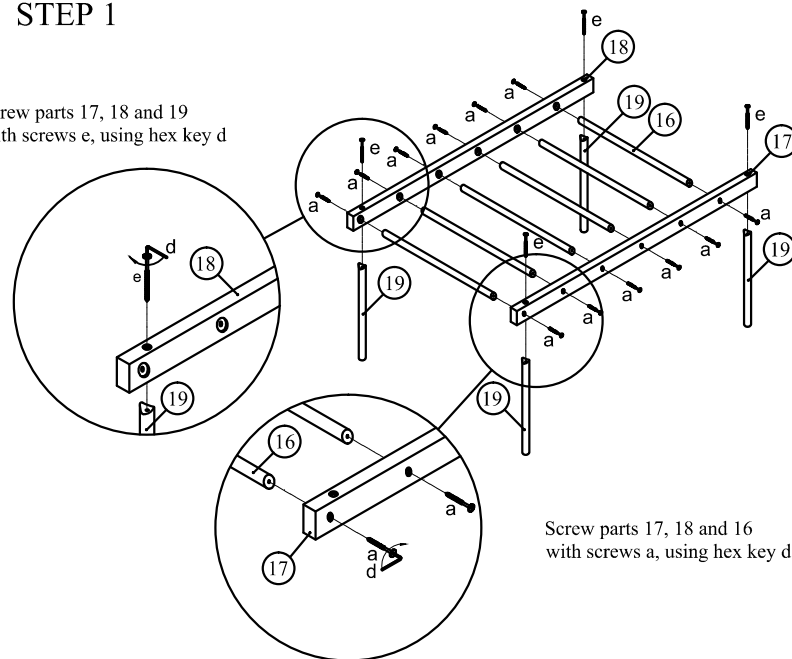
And parts 9 and 4
with screws a
using hex key d

Scandinavian trapeze with additional ladder



STEP 1

Screw parts 17, 18 and 19 with screws e, using hex key d

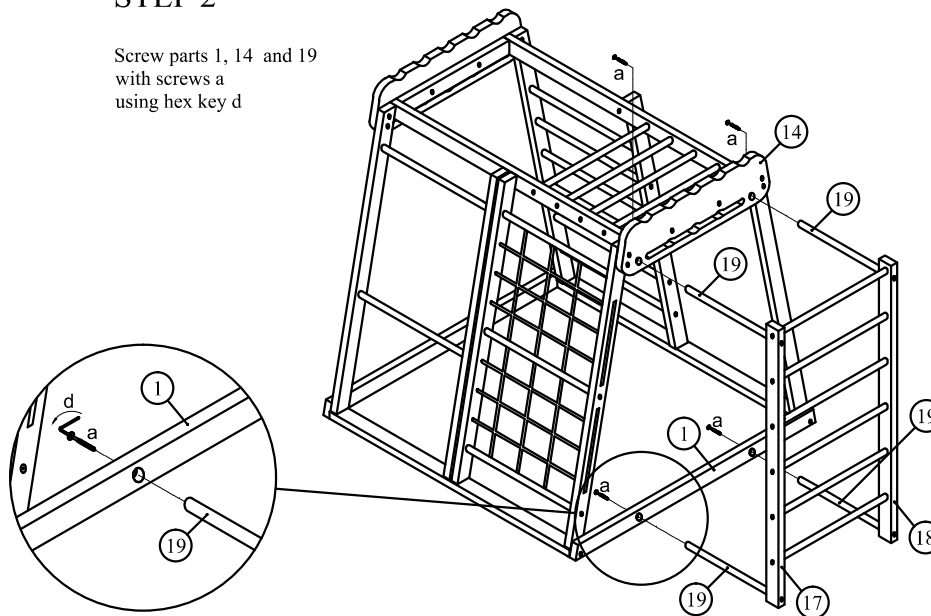
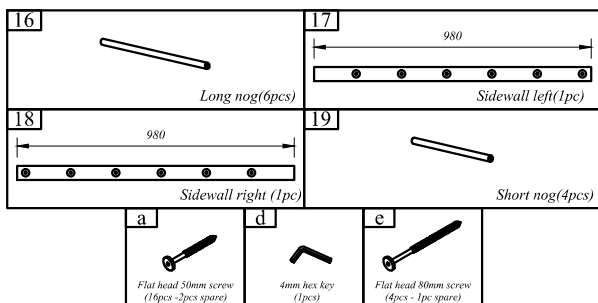


Screw parts 17, 18 and 16 with screws a, using hex key d

STEP 2

Screw parts 1, 14 and 19 with screws a using hex key d

ASSEMBLY PARTS



To be used under the direct supervision of an adult only. Always be vigilant during children's games.