



RECORD
TECHNOLOGIES



Cables and Adapters



0.187 Tang Cables

These cables are fitted with 7/8-18 Nuts on both sides with 0.187 tang tips on both sides



LENGTH	PART NUMBER
6 FOOT	CC1506-187
7 FOOT	CC1507-187
8 FOOT	CC1508-187
9 FOOT	CC1509-187
10 FOOT	CC15010-187
11 FOOT	CC15011-187
12 FOOT	CC15012-187
13 FOOT	CC15013-187
14 FOOT	CC15014-187
15 FOOT	CC15015-187
16 FOOT	CC15016-187
17 FOOT	CC15017-187
18 FOOT	CC15018-187
19 FOOT	CC15019-187
20 FOOT	CC15020-187



0.187 Extension Cables

These cables have 7/8-18 nuts and 0.187 tang tips on one side and 7/8-18 threads and 0.187 tang female ends



LENGTH	PART NUMBER
6 FOOT	EXC1506-187
7 FOOT	EXC1507-187
8 FOOT	EXC1508-187
9 FOOT	EXC1509-187
10 FOOT	EXC15010-187
11 FOOT	EXC15011-187
12 FOOT	EXC15012-187
13 FOOT	EXC15013-187
14 FOOT	EXC15014-187
15 FOOT	EXC15015-187
16 FOOT	EXC15016-187
17 FOOT	EXC15017-187
18 FOOT	EXC15018-187
19 FOOT	EXC15019-187
20 FOOT	EXC15020-187



Male Paddle Cables

These cables have 7/8-18 nuts and metric male paddle tips on both sides

LENGTH	PART NUMBER
6 FOOT	CC1506-MP
7 FOOT	CC1507-MP
8 FOOT	CC1508-MP
9 FOOT	CC1509-MP
10 FOOT	CC15010-MP
11 FOOT	CC15011-MP
12 FOOT	CC15012-MP
13 FOOT	CC15013-MP
14 FOOT	CC15014-MP
15 FOOT	CC15015-MP
16 FOOT	CC15016-MP
17 FOOT	CC15017-MP
18 FOOT	CC15018-MP
19 FOOT	CC15019-MP
20 FOOT	CC15020-MP

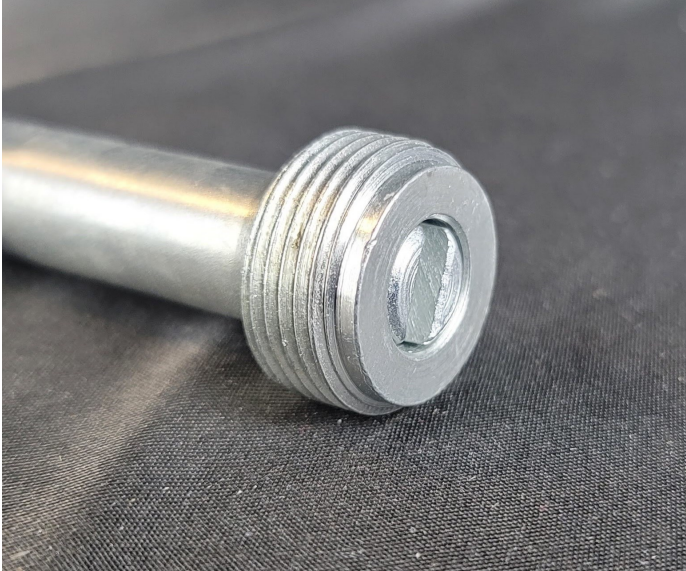


Female Paddle Cables

These cables have 7/8-18 nuts and female metric paddles tips on both sides



LENGTH	PART NUMBER
6 FOOT	CC1506-FP
7 FOOT	CC1507-FP
8 FOOT	CC1508-FP
9 FOOT	CC1509-FP
10 FOOT	CC15010-FP
11 FOOT	CC15011-FP
12 FOOT	CC15012-FP
13 FOOT	CC15013-FP
14 FOOT	CC15014-FP
15 FOOT	CC15015-FP
16 FOOT	CC15016-FP
17 FOOT	CC15017-FP
18 FOOT	CC15018-FP
19 FOOT	CC15019-FP
20 FOOT	CC15020-FP



Female Extension Cables

These cables have 7/8-18 nuts on with metric male paddles on one side and 7/8-18 threading with metric female paddles on the other



LENGTH	PART NUMBER
6 FOOT	EXC1506-FP
7 FOOT	EXC507-FP
8 FOOT	EXC1508-FP
9 FOOT	EXC1509-FP
10 FOOT	EXC15010-FP
11 FOOT	EXC15011-FP
12 FOOT	EXC15012-FP
13 FOOT	EXC15013-FP
14 FOOT	EXC15014-FP
15 FOOT	EXC15015-FP
16 FOOT	EXC15016-FP
17 FOOT	EXC15017-FP
18 FOOT	EXC15018-FP
19 FOOT	EXC15019-FP
20 FOOT	EXC15020-FP

Straight Adapters

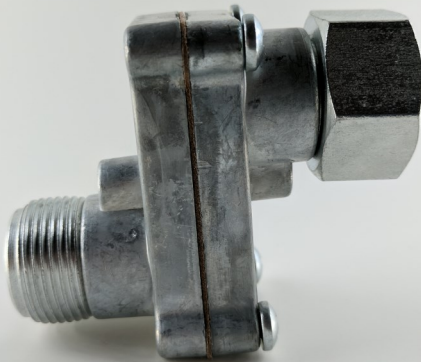
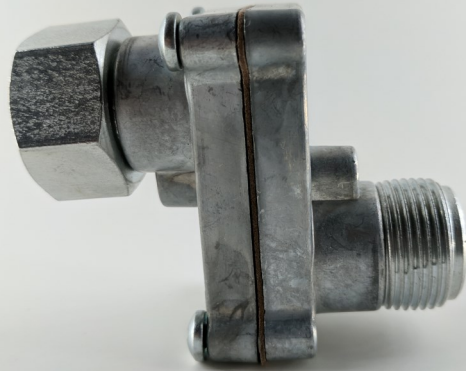
ALL ADAPTERS HAVE 7/8—18 FITTINGS

PART #	SIZE	RATIOS AVAILABLE
700F-(RATIO)	0.104 SQ	0.3352 - 2.9830
700X-(RATIO)	0.187 TANG	0.3352 - 2.9830
700B-(RATIO)	0.203 TANG	0.3352 - 2.9830

FULL RANGE OF RATIOS AVAILABLE ON PAGE 14-15
ADAPTER KEYS AVAILABLE ON PAGE 13

Off-Set Adapters

ALL ADAPTERS HAVE 7/8-18 FITTINGS



PART #	SIZE	RATIOS AVAILABLE
800F-(RATIO)	0.104 SQ	0.3352 - 2.9830
800X-(RATIO)	0.187 TANG	0.3352 - 2.9830
800B-(RATIO)	0.203 TANG	0.3352 - 2.9830

FULL RANGE OF RATIOS AVAILABLE ON PAGE 14-15
ADAPTER KEYS AVAILABLE ON PAGE 13

Straight Dual Drive

ALL ADAPTERS HAVE 7/8-18 FITTINGS

PART #	SIZE	RATIOS AVAILABLE
74JF-(RATIO)	0.104 SQ	0.3352 - 2.9830
74JX-(RATIO)	0.187 TANG	0.3352 - 2.9830
74JB-(RATIO)	0.203 TANG	0.3352 - 2.9830

FULL RANGE OF RATIOS AVAILABLE ON PAGE 14-15
ADAPTER KEYS AVAILABLE ON PAGE 13

Right Angle Adapters

ALL ADAPTERS HAVE 7/8-18 FITTINGS

PART #	SIZE	RATIO
400F-0.500	0.104 SQ	0.500
400X-0.500	0.187 TANG	0.500
400B-0.500	0.203 TANG	0.500
400F-0.666	0.104 SQ	0.666
400X-0.666	0.187 TANG	0.666
400B-0.666	0.203 TANG	0.666
400F-1.000	0.104 SQ	1.000
400X-1.000	0.187 TANG	1.000
400B-1.000	0.203 TANG	1.000
400F-1.250	0.104 SQ	1.250
400X-1.250	0.187 TANG	1.250
400B-1.250	0.203 TANG	1.250
400F-1.500	0.104 SQ	1.500
400X-1.500	0.187 TANG	1.500
400B-1.500	0.203 TANG	1.500
400F-2.000	0.104 SQ	2.000
400X-2.000	0.187 TANG	2.000
400B-2.000	0.203 TANG	2.000



Dual Right Angle Adapters

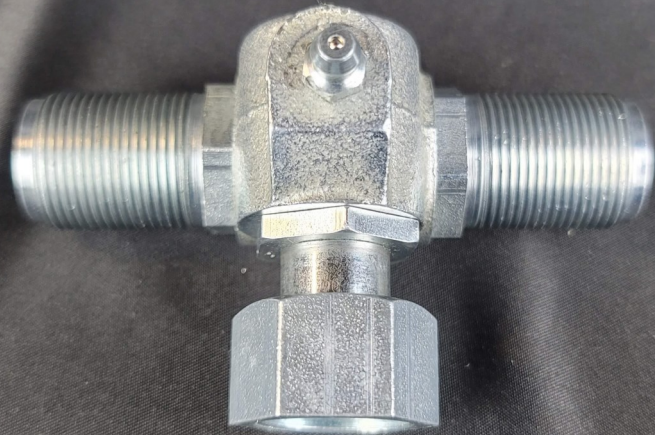
ALL ADAPTERS HAVE 7/8—18 FITTINGS



PART #	SIZE	RATIO
500F-0.500	0.104 SQ	0.500
500X-0.500	0.187 TANG	0.500
500B-0.500	0.203 TANG	0.500
500F-0.666	0.104 SQ	0.666
500X-0.666	0.187 TANG	0.666
500B-0.666	0.203 TANG	0.666
500F-1.000	0.104 SQ	1.000
500X-1.000	0.187 TANG	1.000
500B-1.000	0.203 TANG	1.000
500F-1.250	0.104 SQ	1.250
500X-1.250	0.187 TANG	1.250
500B-1.250	0.203 TANG	1.250
500F-1.500	0.104 SQ	1.500
500X-1.500	0.187 TANG	1.500
500B-1.500	0.203 TANG	1.500
500F-2.000	0.104 SQ	2.000
500X-2.000	0.187 TANG	2.000
500B-2.000	0.203 TANG	2.000






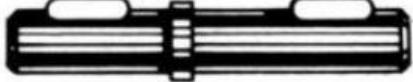


Dual T Angle Adapters

ALL ADAPTERS HAVE 7/8-18 FITTINGS



PART #	SIZE	RATIO
900F-0.500	0.104 SQ	0.500
900X-0.500	0.187 TANG	0.500
900B-0.500	0.203 TANG	0.500
900F-0.666	0.104 SQ	0.666
900X-0.666	0.187 TANG	0.666
900B-0.666	0.203 TANG	0.666
900F-1.000	0.104 SQ	1.000
900X-1.000	0.187 TANG	1.000
900B-1.000	0.203 TANG	1.000
900F-1.250	0.104 SQ	1.250
900X-1.250	0.187 TANG	1.250
900B-1.250	0.203 TANG	1.250
900F-1.500	0.104 SQ	1.500
900X-1.500	0.187 TANG	1.500
900B-1.500	0.203 TANG	1.500
900F-2.000	0.104 SQ	2.000
900X-2.000	0.187 TANG	2.000
900B-2.000	0.203 TANG	2.000

Adapter Keys

PART #	SIZE	DRAWING
HR109	0.187—MALE PADDLE	
HR176	0.172 TANG - 0.104 SQUARE	
HR177	0.172 TANG - 0.150 SQUARE	
HR178	0.172 TANG - 0.156 TANG	
HR179	0.172 TANG - 0.187 TANG	
HR180	0.172 TANG - 0.203 TANG	
HR105	0.187 TANG - 0.187 TANG WITH COLLAR	
HR106	0.187 TANG - 0.187 TANG WITHOUT COLLAR	

Decreasing Ratio Chart

0.3352	0.3474	0.3600	0.3746	0.3860	0.3882	0.3961	0.400
0.4105	0.4135	0.4187	0.4286	0.4314	0.4342	0.4428	0.4445
0.4500	0.4505	0.4562	0.4622	0.4667	0.4681	0.4762	0.4825
0.4853	0.4887	0.5000	0.5018	0.5033	0.5102	0.5108	0.5132
0.5185	0.5200	0.5294	0.5322	0.5357	0.5392	0.5555	0.5608
0.5625	0.5702	0.5710	0.5778	0.5789	0.5833	0.5883	0.5930
0.5952	0.6000	0.6037	0.6050	0.6191	0.6250	0.6303	0.6471
0.6482	0.6500	0.6561	0.6618	0.6667	0.6680	0.6741	0.6800
0.6842	0.6863	0.6923	0.6944	0.6947	0.7143	0.7200	0.7222
0.7334	0.7353	0.7444	0.7467	0.7500	0.7511	0.7556	0.7647
0.7693	0.7714	0.7719	0.7754	0.7765	0.7778	0.7786	0.7895
0.8000	0.8095	0.8105	0.8210	0.8242	0.8319	0.8333	0.8400
0.8462	0.8500	0.8571	0.8628	0.8654	0.8667	0.8684	0.8769
0.8797	0.8815	0.8824	0.8889	0.8947	0.8975	0.9000	0.9059
0.9123	0.9184	0.9273	0.9334	0.9444	0.9458	0.9524	0.9579
0.9615	0.9643	0.9649	0.9706	0.9743	0.9288	1.000	-

Increasing Ratio Chart

1.000	1.0181	1.0263	1.0303	1.0364	1.0370	1.0400	1.0439
1.0500	1.0574	1.0588	1.0714	1.0784	1.0888	1.0961	1.1038
1.1110	1.1143	1.1177	1.1250	1.1333	1.1344	1.1367	1.1404
1.1515	1.1538	1.1555	1.1590	1.1666	1.1763	1.1818	1.1905
1.2000	1.2020	1.2133	1.2180	1.2338	1.2352	1.2500	1.2666
1.2844	1.2857	1.2878	1.2895	1.2955	1.2963	1.3000	1.3077
1.3235	1.3313	1.3333	1.3393	1.3434	1.3600	1.3636	1.3846
1.3888	1.4000	1.4395	1.4400	1.4444	1.4571	1.4616	1.4706
1.4835	1.4970	1.5000	1.5111	1.5242	1.5384	1.5428	1.5454
1.5867	1.6000	1.6152	1.6530	1.6564	1.6667	1.6800	1.6863
1.7000	1.7142	1.7274	1.7307	1.7515	1.7538	1.7777	1.7831
1.8000	1.8545	1.8666	1.8792	1.8889	1.9231	1.9285	1.9487
1.9577	1.9600	1.9870	1.9928	2.0000	2.0461	2.0606	2.0725
2.1000	2.1360	2.1427	2.1636	2.1923	2.2198	2.2222	2.2500
2.2587	2.3030	2.3181	2.3333	2.3884	2.4184	2.4359	2.5000
2.5250	2.5760	2.5910	2.6690	2.7780	2.8790	2.9830	-

Veeder-Root Counters



Counters with threaded boss are 7/8-18 threading

PART #	THREADED BOSS	RATIO
01953160-51K	YES	1:1
01953160-51	NO	1:1
0116425-011	YES	1:1.6
0116425-007	NO	1:1.6



RECORD
TECHNOLOGIES



www.recordtechnologies.com
orders@recordtechnologies.com



1-800-661-1649