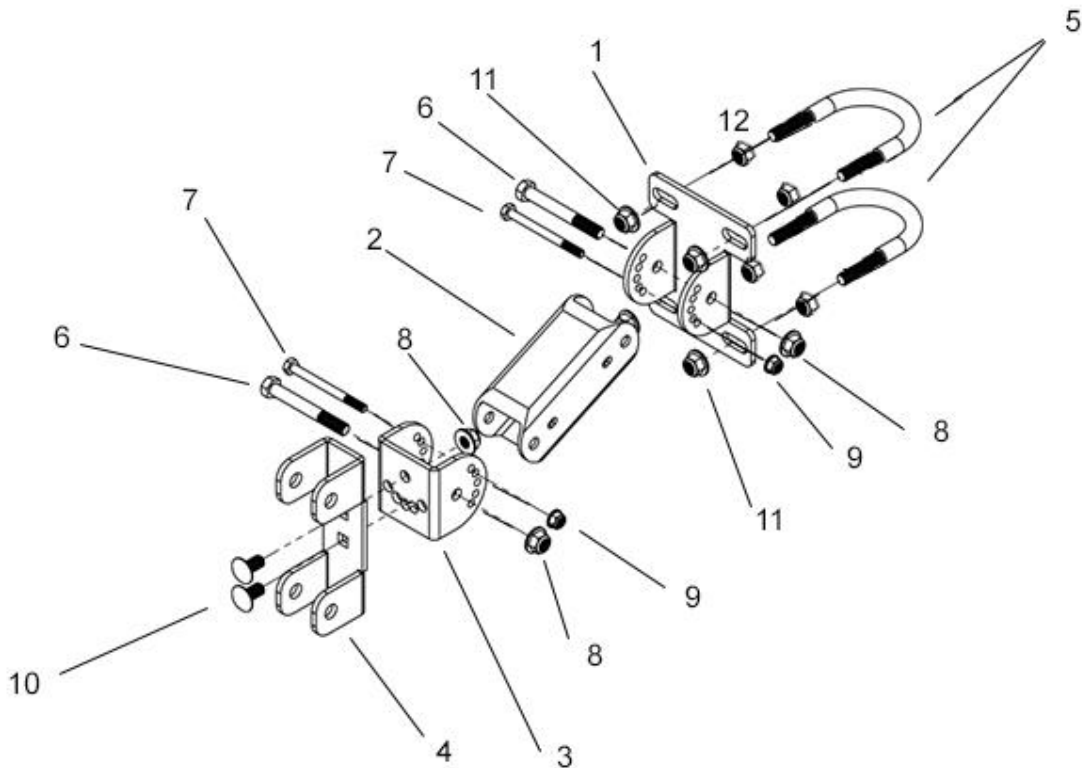




# ZT-BH ADAPTOR ASSEMBLY INSTRUCTIONS

# ASSEMBLY INSTRUCTIONS

ITEM #	PART #	Description	Qty.
1	ZT-001	ZT Bracket	1
2	ZT-002	ZT Neck	1
3	ZT-003	C Bracket	1
4	ZT-004	Adaptor	1
5	738	3/8" - 16 x 2" U-bolt	2
6	248	3/8" - 16 x 3" Cap Screw	2
7	250	1/4" - 20 x 3" Long Cap Screw	2
8	307	3/8" - 16 Flange Locknut	4
9	331	1/4" - 20 Flange Locknut	2
10	103	3/8" - 16 x 3/4" Carriage Bolt	2
11	302	3/8" - 16 Nylon Lock Nut	4
12	330	3/8" - 16 Hex Nut	4



**\*\*\* This product is an adaptor bracket intended to be used with a Jungle Jim's 1BH.**

1. Attach the ZT-Bracket (1) to the ZT-Neck (2) using one 3/8" – 16 x 3" Cap screw (6) and one 3/8" – 16 Flange lock nut (8) in the large hole in the middle of the bracket tabs. To adjust the angle of the neck, use one 1/4" – 20 x 3" Cap screw (7) and one 1/4" – 20 flange lock nut (9) in one of the five smaller holes.
2. Attach the ZT-Neck (2) to the C Bracket (3) using one 3/8" – 16 x 3" Cap screw (6) and one 3/8" – 16 Flange lock nut (8) in the large hole in the middle of the bracket tabs. To adjust the angle of the neck, use one 1/4" – 20 x 3" Cap screw (7) and one 1/4" – 20 flange lock nut (9) in one of the five smaller holes.
3. Attach the Adaptor (4) to the C-Bracket (3) using two 3/8" – 16 x 3/4" Carriage bolts (10) and two 3/8" – 16 Flange lock nut (8).
4. Prior to mounting onto roll bar, screw two 3/8" – 16 hex nuts (12) onto each u-bolt (5).
5. Select desired location on your roll bar. Attach the assembled unit to the roll bar by sliding it on each u-bolt (5) and fastening in place using two 3/8" – 16 nylon lock nuts (11).
6. To install 1BH to the adaptor, use two each of the 3/8" - 16 Hex Flange Nuts (10) and 3/8 " – 16 x 2 1/2" Hex Cap Screws (13) **FROM THE 1BH HARDWARE KIT** to attach the ZT-BH adaptor to the 1BH.

For safety, please ensure that all bolts are tightened on the assembly prior to placing your backpack blower into the unit.