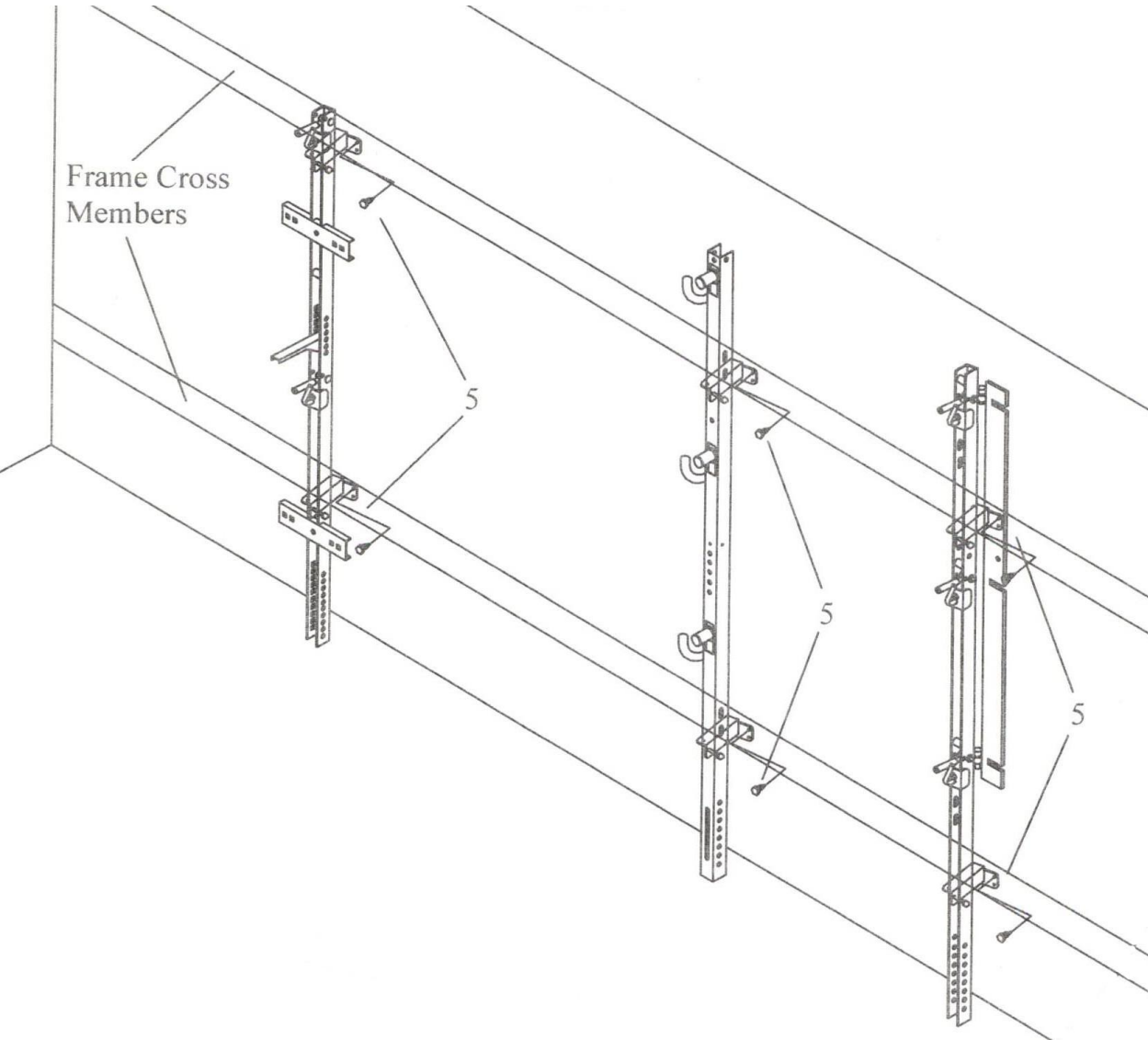




WM-KIT ASSEMBLY INSTRUCTIONS

Parts List

ITEM #	PART NUMBER	DESCRIPTION	QTY
1	WM-BRKT	Wall Mount Bracket	2
2	227	1/4"-20 X 2 1/4" Hex Cap Screw	2
3	400	1/4" Flat Washer	2
4	314	1/4"-20 Reverse Lock Nut	2
5	220	#14 x 1 1/4" Self Tapping Screw	8



02)244-7934

REV.A - 6-21-17

ASSEMBLY & MOUNTING INSTRUCTIONS

Tools Required: Drill with 3/8" chuck, 3/16" drill bit, 3/8" or equivalent wrench

1. Locate the studs or frame cross members in your trailer walls and determine if they run horizontally or vertically. If they run horizontally, attach the wall mounting brackets to the Trimmer Rack or Blower Holder poles as shown in the figure below. If the studs run vertically, rotate the brackets so that the 4 mounting holes are oriented vertically. Use the provided 1/4"-20 x 2 1/4 bolts with the 1/4" flat washers through the 1/4" holes in the pole. Secure the brackets with the provided 1/4"-20 lock nuts.

Note on early model Gear Caddys: On Gear Caddys constructed out of square tubing, you will need to drill 1/4" holes through the sides of the poles to attach the wall mount brackets. Drill the holes 4 1/2" down from the top of each pole and 8" up from the bottom of each pole. Attach the wall mount brackets to the poles as shown above.

2. Poles can be positioned on the trailer to suit your space needs or requirements; however, the bottom figure shows a suggested mounting detail. The pole should be positioned so that the brackets are attached to the studs or frame cross members in the trailer walls. (Please note, for trimmer racks, the locking pole MUST be installed to the right of the compression pole and there must be approximately 12" of clearance between the top of trimmer rack and the ceiling of the trailer.) Once a suitable location is found, hold the pole against the wall and mark where the pilot holes need to be drilled. Drill 3/16" pilot holes into the frame cross members or studs in the trailer walls.
3. Mount the poles to the wall by using the #14 x 1 1/4" self tapping screws through the mounting brackets and into the cross members or studs. Use 4 screws to secure each bracket to the wall. For blower holders, the blower tube holders will have to be mounted to the wall using #14 x 1 1/4" self tapping screws with 1/4" flat washers (not provided).

