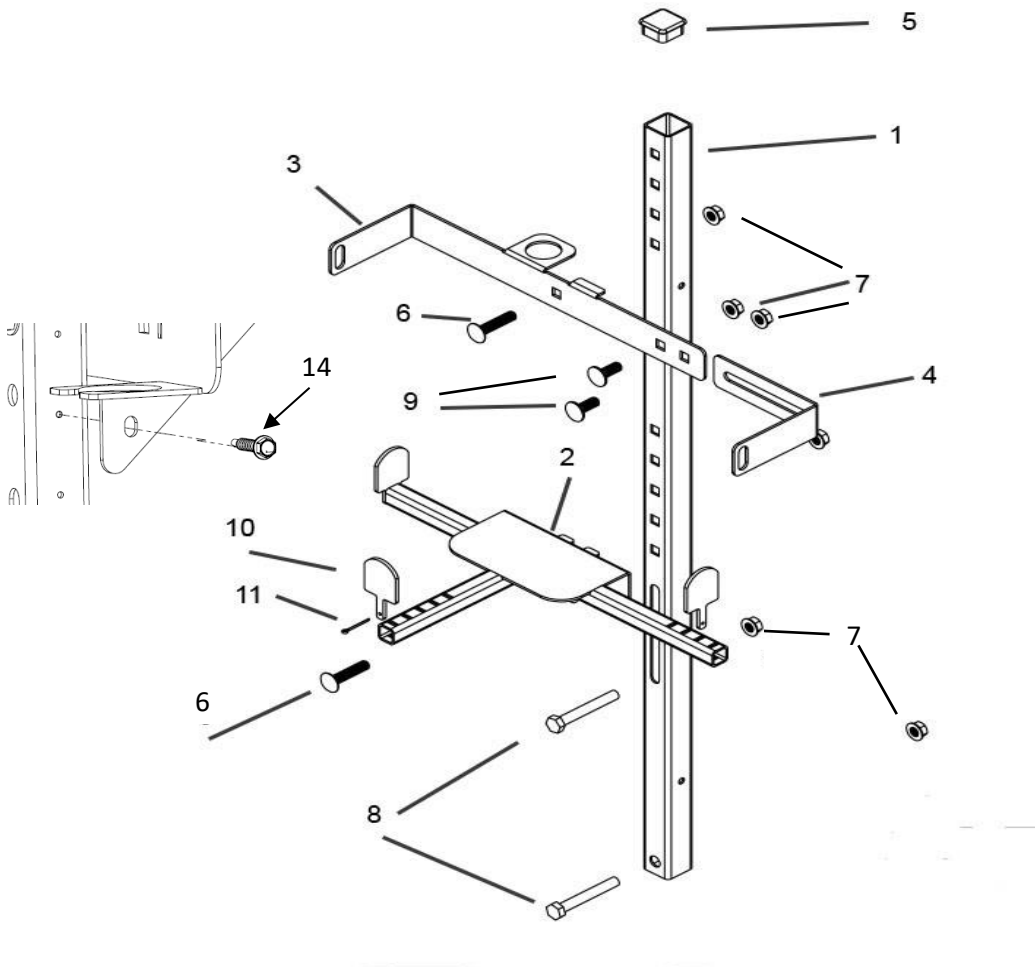




# SPRACK ASSEMBLY INSTRUCTIONS

# HARDWARE

ITEM #	QTY	PART #	DESCRIPTION
1	1	SP-MC2	Sprack Post
2	1	SP-BOTTOM ASSY	Sprack Bottom
3	1	SP-CRADLE	Sprack Cradle
4	1	SP-CRADLE EXT	Sprack Cradle Extension
5	1	739	Sprack Cap
6	2	123	3/8" – 16 x 1.75" Carriage Bolt
7	6	307	3/8" – 16 Hex Flange Nut
8	2	207	3/8 – 16 x 2.25" Hex Cap Screw
9	2	104	3/8" – 16 x 3/4" Carriage Bolt
10	3	SP-STOP	Adjustable Stop
11	3	824	7/64" x 1" Cotter Pin
12	2	717	30" Webstrap (not shown)
13	1	705	Snap Buckle male/female (not shown)
14	1	220	1 1/4" Self Tapper
15	4	703	Triglidge Fastner (not shown)



# ASSEMBLY

## **Step 1**

Attach (#4) Sprack Cradle Extension to the (#3) to the Sprack Cradle using two (#9) 3/8" – 16 x 3/4" Carriage Bolt (104) and two (#7) 3/8"–16 Hex Flange Nut (307).

## **Step 2**

Attach the cradle assembly (#3 + #4) to the (#1) Sprack post using one (#6) 3/8" – 16 x 1.75" Carriage Bolt (123) and one (#7) 3/8"–16 Hex Flange Nut (307).

## **Step 3**

Attach the (#2) Sprack bottom to the (#1) Sprack post using one (#6) 3/8" – 16 x 1.75" Carriage Bolt (123) and one (#7) 3/8"–16 Hex Flange Nut (307). Use (#14) Self Tapper screw and gently tap into hole that aligns in the Sprack post.

## **Step 4**

Place your sprayer on the bottom assembly & note which slots will create a snug fit for you sprayer. Attach all three (#10) stops (SP-STOP) using the (#11) cotter pins (824).

## **Step 5**

Insert (#5) cap onto Sprack post.

## **Step 6**

Position the Sprack in the desired location on your trailer and mark the top and bottom rails where the holes need to be drilled. Drill 3/8" holes & mount using two (#8) 3/8 – 16 x 3" Hex Cap Screw (207) and two 3/8"–16 Hex Flange Nut (307).

## **Step 7**

Assemble the straps: Scan QR CODE or go to:

[https://www.youtube.com/watch?v=F9EU\\_a3pOzM&t=119s](https://www.youtube.com/watch?v=F9EU_a3pOzM&t=119s)

