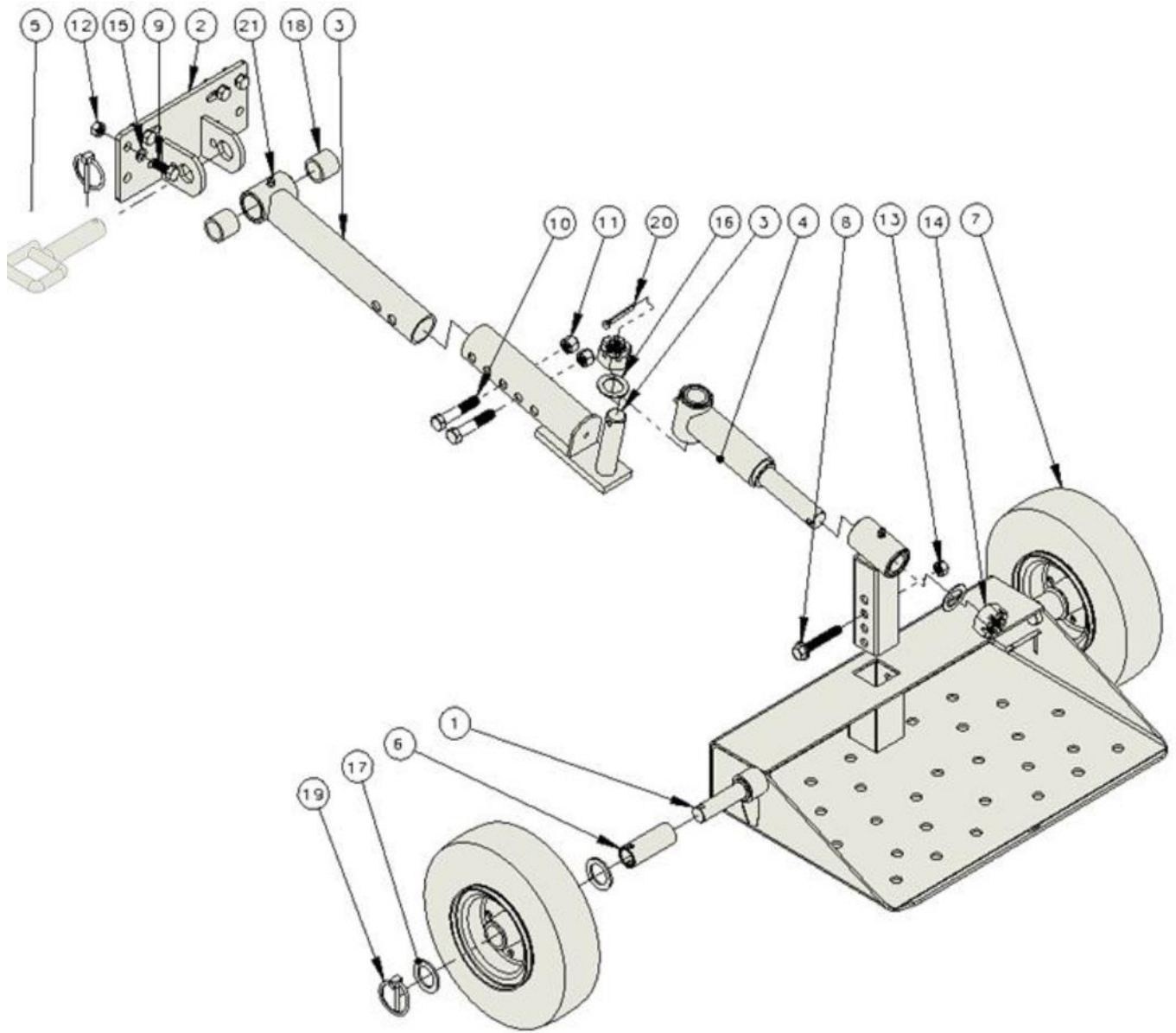




JUNGLE WHEELS ASSEMBLY INSTRUCTIONS



ITEM NO.	PART NUMBER	DESCRIPTION	QTY	ITEM NO.	PART NUMBER	DESCRIPTION	QTY
1	JW-PLATFORM	JW PLATFORM WELDMENT	1	12	307	10mm HEX FLANGED NUT	4
2	JW-BRACKET	Jungle Wheels Mounting Bracket	1	13	311	HEX LOCK NUT 3/8"-16	1
3	JW-FOREARM	Jungle Wheels, Forearm	1	14	329	7/8"-14 SLOTTED HEX NUT	2
4	JW-REARARM	JW REARARM	1	15	416	10mm SPRING LOCK WASHER	4
5	JW-PIN3	7/8" x 3 1/2" Grip Pin	1	16	419	7/8" x 1 3/8" PIVOT WASHER	2
6	JW-SPAN2 C	JW, Axle Spanner	2	17	420	WHEEL WASHER 1" X 1 1/2"	4
7	900	Wheel Assembly	2	18	714-C	OIL GLIDE BUSHING 1 1/8" OD, 7/8" ID, 1"	6
8	120	SERRATED FLANGE CAP SCREW 3/8"-16, 2-1/4"L	1	19	801	3/16" x 1 1/4" LYNCH PIN	3
9	203	10mm x 25mm HEX CAP SCREW	4	20	822	COTTER PIN 3/16"X1-3/4"	2
10	215	12mm X 60mm HEX CAP SCREW	2	21	902	1/4"-28 STRAIGHT GREASE ZERK	3
11	306	12mm HEX NYLON LOCKING NUT	2				

ASSEMBLY

BRACKET PLACEMENT

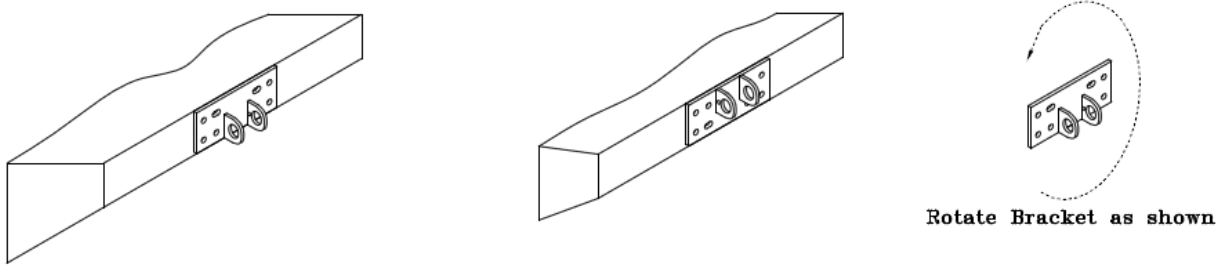


Figure 1 Bracket Placement

When mounting the Jungle Wheels, use the position that will place the platform closest to a 10 to 15 degree angle, or in a manner that brings the platform to a level position when the operator is standing on the unit.

Procedures:

- 1 Read the safety literature at the end of these instructions before installation or use.
- 2 Bracket must be attached to back deck of mower in a horizontal position.
- 3 Be sure bracket is centered before drilling holes.
- 4 When drilling, make sure there are no obstructions under the mower, and face bolts out if necessary.
- 5 Attach bracket using 4 bolts, lock washers, and nuts. Drill holes if necessary into the frame of mower.
- 6 After bracket is mounted and Jungle Wheel is attached, be sure the standing platform is at a level position.
- 7 If there are any questions on installation, please call (888) 844-5467 before proceeding.

PLATFORM ASSEMBLY

- 1 Insert platform neck into the platform weldment, line up the holes and secure with 2 ¼" cap screw and bolt.
- 2 Slide platform pivot onto neck. Slide 7/8" washer onto pivot and screw on 7/8" hex nut and lock into place by inserting cotter pin through the slot in the nut and hole in the pivot arm.
- 3 Slide a wheel assembly on the axle on the each side of the platform. Slide on a 1 ½" washer and secure wheels on the axle with lynch pins.

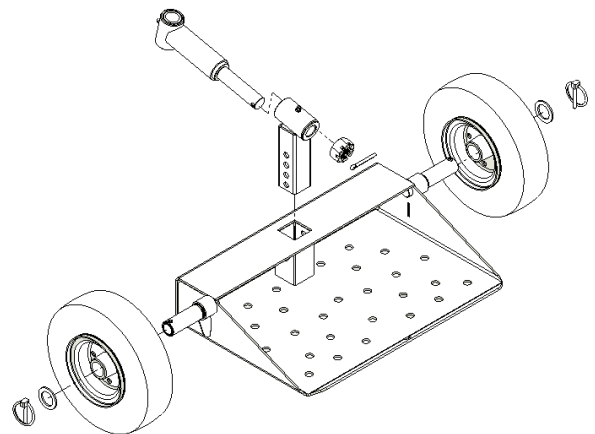
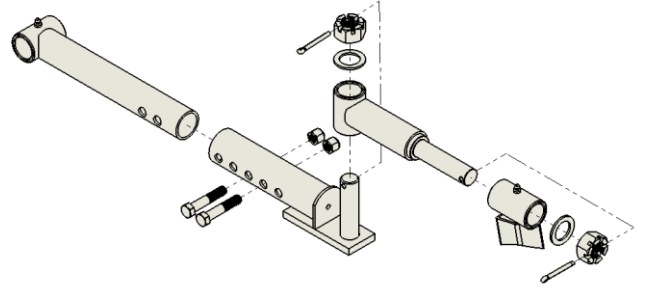


Figure 2 Platform assembly.

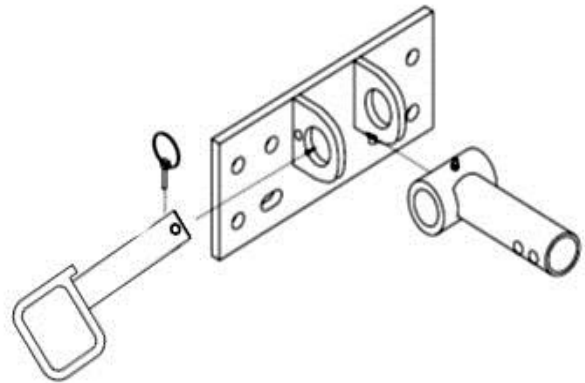
ARM ASSEMBLY

- 1 Slide platform pivot onto shaft.
- 2 Slide 35mm washer onto shaft.
- 3 Tighten slotted hex nut onto thread and lock with cotter pin.
- 4 Be certain to tighten the bolts in the adjustable arm before use.



BRACKET ATTACHMENT

- 1 Insert clevis pin through bracket holes while insuring that the key is inserted into the key hole.
- 2 Insert lynch pin through the clevis pin.



SAFETY

IMPORTANT: PLEASE READ BEFORE OPERATION OF THE JUNGLE JIM'S TWO WHEEL SULKY!!!

- 1 Operator must be completely comfortable with the operation of the mower before using the Jungle Jim's Two Wheel Sulky.
- 2 Make sure all automatic shut-offs and/or safety controls are in working condition on the mower.
- 3 Make sure all parts are in working condition and the Jungle Jim's Two Wheel Sulky is fully assembled and installed according to instructions provided.
- 4 Operator must stand only on the safety platform. Do not attempt to sit or kneel on any part of the product. Keep feet inside toe guard while the Jungle Jim's Two Wheel Sulky is in motion.
- 5 Do not attempt to get on or off the Two Wheel Sulky while it is in motion.
- 6 Make sure the Two Wheel Sulky has a snug fit under the mower without interfering with any of the mower functions or controls when transporting in the hooked-up position.
- 7 Do not attempt to ride the Two Wheel Sulky when loading the mower onto the trailer or any other steep grade which might cause the platform to snag, bend, or break!
- 8 Operate the Two Wheel Sulky at a slow pace until comfortable with operation. It is recommended to continue operation at a pace comparable to a comfortable walk. Attempt reverse direction only after operator is completely comfortable with the operation of the Two Wheel Sulky, and at a slow pace.
- 9 Foot protection must be worn. It is recommended that the operator wear a durable work boot.
- 10 Do not operate around persons who are not aware of the situation.
- 11 Only one operator on the Two Wheel Sulky at a time.
- 12 Operator must be alert at all times for sudden stops to avoid losing balance or falling off equipment.
- 13 All operators must read and fully understand these safety guidelines before using Jungle Jim's Two Wheel Sulky.