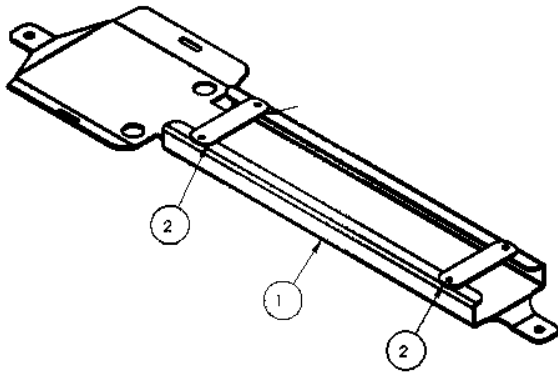




# JUNGLE SHEATH ASSEMBLY INSTRUCTIONS



Part #	Description	Quantity
203	3/8" – 16 x 1" HCS	2
307	3/8" – 16 Flange Nut	2
416	3/8" Lock Washer	2
708	18" Chain	1
703	Poly Triglide Fasteners	2
705	Snap Buckle Male/Female	1
717	30" Web Strap	2

## ASSEMBLY INSTRUCTIONS

- 1 Select desired location on the trailer rail. Mark the mounting holes (on the ends of the unit) on the rail. Remove Jungle Sheath and drill holes in the rail using a 3/8" drill bit.
- 2 Mount Jungle Sheath to the rail using 2 (#203) 3/8" – 16 x 1 HCS, 2 (#416) 3/8" Lock washers, and 2 (#307) 3/8" – 16 Flange Nuts.
- 3 Place chain through chain holes on the sides for use in securing your equipment using a padlock (not included).
- 4 See attached instructions for assembling the straps.

### Assemble the straps:

- 1 Insert one 30" strap through the right side of Sprack Cradle Assembly.
- 2 Pull strap so that both sides are even.
- 3 Insert only the right side of the strap through the right side of one of tri-glide fastener.
- 4 Follow the same strap over and through the same tri-glide.
- 5 Slide the tri-glide to the center of the strap.
- 6 Insert both ends of the strap through the left slot of the male buckle.
- 7 Insert both ends of the strap over and through the right slot of the male buckle.
- 8 Insert both ends of the strap up and through the left side of the tri-glide.
- 9 Insert both ends of the strap over and through the right side of the tri-glide. Right side is now complete.
- 10 Repeat steps 1 – 9 using the female buckle, second strap and second tri-glide.
- 11 Insert sprayer on base and buckle straps.
- 12 Adjust strap size using tri-glide fasteners so that the hedge trimmer/chain saw is held securely in the holder.