



JUNGLE JACK ASSEMBLY INSTRUCTIONS

SAFETY

IMPORTANT: READ BEFORE OPERATION OF THE JUNGLE JACK

1. Please read **ALL** instructions before using your Jungle Jack. The following are safety specifics, but do not limit yourself to just these. Please use common sense!
2. Be sure machine is not running, when using Jungle Jack.
3. Never use Jungle Jack on inclined, uneven or unstable ground. (i.e. grass, dirt, gravel or soft asphalt)
4. **NEVER** place your head underneath the machine, while using the Jungle Jack.
5. All personnel must stay clear of the machine while lifting or lowering the machine with the Jungle Jack.
6. In the event that the Jungle Jack should fall for any reason, be sure that you are not underneath the machine.
7. When lifting any piece of machinery, make sure the lifting tooth contacts the machine on a strong part of the frame that will support the weight of the machine (please see attached drawing).
8. Before implementing the safety arm, place jack stands underneath the mower.
9. **DO NOT** work on any machine, supported by the Jungle Jack, without the Safety Arm locked down.
10. The Jungle Jack has a capacity of 800 lbs. at the lifting point. Exceeding this weight could cause serious injury or death.

DO NOT exceed the rated capacity.

11. Never operate the Jungle Jack while tired or on medication.

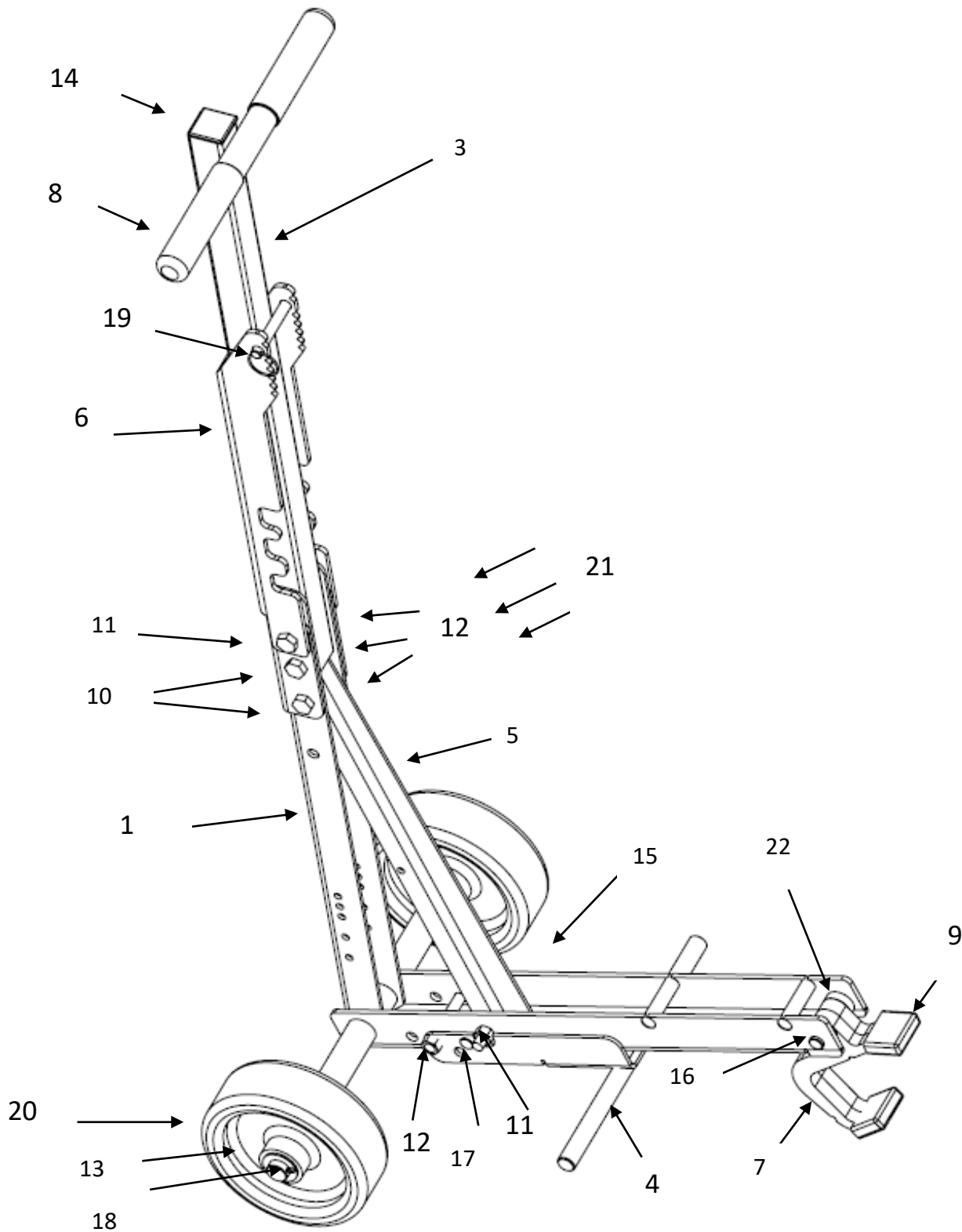
JUNGLE JACK PARTS LIST

ITEM NO.	PART NUMBER	DESCRIPTION	QTY.
1	JJ-FRAME3	FRAME ASSEMBLY	1
2	JJ-LFAR	Large Foot Assist Reinforcement	1
3	JJ-HANDLE	Handle Assembly	1
4	JJ-SAFETY3	Safety Arm	1
5	JJ-JB3	Jungle Jack, Brace 3	1
6	JJ-FA	FOOT ASSIST	1
7	JJ-TOOTH WELD	New Tooth Weldment	1
8	VINYL-JJ GRIP	Rigid Vinyl Hand Grip	2
9	JJ-VINYL	3/8" x 1½" x 1¼" Vinyl	2
10	207	3/8-16 x 2-1/2" Hex Cap Screw	3
11	209	3/8-16 x 3" Hex Cap Screw	3
12	311	HEX LOCK NUT 3/8"-16	6
13	409	1¼" OD x 3/4" ID Washer	2
14	706	1.250 SQ. Tubing Plastic Cap	1
15	805	0.093" x 2" Hitch Pin	1
16	802	3/8" x 2¼" Clevis Pin	1
17	803	5/16" x 3" Clevis Pin	1
18	807	1/8" x 1" Cotter Pin	3
19	818	3/8" x 2-7/8" Detent Ring Pin	1
20	911	New Style Jack Wheel	2
21	826	18mm Nylon Washer	3
22	JJ-TSPACER	TOOTH SPACER	2

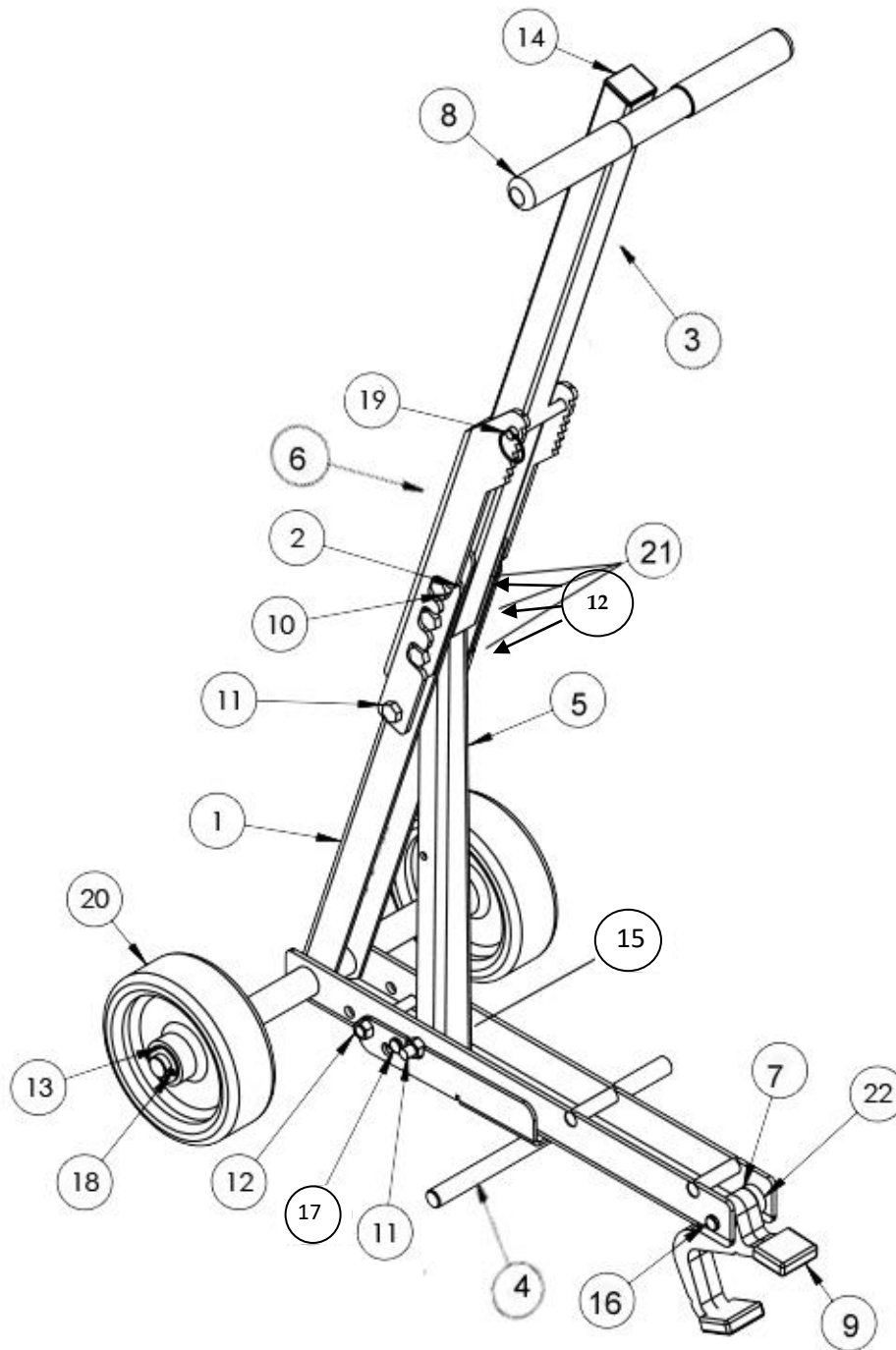


Scan for Instructional Video!!

JUNGLE JIMS JUNGLE JACK ASSEMBLY (For Heavier Mowers)

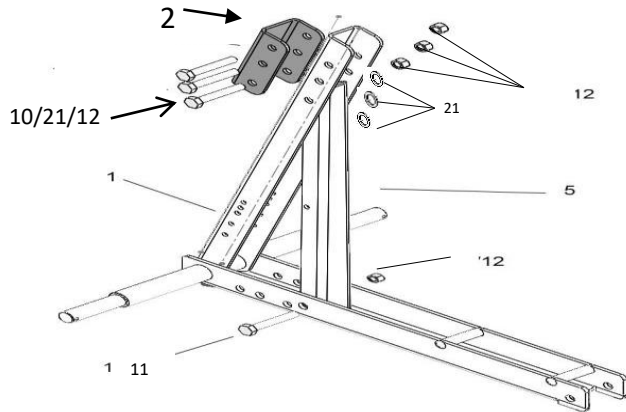


JUNGLE JIMS JUNGLE JACK ASSEMBLY (For Lighter Mowers)



ASSEMBLY

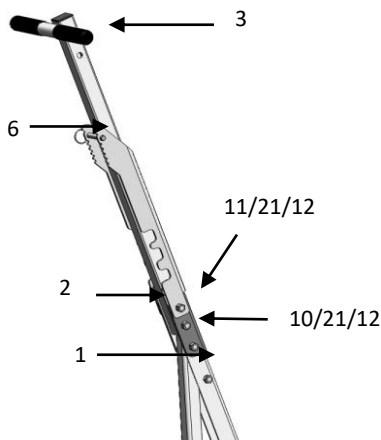
CROSS BRACE ATTACHMENT



1. Attach the cross brace (5) and foot assist reinforcement (2) through the lowest of the three sequential holes to the top of the frame assembly (1) using one, 2.50" HCS (10), 18mm nylon washer (21) (for added stability) and 3/8"-16 nylon nut (12). ****The nylon washer must be placed on the outside of the cross brace (5) but inside of the frame assembly (1).**
2. Attach the cross brace (5) and the foot assist reinforcement (2) to the bottom of the frame assembly (1) using one 3" HCS (11) and one 3/8"-16 nylon nut (12). **IF ASSIST DOES NOT LINE UP FLIP AROUND**

HANDLE ATTACHMENT

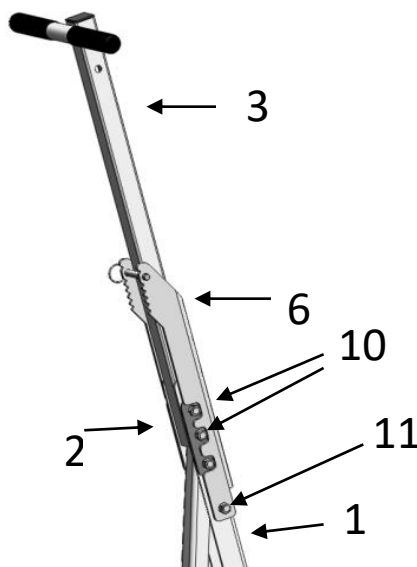
FOR HEAVIER MOWERS follow these directions



1. Connect the handle assembly (3), foot assist reinforcement (2) and the Foot Assist (6) to the frame assembly (1) using one 3" bolt (11) one 18mm nylon washer (21) and one 3/8"-16 nylon nut (12) in the top hole. In the second sequential hole use a 2.5" HCS (10). Make sure handle grips are on the same side as the cross brace. ****Make sure the nylon washer is outside of the handle assembly (3) but inside the frame assembly (1)**

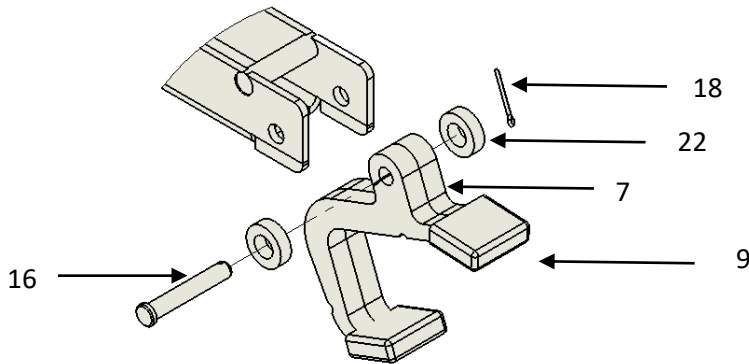
HANDLE ATTACHMENT

FOR LIGHTER MOWERS follow these instructions



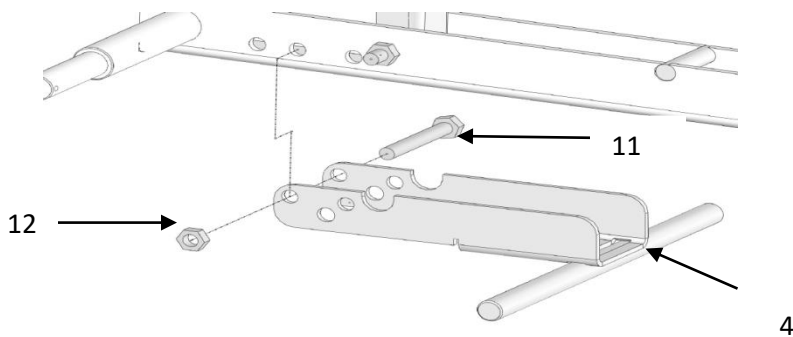
1. Connect the handle assembly (3) to the frame assembly (1) and foot assist reinforcement (2) using 2 2.5" bolts (10) , 2 18mm nylon washers (21) and 2 3/8"-16 nylon nuts (12) Make sure handle grips are on the same side as the cross brace. ****Make sure the nylon washer is outside of the handle assembly (3) but inside the frame assembly (1)**
2. Use the lowest hole to attach the Foot Assist (6) and fasten in place with one 3" bolt (11) and one 3/8"-16 nylon nut (12). Tighten handle to frame using one 2.5" bolt (10), 18mm nylon washer (21) and 3/8"-16 nylon nut (12).

TOOTH ATTACHMENT



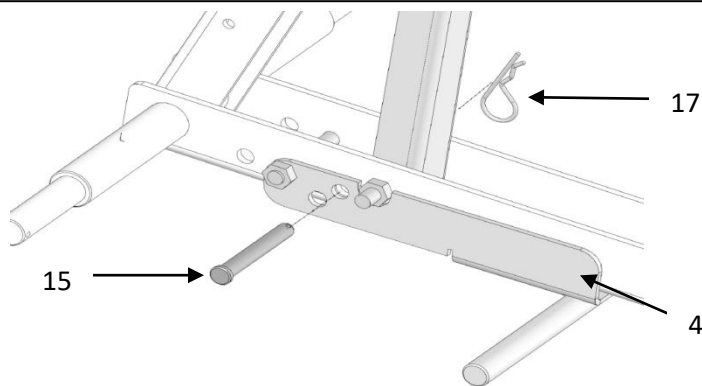
1. Place the vinyl protectors (9) on the tooth assembly (7).
2. Connect the tooth weldment to the end of the frame assembly with two spacers (22) on both sides of the tooth assembly inside the frame (1). The 2.25" clevis pin (16) locks it into place with the cotter pin (18).

SAFETY ARM ATTACHMENT



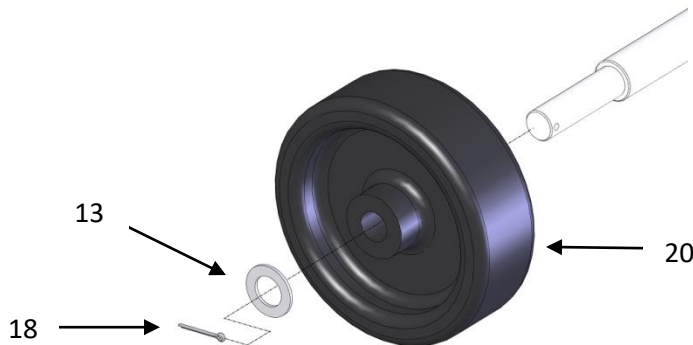
Attach the safety arm (4) to the bottom of the frame assembly through the middle hole with the 3" bolt (11) and 3/8-16 nylon nut (12). Be sure to leave the bolt loose enough to allow the safety arm to flip up and down with ease.

SAFETY ARM ATTACHMENT



To store the safety arm (4) when Jack is not in use, put the 2" hitch pin (15) through the right hole of safety arm and Jack frame. Lock the clevis pin into place with the clevis pin (17).

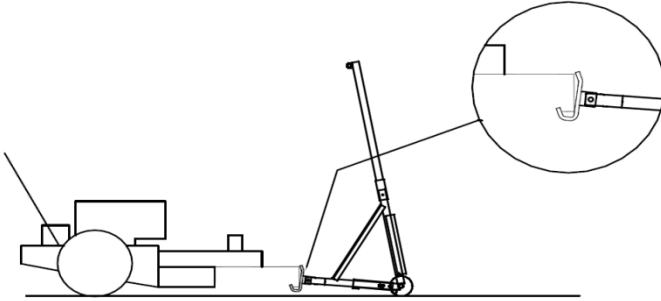
WHEEL ATTACHMENT



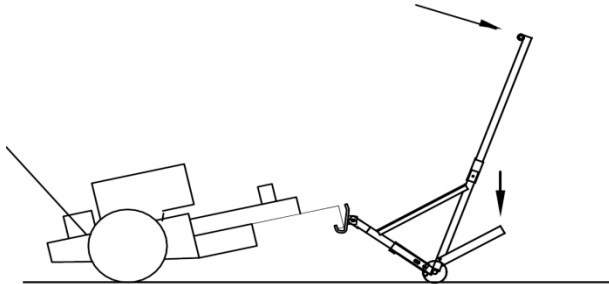
Slide each wheel (20) onto the axle followed by the washer (13). Insert the cotter pin (18) into the hole on the axle and bend it with pliers to secure.

LIFTING INSTRUCTIONS

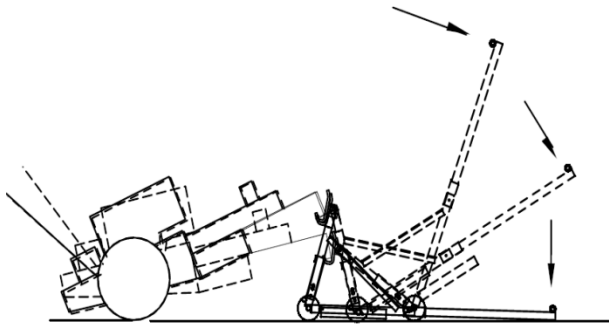
Lifting instructions for the front end of commercial walk behind and zero turn mowers with large baffles on the deck. Note: Follow this same process when lifting from the rear of the mower. Make sure the tooth doesn't come in contact with pulleys or belts when lifting from the rear. This can cause serious damage to the mower.



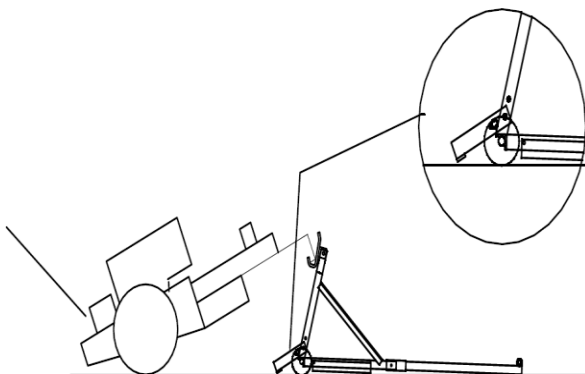
Securely connect the Jungle Jack to the mower deck with the hook as shown.



Apply steady force to the handle to initiate lifting. For heavy machines use the foot assist pedal to aid lifting.

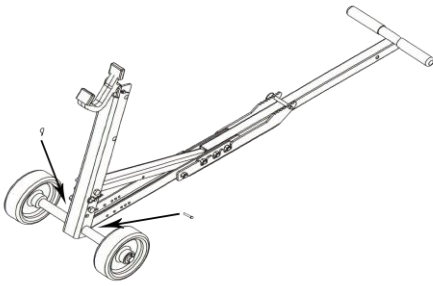


Continue applying force until the Jungle Jack is lying flat on the ground.



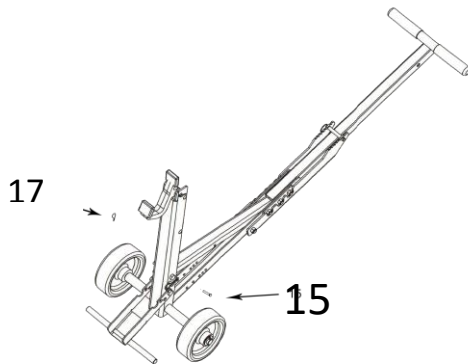
Lock the safety arm in place before operating the machine. **DO NOT** work on any machine supported by the Jungle Jack without the safety arm in position.

Instructions for Safety Arm



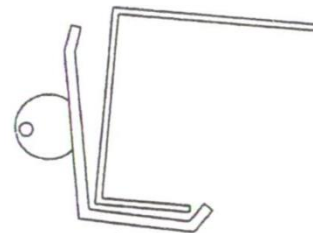
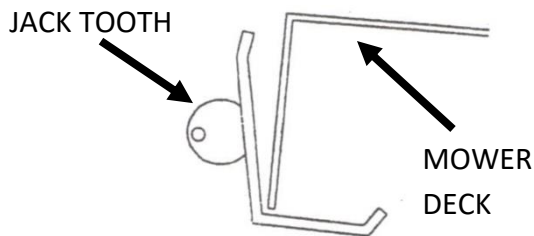
When the *Jungle Jack* is in the raised position, remove the clevis pin (17) and hitch pin (15) from the assembly.

Rotate the Safety Arm (4) down until it contacts the ground. Reinstall the clevis and hitch pin through the round tube welded into the frame.



Refer to the following illustrations for the proper placement of the Jack Tooth under the mower deck or rear frame. This will ensure proper weight distribution to avoid possible tipping.

Correct Placement



Incorrect Placement

