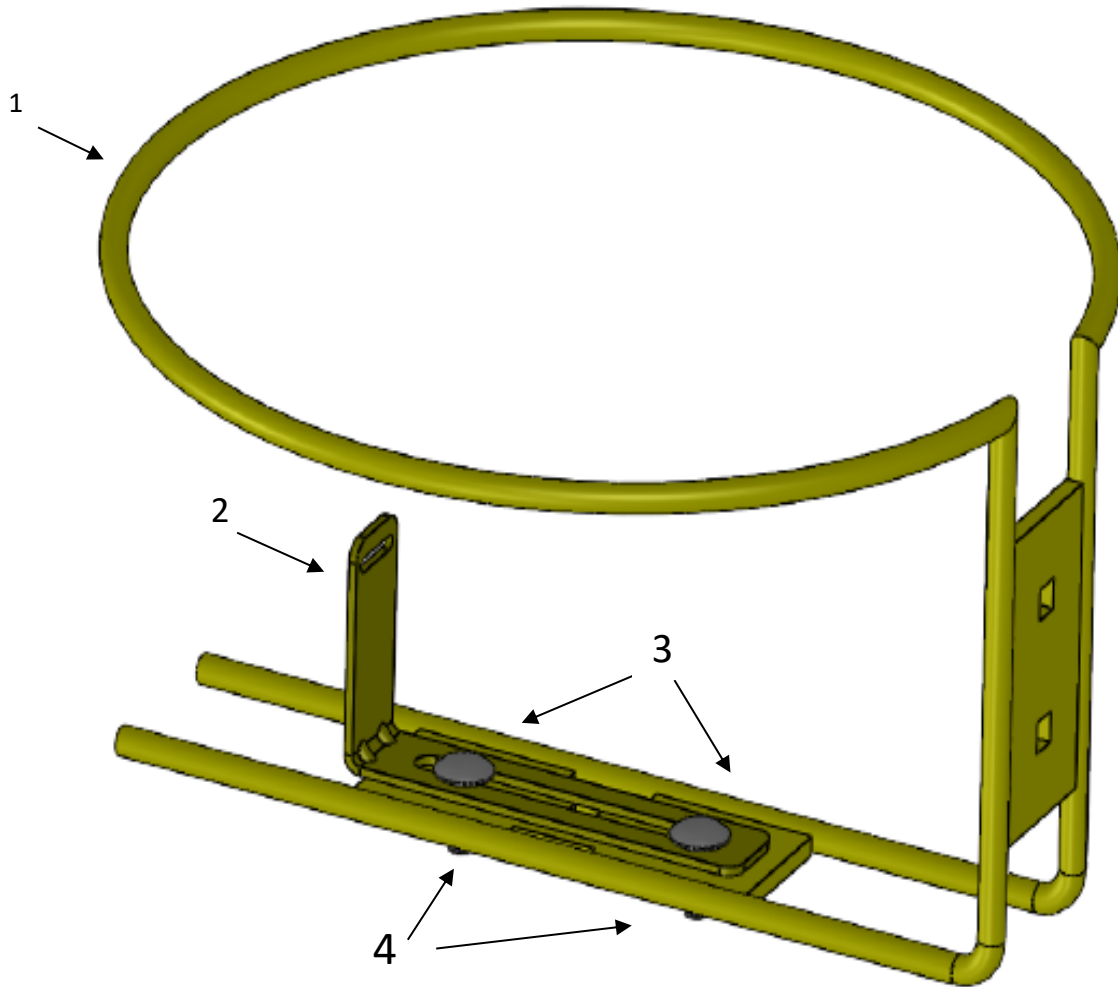




5.0 GALLON ROUND GAS CAN HOLDER INSTRUCTIONS

HARDWARE

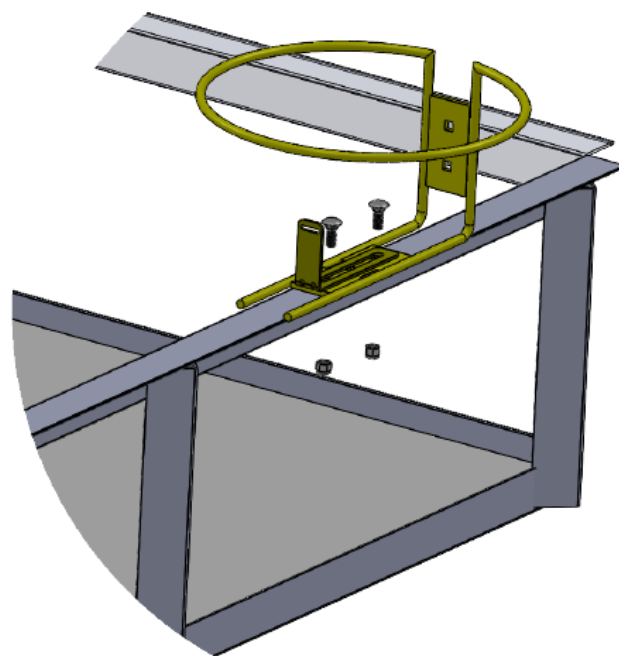
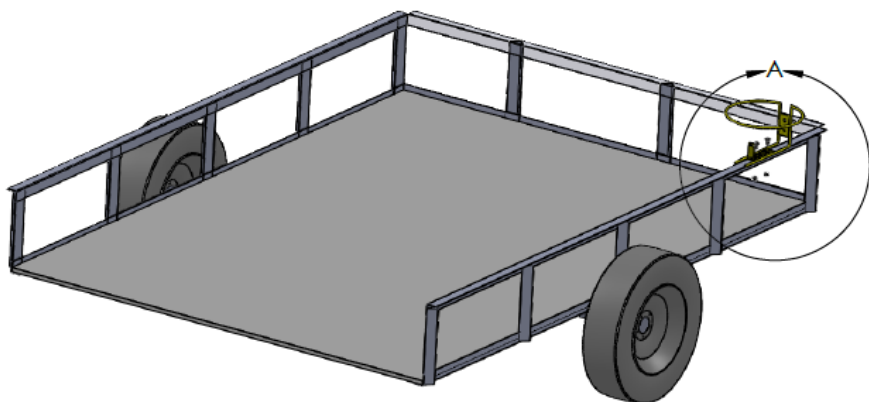
| ITEM # | PART # | DESCRIPTION | QUANTITY |
|-----------|---------------|-------------------------------------|----------|
| 1 | GCH 5.0 ROUND | 3/8" wire frame | 1 |
| 2 | BH-AS | Adjustment bracket | 1 |
| 3 | 105 | 3/8"-16 X 1" carriage bolt | 2 |
| 4 | 302 | 3/8" – 16 nylon lock nut | 2 |
| Not shown | 703 | Tri-glide fasteners (not shown) | 4 |
| | 705 | Snap buckle male/female (not shown) | 1 |
| | 751 | 1" x 45" web straps (not shown) | 2 |



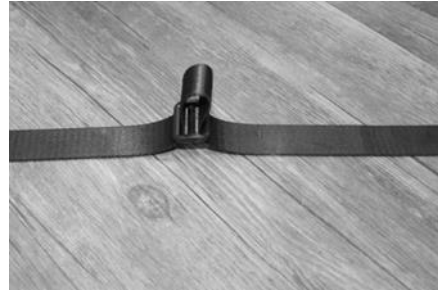
ASSEMBLY

*** NOTE*** Gas can holder may be mounted in an enclosed trailer, on the floor, using the same instructions. Additional holes are provided on the rear side of the holder allowing you to secure the holder to the wall AND the floor, however you will need to purchase 2 (3)'s and 2 (4)'s. Please note: We do **not** recommend mounting on the wall due to the weight of the can when filled with gas.

1. Place gas can holder on the desired location of the trailer rail and mark the spot.
2. Drill the marked spots using a 3/8" drill bit.
3. Align the (1) 3/8" wire frame with the drilled holes and place the (2) adjustment bracket on top. (The adjustment bracket is included for added stability of smaller gas cans that do not touch the sides of the holder. It is attached using the same bolts for mounting (see the following pictures).
4. Attach the frame onto the trailer rail using 2 (2) carriage bolts and 2 (3) nylon lock nuts. Make sure to periodically check nuts and bolts for tightness.
5. You must attach the straps for the gas can to be secured. Instructions below.



1 Take 1 of the 45" straps & thread one end through both sides of a tri-glide fastener as shown:



2 Loop the end through the bottom of the gas can holder exactly as shown:



3 Thread the end back through the tri-glide on top of the strap you inserted in step 1.



4 Using the opposite end of the same strap, repeat step 1.



5 Using the male side of the buckle, thread the strap through the bottom then over the first opening and back through towards the tri-glide. Then feed strap through bottom of tri-glide.



Dimensions

