

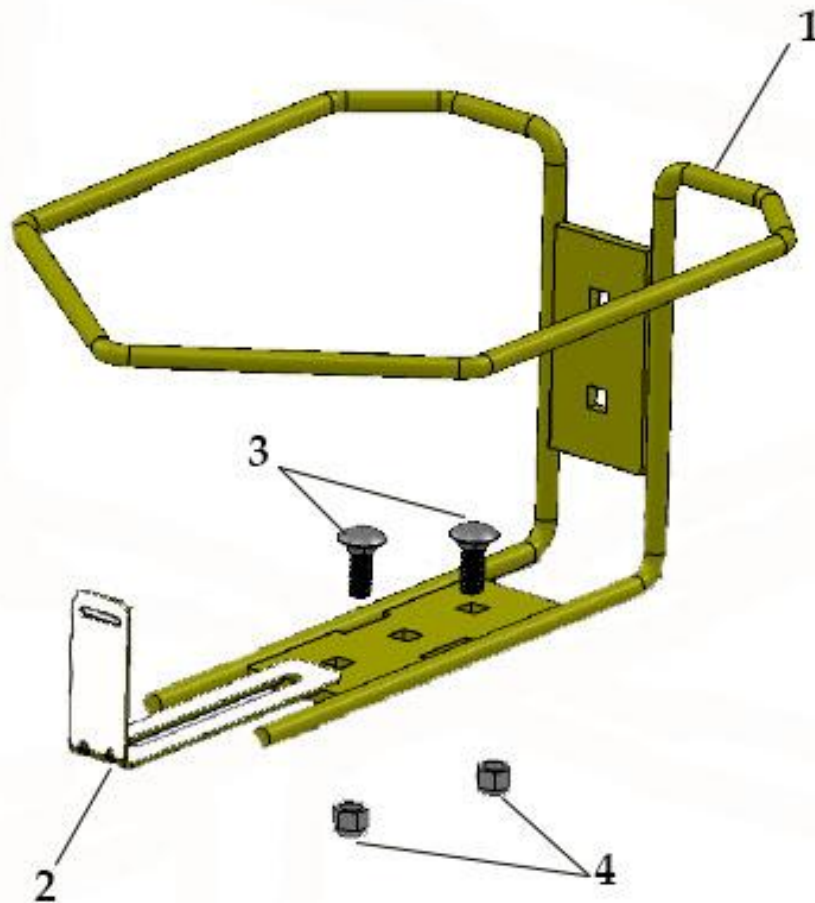


# **2.5- 5.0 GALLON GAS CAN HOLDER INSTRUCTIONS**

# HARDWARE

ITEM #	PART #	DESCRIPTION	QUANTITY
1	2.5 gallon frame	3/8" wire frame	1
2	BH-AS	Adjustment bracket	1
3	105	3/8" – 16 x 1" carriage bolt	2
4	302	3/8" – 16 nylon lock nut	2
Not shown	703	Tri-glide fasteners (not shown)	3
	705	Snap buckle male/female (not shown)	1
	751	1" x 45" web straps (not shown)	2

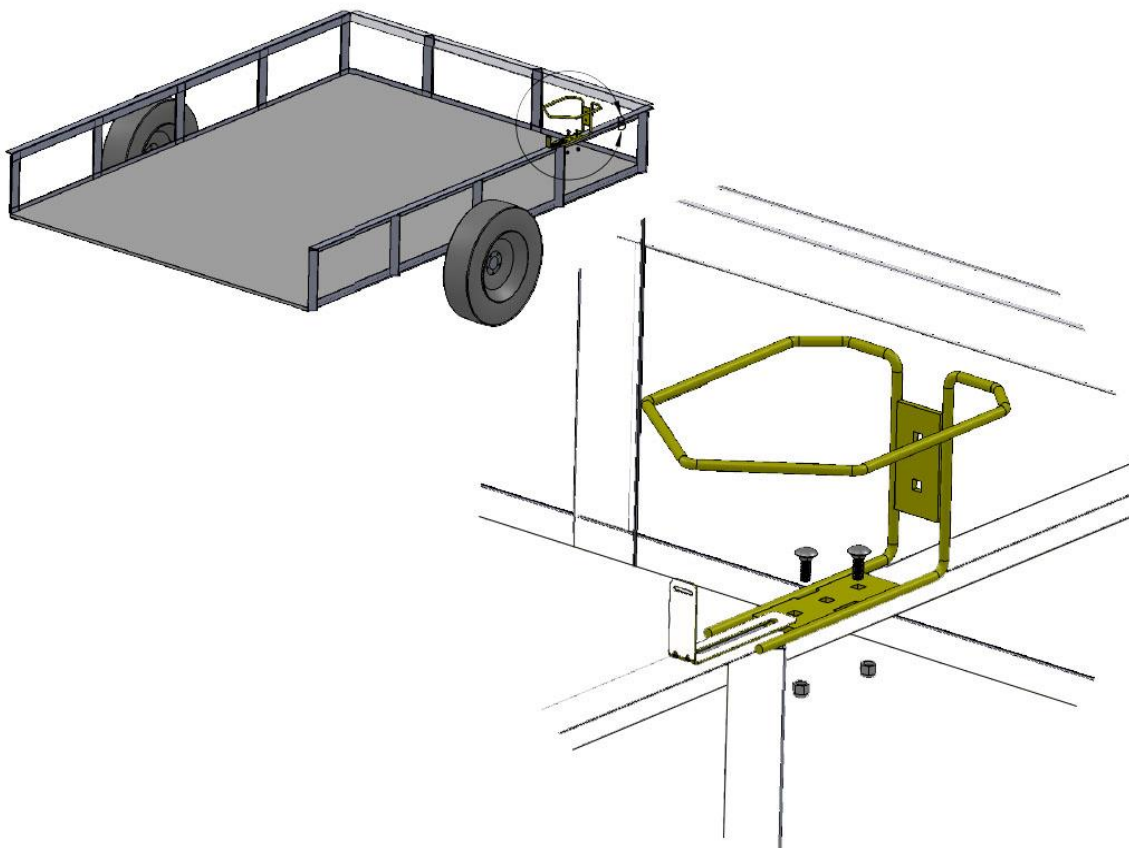
**\*\*\*PLEASE NOTE THAT ON THE 5.0 GALLON GAS CAN HOLDER, AN ADDITIONAL HARDWARE KIT IS INCLUDED FOR ADDED STABILITY OF TALLER GAS CANS. SEE INSTRUCTIONS ON WHERE TO MOUNT THE ADDITIONAL STRAPS AT THE END OF THESE INSTRUCTIONS.**



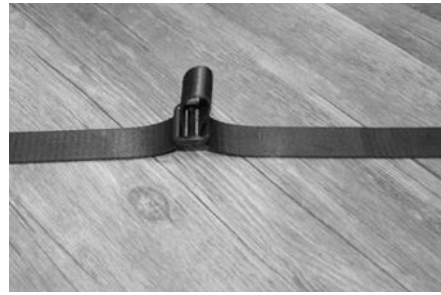
# ASSEMBLY

\*\*\* NOTE\*\*\* Gas can holder may be mounted in an enclosed trailer, on the floor, using the same instructions. Additional holes are provided on the rear side of the holder allowing you to secure the holder to the wall AND the floor, however you will need to purchase additional hardware according to your trailer wall. We do **not** recommend mounting on the wall due to the weight of the can when filled with gas.

1. Place gas can holder on the desired location of the trailer and mark the spot.
2. Drill using a 3/8" drill bit.
3. Align the (1) 3/8" wire frame with the drilled holes and place the (2) adjustment bracket on top. (The adjustment bracket is included for added stability of small gas cans that do not touch the sides of the holder. They are attached using the same bolts for mounting (see the following pictures).
4. Attach both pieces through the trailer rail using 2 (3) carriage bolts and 2 (4) nylon lock nuts. Make sure to periodically check nuts and bolts for tightness.
5. You **must** attach the straps for the gas can to be properly secured. Instructions below.



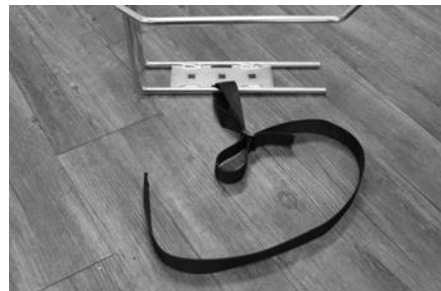
1 Take 1 of the 45" straps & thread one end through both sides of a tri-glide fastener as shown:



2 Loop the end through the bottom of the gas can holder exactly as shown:



3 Thread the end back through the tri-glide on top of the strap you inserted in step 1.



4 Using the opposite end of the same strap, repeat step 1.



5 Using the male side of the buckle, thread the strap through the bottom then over the first opening and back through towards the tri-glide. Then feed strap through bottom of tri-glide.



6 With the 2<sup>nd</sup> strap, repeat steps 1 – 3, as shown below



7 Using the female section of the buckle, thread the end of the strap through the buckle and back through the tri-glide as in step 3.

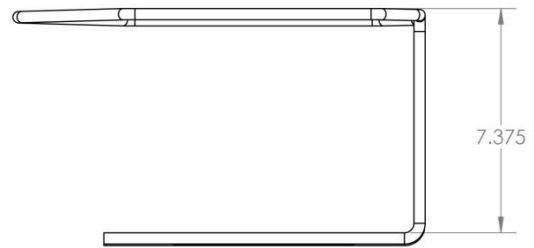
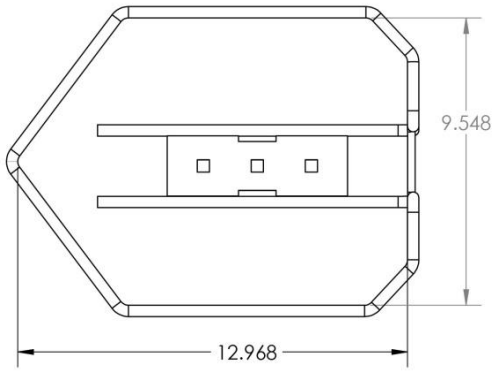


**To adjust the strap length**, first place the desired can in the holder and connect the buckle. Adjust the straps to fit the gas can snugly. Making sure to leave at least a 2 – 3” “tail” after each tri-glide, cut the end, then melt the cut edges with a lighter to prevent fraying.



# Dimensions

## 2.5 gas can holder



## 5.0 gas can holder

