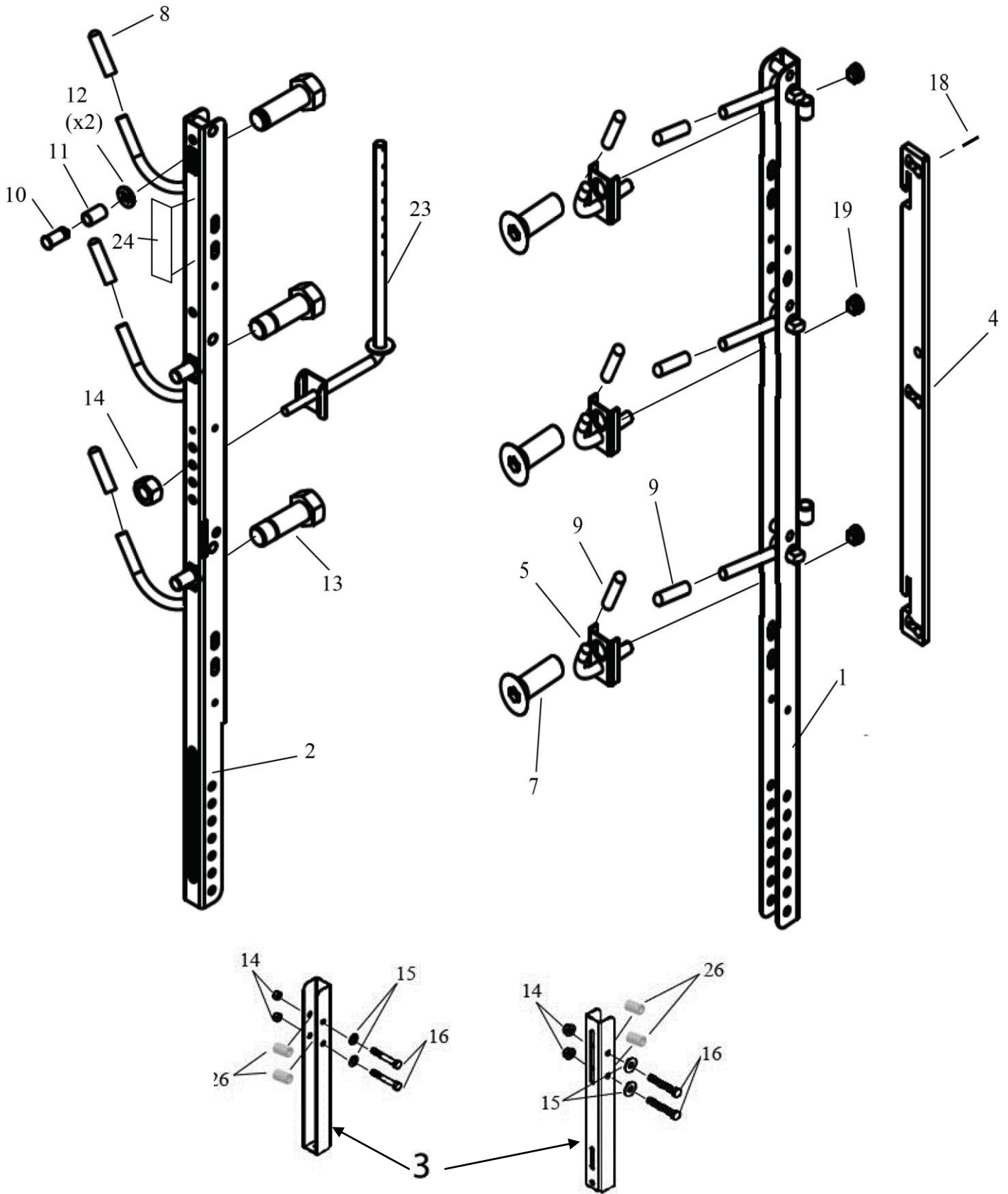




3TR ASSEMBLY INSTRUCTIONS

Parts

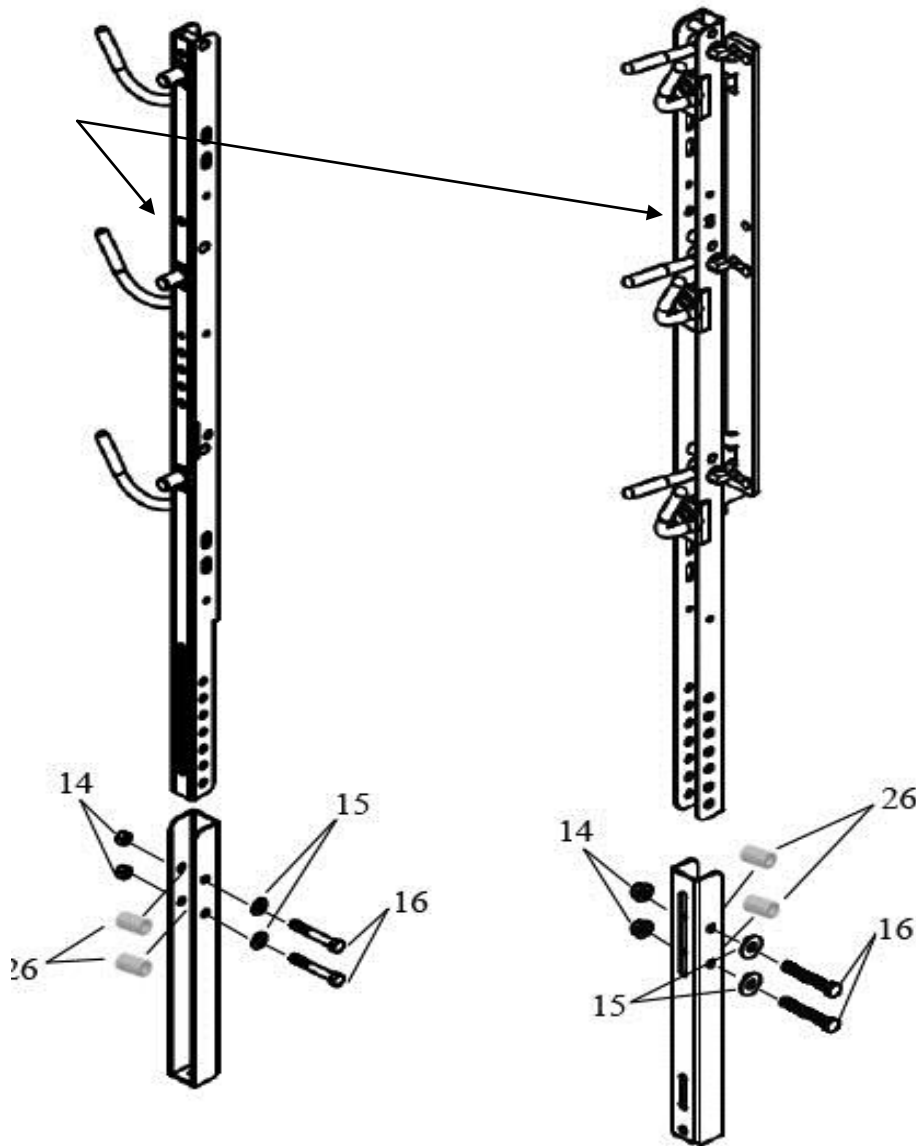


Parts List

#	PART #	DESCRIPTION	QTY
1	3TR-MC	3 Trimmer Rack, Main Channel	1
2	3TR-CC	3 Trimmer Rack, Compression Channel	1
3	ATR-MB	Mounting Bracket	2
4	3TR-LB	3 Trimmer Rack, Locking Bar	1
5	ATR-TH	Trimmer Hook	3
6	502	Extension Spring	3
7	206	M10*50mm Flat Head Socket Screw	3
8	VINYL-114	13mm I.D. x 114mm I.L. Vinyl	3
9	VINYL-95	13mm I.D. x 95mm I.L. Vinyl	6
10	ATR-CP	Compression Pin	3
11	711	13mm x 26mm Hose	3
12	ATR-WASH	M10 Square Washer	6
13	101	M8*16mm Serrated Flange Bolt	3
14	307	M10 Hex Flange Nut	9
15	407	M10 Flat Washer	8
16	208	M10*65mm Hex Cap Screw	7
17	202	M10*25mm Hex Cap Screw	1
18	810	5/32" x 7/8" Expand Pin	1
19	ATR-LN	M10 Locking Nut	3
20	501	Compression Spring	1
21	402	16mm Flat Washer	2
22	806	3mm Hair Pin Cotter	1
23	ATR-SLB	Spool Line Bar Weldment	1
24	DECAL – JUNGLE	Jungle Jim's Decal	1
25	408	20mm Flat Washer	2
26	ATR-CS	16mm O.D. Crush Sleeve	4

Assembly

TOOLS REQUIRED: 17mm and 14mm or equivalent wrenches.



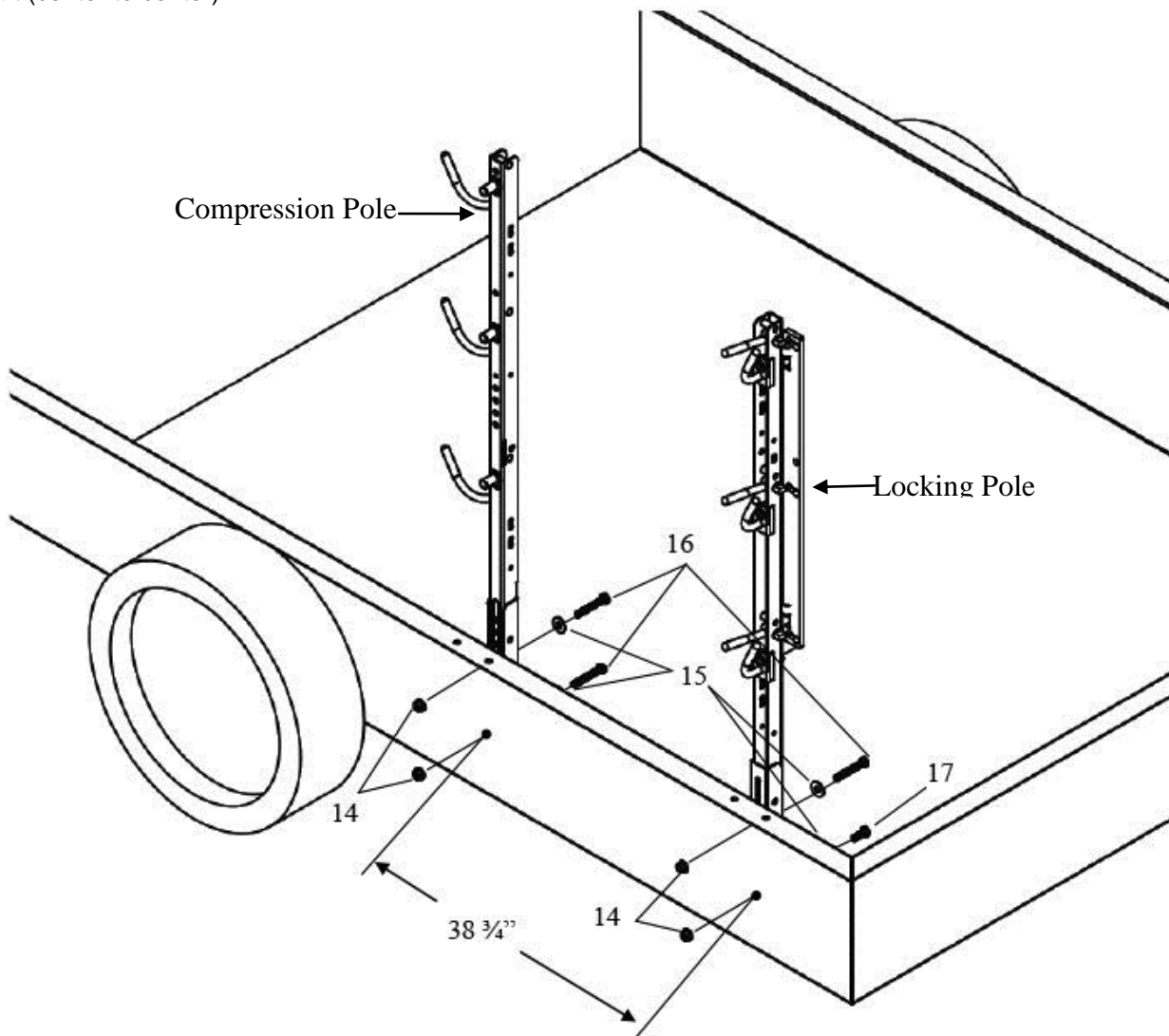
- 1 Attach the 3 (#5) hooks to the main channel by using 3 (#206) M10*50mm Flat Head Socket Screw and 3 (#19) M10 Locking Nuts. This comes preassembled.
- 2 Prior to installation, measure the desired height of trimmer rack to avoid adjusting later. Once desired height is known, attach the lower mounting brackets (#3) to the trimmer rack poles (# 1 & 2).
- 3 Make sure the channels of the mounting bracket and the trimmer pole are opening in opposite directions as shown. Adjust the height of the Trimmer Rack to meet your needs. The height can also be adjusted after mounting on the trailer.
- 4 Use two (#16) M10 x 65mm screw, two (#15) flat washer, two (#21) crush sleeve, and two (#14) flange nuts per pole as shown above. Do not tighten the bolts yet. HINT: to hold crush sleeve in place, slide a screw driver through the elongated slot while inserting the screws. You will need someone to hold the mounting pole.

Installation

TOOLS REQUIRED: Drill with a 10mm drill bit, 17mm and 14mm or equivalent wrench.

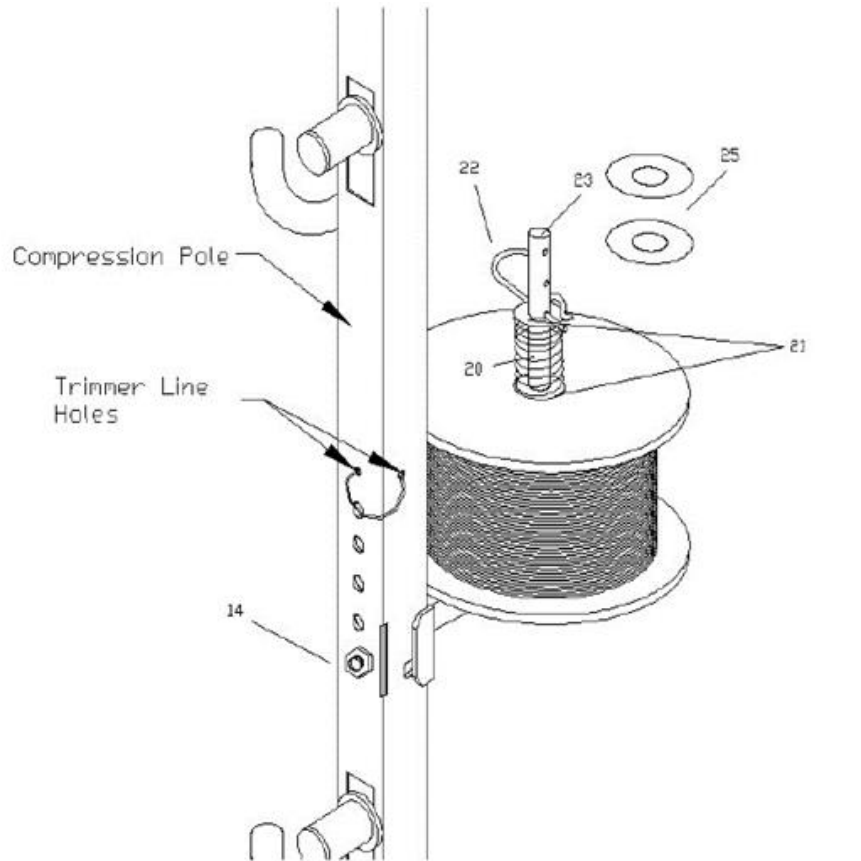
1. Position the mounting brackets on the trailer to suit your space needs or requirements, however the bottom figure shows a suggested mounting detail on the passenger side of the trailer. (Please note, the locking pole **MUST** be installed to the right of the compression pole).
2. Once a suitable location is found, mark and drill two 10mm holes $38\frac{3}{4}$ " apart through the top trailer rail and two more holes through the bottom rail directly below the holes in the top rail. Be sure the holes clear the bolts going through the mounting bracket and pole.
3. Secure the compression pole to the trailer using 2 (#16) M10*65mm Hex Cap Screw with 2(#15) M10 Flat Washer and 2(#14) M10 Hex Flange Nut. The locking Pole uses 1(#16) M10*65mm Hex Cap Screw at the top, 1(#17) M10*25mm Hex Cap Screw at the bottom with 2(#15) M10 Flat Washer and 2(#14) M10 Hex Flange Nut. Check that the trimmer rack height is correct before tightening the hardware. Re-adjust the height if necessary, then tighten all the hardware securely.

NOTE: To ensure proper mounting of Jungle Jim's TOOL RACK (Sold Separately), poles should be positioned $38\frac{3}{4}$ " apart (center to center).



Spool Holder Assembly

TOOLS REQUIRED: One 17mm or equivalent wrench.



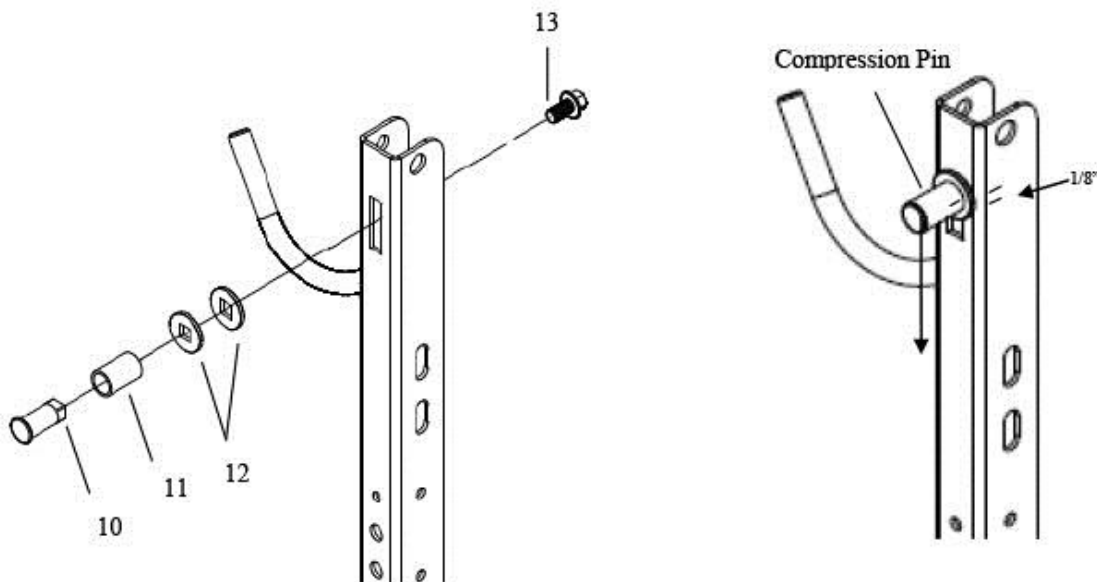
1. Attach the spool holder assembly to the compression pole as shown in the figure above using the (#14 M10 Hex Flange Nut). Adjust the height of the spool holder to meet your needs. The spool holder can also be installed on the side of the compression pole by utilizing the slot and hole on the side of the pole.
2. Place your spool of trimmer line (not included) on the post followed by one (#21) 16mm flat washer, the (#20) compression spring, and the other (#21) 16mm flat washer. Compress the spring down onto the spool and retain it by installing the (#22) hair pin cotter through one of the three holes in the spool holder bar as shown. The spring needs to be compressed enough against the spool to prevent it from spinning freely on the spool holder. If your spool has large holes in it, use the larger (#25) 20 mm flat washers.
3. Run the trimmer line from the spool through the trimmer line hole on the front of the compression pole. The trimmer line can then be dispensed through that hole. When finished dispensing line, run the trimmer line back through the holes in the sides of the compression pole to prevent it from unraveling.

Adjustment

TOOLS REQUIRED: 13mm socket wrench with extension or 13mm deep socket.

1. Place the trimmer in the rack by putting the cutting end of the shaft into the hook on the compression pole. Lift the engine end of the trimmer up and into the hook on the locking pole. The trimmer should be positioned so that the handle is resting in the hook on the engine end. Be careful not to damage the throttle trigger when placing the trimmer onto the rack.
2. Tighten the compression pin assembly; Insert the (#10) compression pin into (#11) 26mm hose, and 2 (#12) M10 square washer and from the other side attach (#13) M8*16mm serrated flange bolt as shown in the figures below. Slide the pin down until it is touching the trimmer shaft and tighten the bolt.
3. In order for your Trimmer Rack to prevent the trimmer from rotating while in the rack, the compression pins on the compression pole must be adjusted properly. Remove the trimmer from the rack. Use a marker and make a mark on the pin an aligning mark on the pole as shown in the figure below. Make another mark on the pole 1/8" below the first one. Carefully loosen the bolt securing the compression pin and slide the pin down until the mark on the pin lines up with the lower mark on the pole. Tighten the bolt holding the pin securely.
4. Place the trimmer in the rack and test to see that the rack keeps the trimmer from rotating easily. If it does not, re-adjust the compression pin down in 1/16" increments until the rack holds the trimmer firmly.
5. Repeat steps 1- 4 for the other pins on the pole. **NOTE:** Since different models of trimmers have different shaft diameters, one position on the rack will need to be adjusted for one model of trimmer and the other positions will need to be adjusted for other models. Unless all of your trimmers are the same or have the same shaft diameters, each trimmer will have to be placed in the rack position which was adjusted to fit that trimmer.

NOTE: The black vinyl sleeves installed over the hooks and bars on your trimmer rack are to prevent your trimmers from getting scratched and worn while in the trimmer rack. These sleeves will wear over time with the use of the trimmer rack and should be replaced annually or as needed.

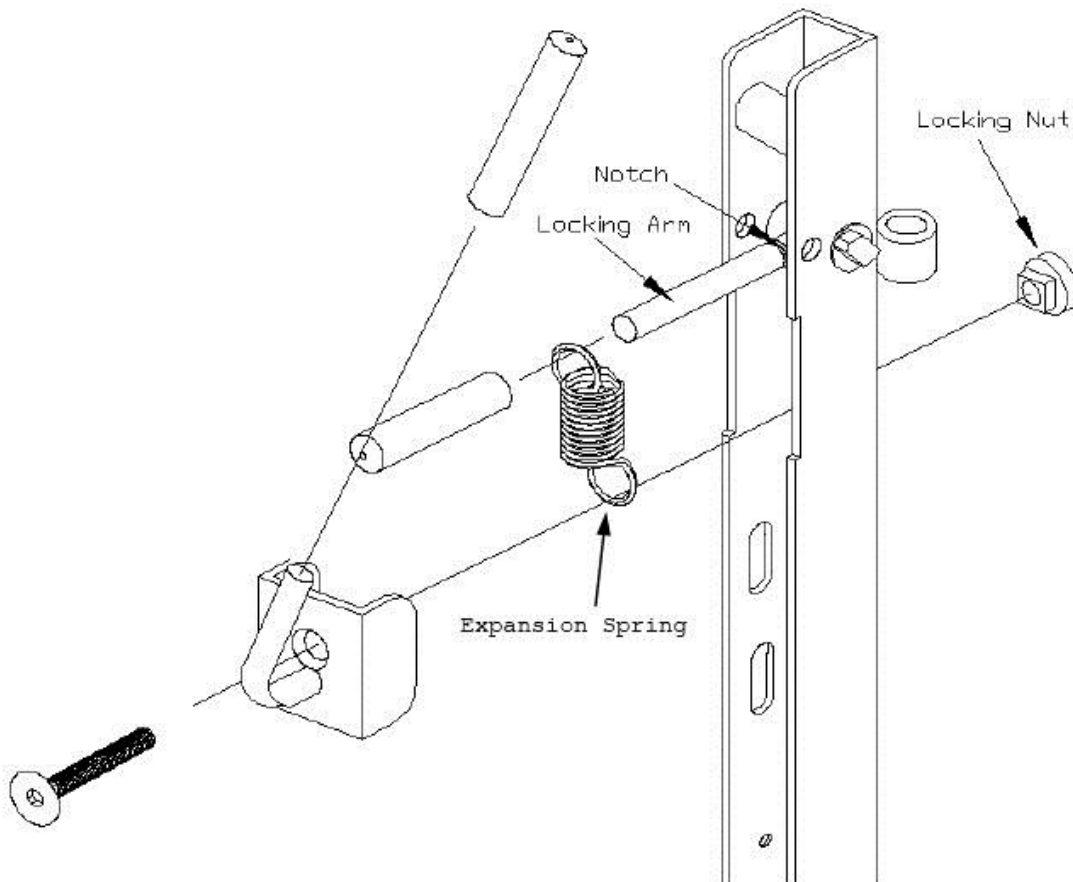


Replacement Parts

TOOLS REQUIRED: 5mm Allen wrench

Replacement parts are available for your trimmer rack, should you ever need to replace anything. Below are instructions for replacing the trimmer hooks on your rack.

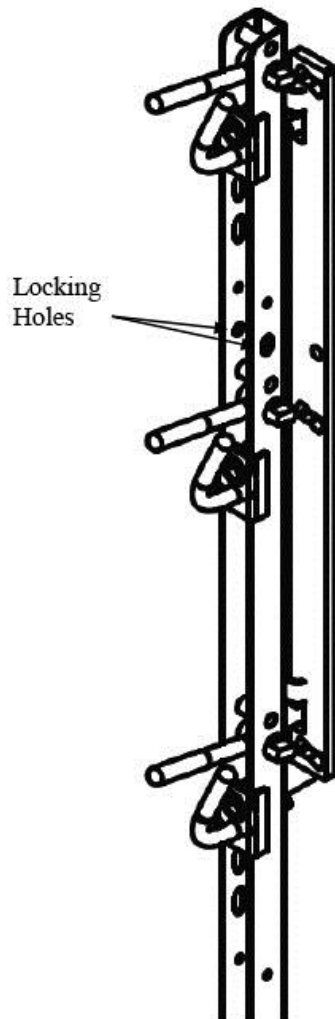
1. Remove the hook by unscrewing the M10*50mm flat head socket screw. If you are replacing the spring, you will need to carefully cut off the 95mm vinyl on the locking arm and slide the spring off.
2. Place a new spring on the locking arm. Be sure that the eye-holes on the ends of the spring are oriented as shown in the figure below. Slide the spring onto the locking arm so, that the eye-hole sits in the notch on the locking arm. After the spring is installed, slide a new 95mm vinyl onto the locking arm.
3. Place the trimmer hook on the pole. Insert the M10*50mm flat head socket screw through the trimmer hook, through the bottom eye-hole on the spring, and into the locking nut. Be sure the bolt goes through the hole in the spring and tighten securely with a 5mm Allen wrench.



Locking

Your Trimmer Rack is designed so that all three trimmers can be locked on the pole using only one padlock (not included). Please be sure that your padlock has a 2" clearance as shown below and has at least a 1 1/2" base. The padlock must be tight on the pole for the locking bar to secure the trimmers properly.

To lock your Trimmer Rack close the lock bar and insert the padlock through the locking holes in the pole and on the lock bar. The padlock should go all the way through both sides of the pole and the lock bar. Try to open the lock bar to ensure that the padlock works properly.



*Note: Use a lock that has a 2" clearance and at least a 1 1/2" base.

