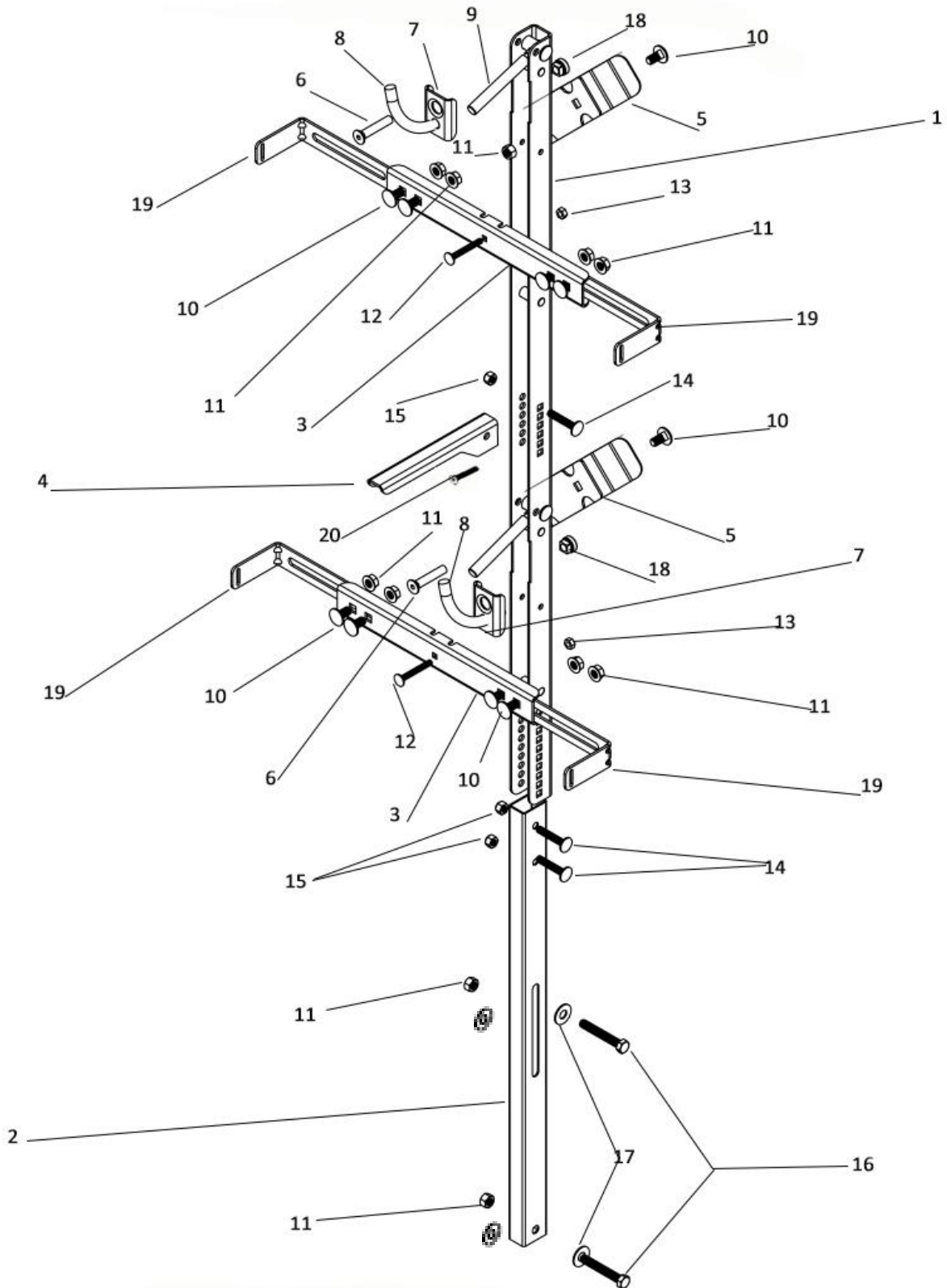




2BH ASSEMBLY INSTRUCTIONS

Parts



Parts List

ITEM NO.	PART #	DESCRIPTION	QTY.
1	2BH-MCW_REV.A	Main Channel Weldment	1
2	2BH-MT_REV.A	Mounting Tube	1
3	ABH-CC_REV.A	Blower Holder, Cross Channel	2
4	2BH-SR_REV.A	Support Rail	1
5	TRM-TUBE L	Blower Tube Holder	2
6	206	M10*50mm Flat Head Socket Screw	2
7	ABH-BH_REV.B	Blower Hook	2
8	VINYL-114	13mm I.D. x 114mm I.L. (4.5")	2
9	VINYL-95	13mm I.D. x 95mm I.L. (3.75")	2
10	104	M10*20mm Carriage Bolt	10
11	307	M10 Hex Lock Nut	12
12	102	M6*55mm Carriage Bolt	2
13	314	M6 Nylon Lock Nut	2
14	100	M8*45mm Carriage Bolt	3
15	305	M8 Nylon Lock Nut	3
16	208	M10*65mm Hex Cap Screw	2
17	407	M10 Flat Washer	4
18	ATR-LN_REV.A	Locking Nut	2
19	BH-AS	Blower Holder Strap arms	4
20	224	M6*25mm Hex Socket Screw	1
NOT SHOWN	703	Tri-glide Fastener	6
	705	Snap Buckle (Male/Female)	2
	751	30" web strap	4

Assembly

TOOLS REQUIRED: 14mm, 13mm and 10mm wrenches, 5mm Allen Wrench

1. Attach the 2 (#3) cross channels to the pole using the 2 (#12) M6*55mm carriage bolts and 2 (#13) M6 nylon lock nuts as shown in the figure above. Tighten the bolts securely.
2. Attach the (#20) M6*25mm hex socket screw to the (#4) blower support rail. Attach the blower support rail to the pole using the (#14) M8*45mm carriage bolt and (#15) M8 nylon lock nut. Adjust the (#20) M6*25mm hex socket screw as needed so that the blower support rail rests at a 90 degree angle. Install it in the lowest position. Do not tighten the bolt yet. The height of the support rail will be adjusted later.
3. Attach the 2 (#7) blower hooks to the pole using the 2 (#6) M10*50mm flat head socket screws and 2 (#18) M10 locking nuts. Tighten the screws securely using a 5mm Allen wrench.
4. Attach the 2 (#5) blower tube holders to the back of the pole using the 2 (#10) M10*20mm carriage bolts and 2 (#11) M10 hex lock nuts. Install them in any position, but do not tighten the bolts yet. The height and angle of the tube holders will be adjusted later to match your individual blowers.
5. Attach the 2 (#19) Blower Holder Strap Arms to each (#3) Cross channels using 4 (#10) M10*20mm carriage bolt and 4 (#11) M10 hex lock nuts. Repeat. **BE SURE TO TIGHTEN ALL HARDWARE WEEKLY IF NEEDED!!!**

To attach straps to the brackets:



1. Insert strap through right blower holder strap arm.



2. Pull strap so that both sides are even.



3. Insert only the right side of the strap through the right side of the plastic tri-glide.



4. Follow the same strap over and through the left side of the same plastic tri-glide.



5. Slide the tri-glide to the center of the strap.



6. Insert both ends of the strap through the left slot on the male buckle.



7. Insert both ends of the strap over and through the right slot of the male buckle.

8. Insert both ends of the strap up and through the left side of the tri-glide. (This is the same tri-glide you assembled in steps 3-5). Repeat through the right side of the tri-glide.



9. Right side is now complete.

10. Repeat steps 1 – 8 for the left side using the female buckle.

Installation

TOOLS REQUIRED: Drill with a 10mm drill bit, 17mm and 14mm wrenches

NOTE: Install the pole so that when the blowers are on the pole, they will be facing into the wind while driving. This will prevent the wind from blowing the blowers around.

1. The blower pole can be positioned on the trailer to suit your space needs or requirements, however the below figure illustrates mounting on the passenger side of the trailer. We recommend that the blower post be mounted so that the blowers are facing into the wind. Once a suitable location is found, drill a 10mm hole through the top trailer and one more hole through the bottom rail directly below the hole in the top rail.
2. Attach the mounting tube to the trailer using the 2 (#16) M10*65mm hex cap screws, 4 (#17) M10 flat washers, and 2 (#11) M10 hex lock nuts as shown. Tighten the hardware securely.
3. Attach the blower holder pole assembly to the mounting tube using the 2 (#14) M8*45mm carriage bolts and 2 (#15) M8 nylon lock nuts. Adjust the height of the pole, so that the weight of the bottom blower will be resting on the trailer rail for support and not only on the hook.
4. Each blower can be locked individually using a padlock (not included) through the locking holes on the pole. One lock will be required for each blower installed on the pole.

