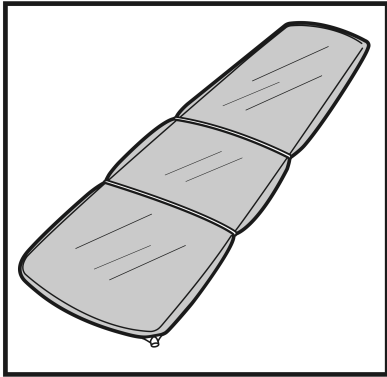


Use of Katabatic Gear's Cord Clip attachment system



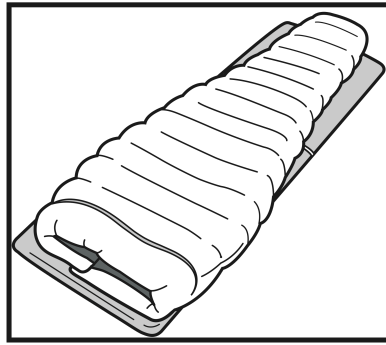
Attach the supplied cords snugly around your sleeping pad

Your sleeping bag comes with two 2mm cords with cord locks for securing around your sleeping pad.

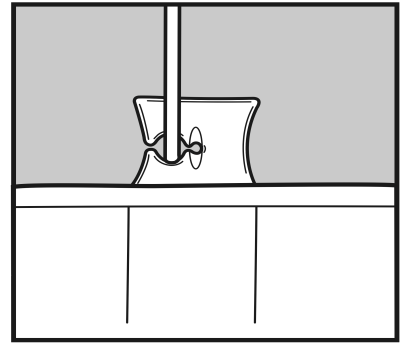
Loop the cords around your sleeping pad approximately where they will line up with the Cord Clips on your sleeping bag.

Slide the installed cord locks to tighten the cords securely around your sleeping pad. You'll want them to be pretty snug, as this will make the next step easier.

Connect your sleeping bag to your pad using the Primary Cord Clips

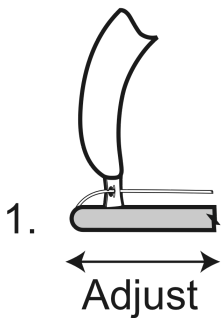


Lay your sleeping bag on your sleeping pad and clip the Cord Clips to the corresponding cords you have attached around your pad.



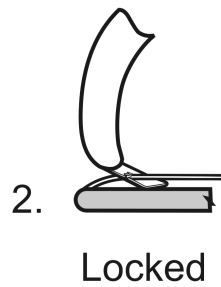
The Cord Clips feature two clip positions. The first position, the larger hole, allows the clip and your sleeping bag to slide freely along the cord. This position keeps the sleeping bag located loosely on top of you, and will allow maximum freedom of movement and the most room within the sleeping bag. This position is ideal for warmer weather.

As the temperature drops, clipping the Cord Clip into the second position, the smaller hole, locks the Cord Clip and the sleeping bag in place on the cord. In this position the sleeping bag stays secured in place on the cord.



Adjusting the Primary Cord Clips

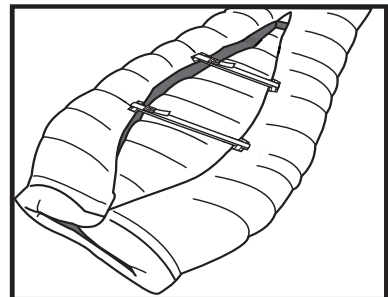
Once the Primary Cord Clip is clipped into the small hole, its location along the cord is easily adjusted by turning the Cord Clip perpendicular to the cord. This allows the position of the sleeping bag on the pad to be adjusted, as well as the girth of the sleeping bag. All this can be done while lying in the sleeping bag, making it easy to adjust the bag during the night as conditions change.



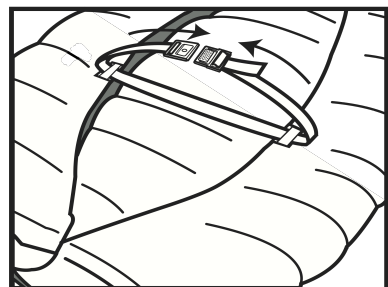
Locking your adjustment in place

Releasing the cord clip allows it to return to its resting position parallel to the cord. This locks the Cord Clip in place, preventing it from moving along the cord.

Using your sleeping bag without attaching it to a sleeping pad



In addition to the Cord Clip attachment system, your sleeping bag comes with two removable webbing straps. These straps make it easy to use your sleeping bag without attaching it to a sleeping pad.



Feed each end of the strap through the elastic loops and adjust as necessary.