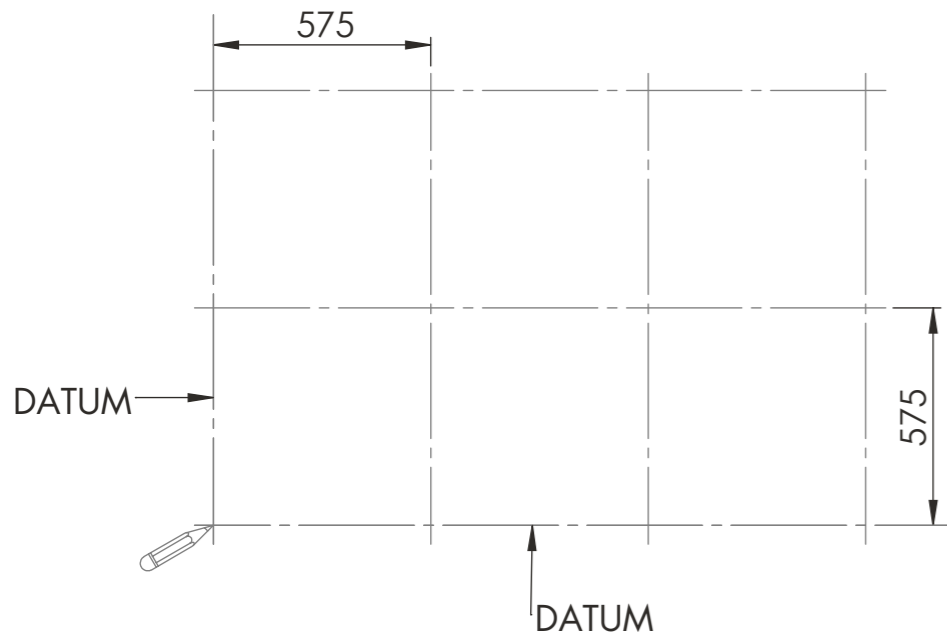
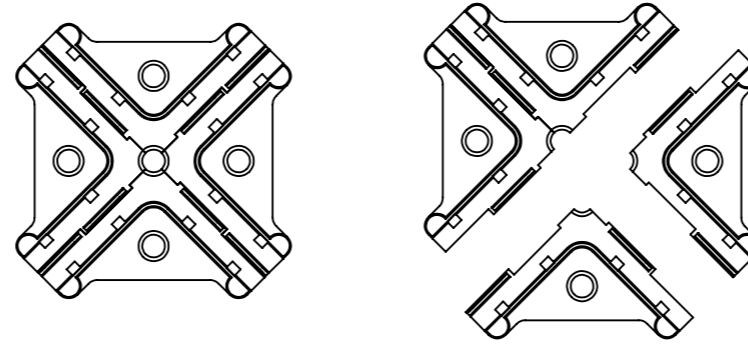


3D WALL TILES INSTALLATION INSTRUCTIONS

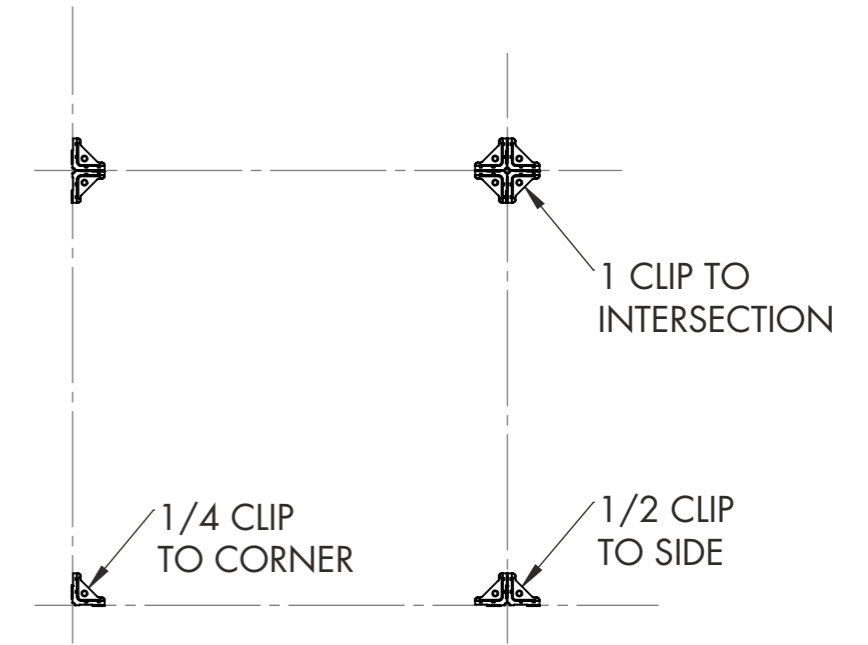
SQUARE TILES



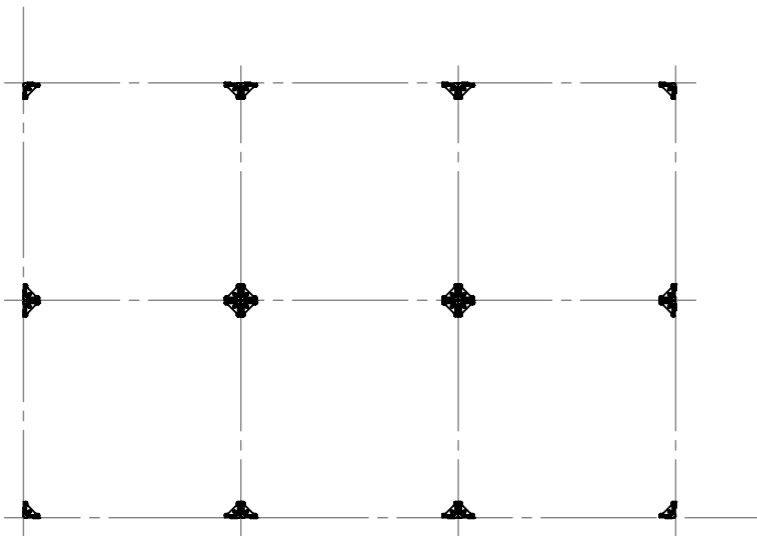
1 Mark DATUM lines and chalk out a grid



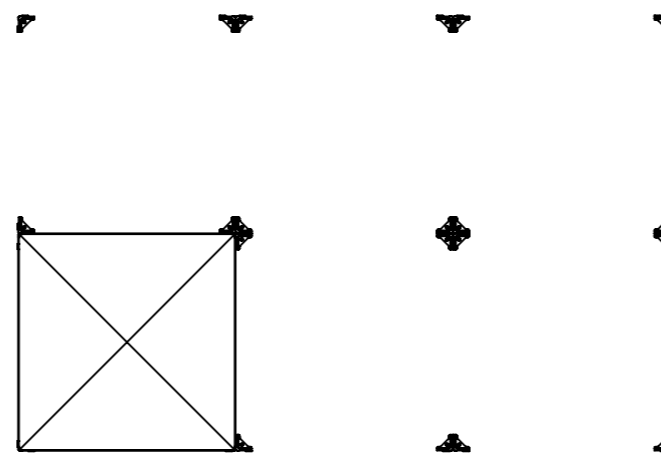
2 Supplied clip snaps as required



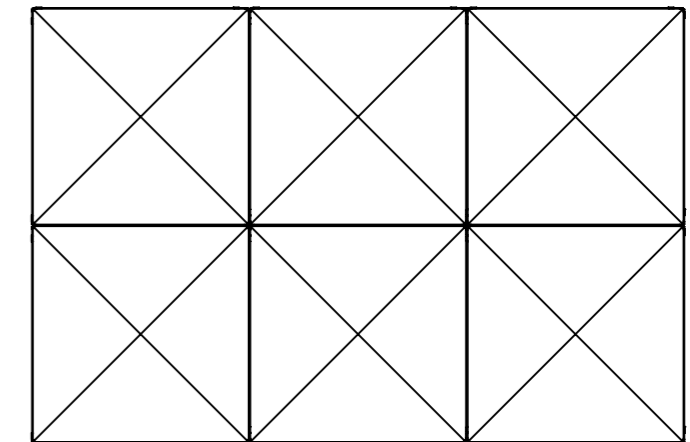
3 Set clips out as shown. Fix to substrate with suitable screwfixing.



4 Once clips are secured, remove any chalklines.



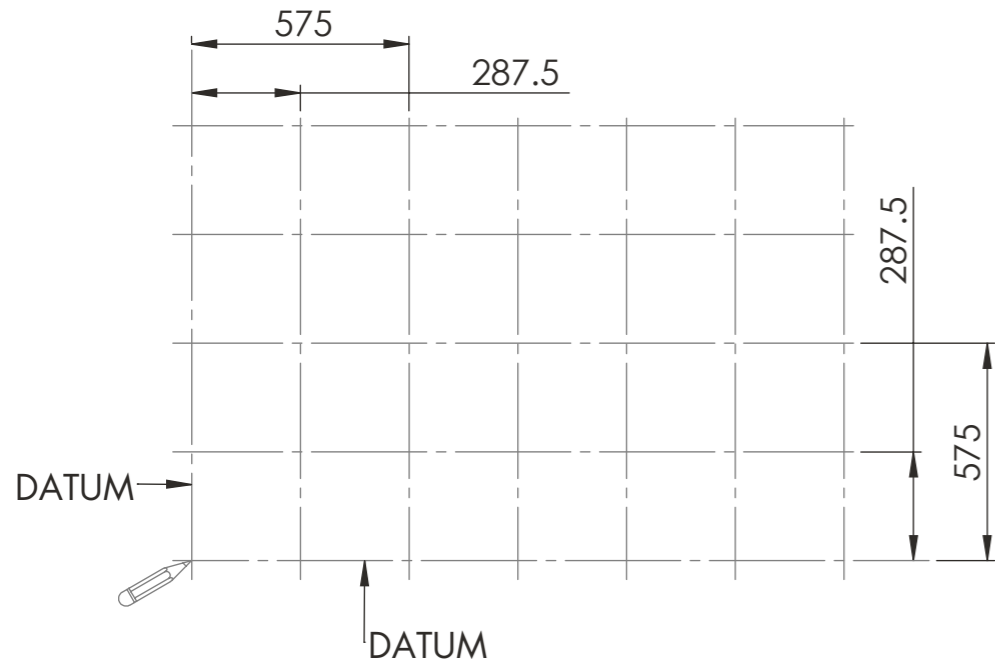
5 Lay out tiles, starting in the corner.



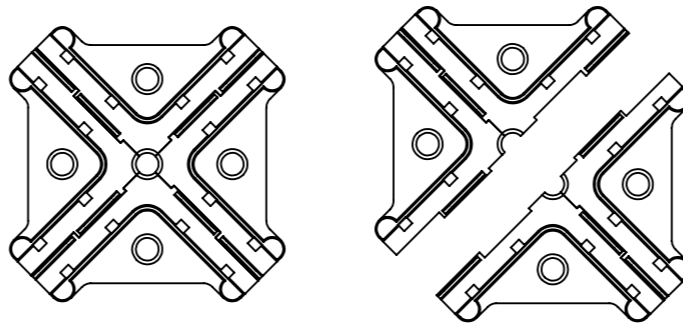
6 Finished

3D WALL TILES INSTALLATION INSTRUCTIONS

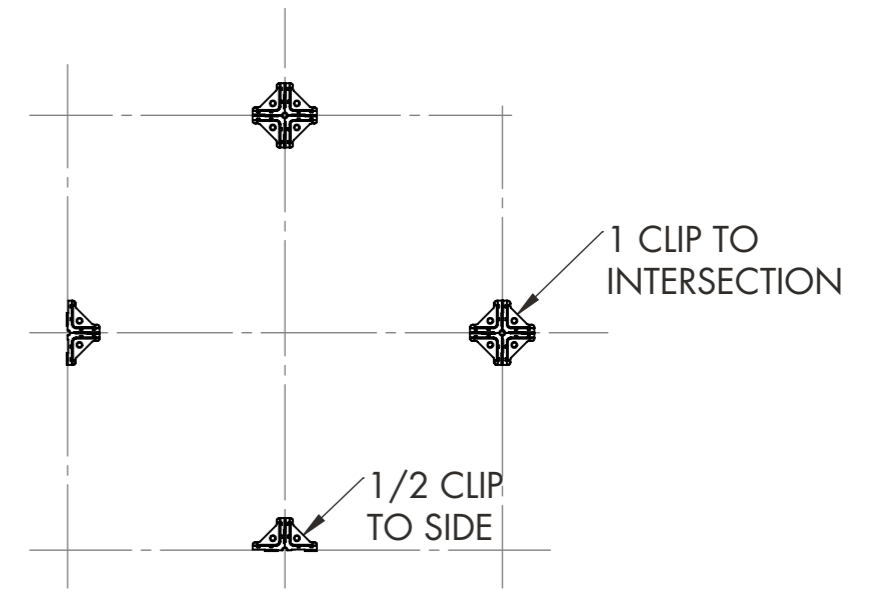
ROUND TILES



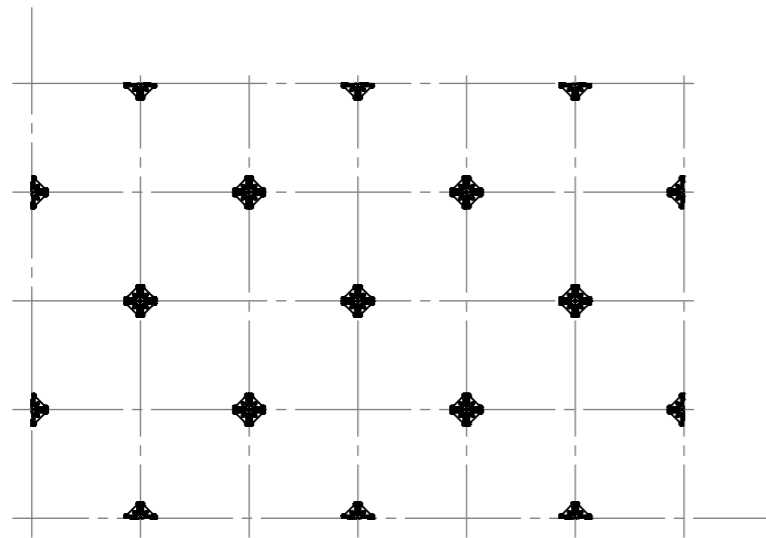
1 Mark DATUM lines and chalk out a grid



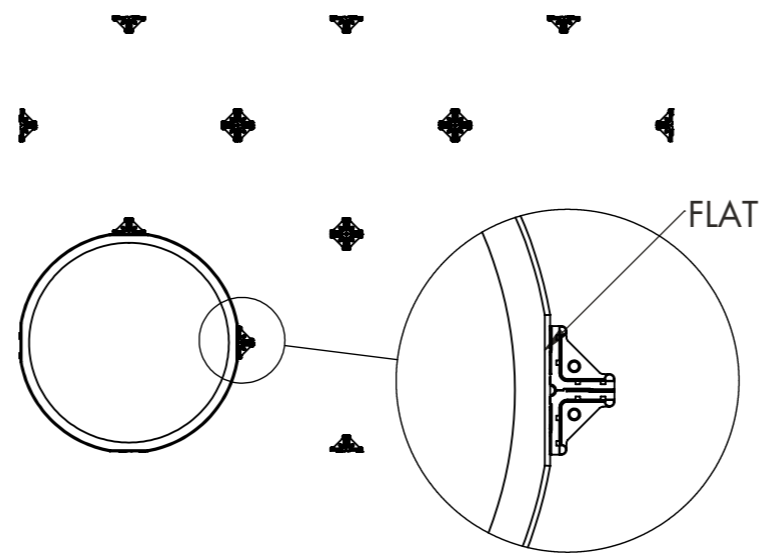
2 Supplied clip snaps as required



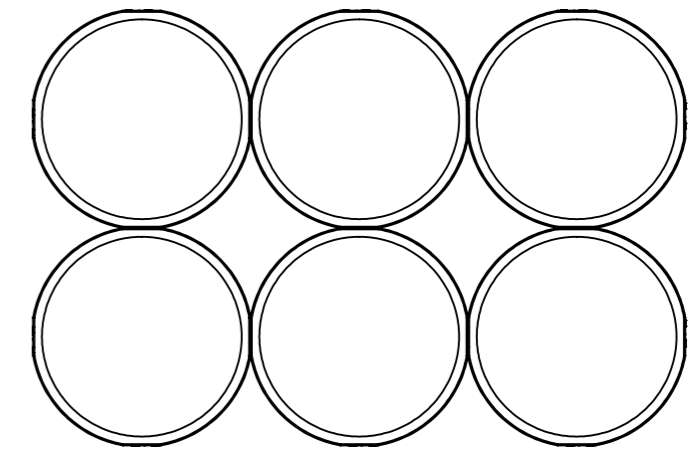
3 Set clips out as shown. Fix to substrate with suitable screwfixing.



4 Once clips are secured, remove any chalklines.



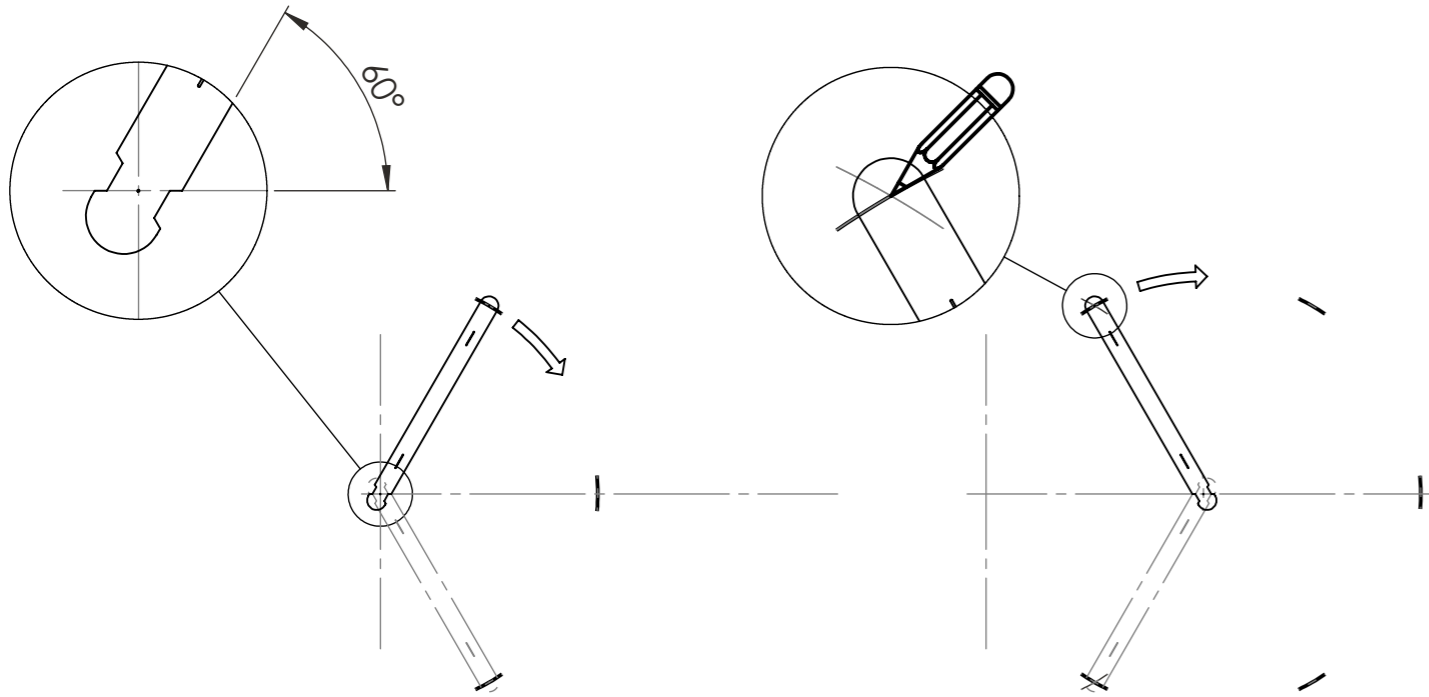
5 Lay out tiles, starting in the corner. Align the flats on the tiles with the clips.



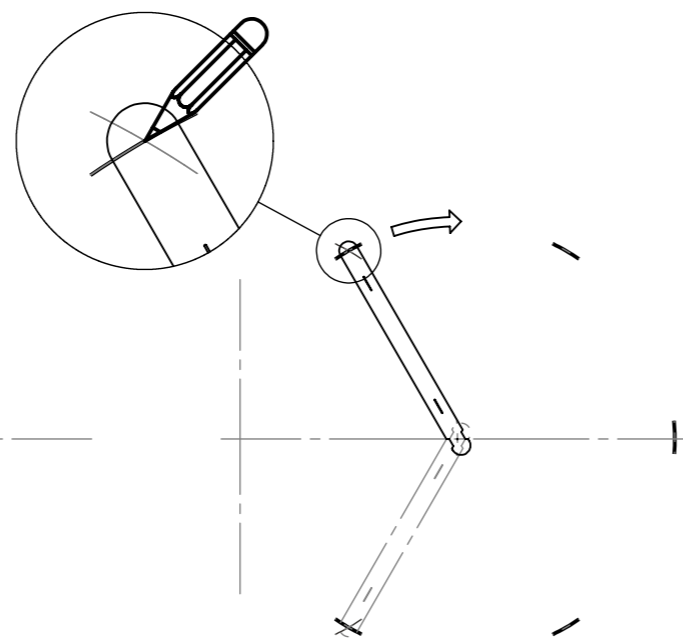
6 Finished

3D WALL TILES INSTALLATION INSTRUCTIONS

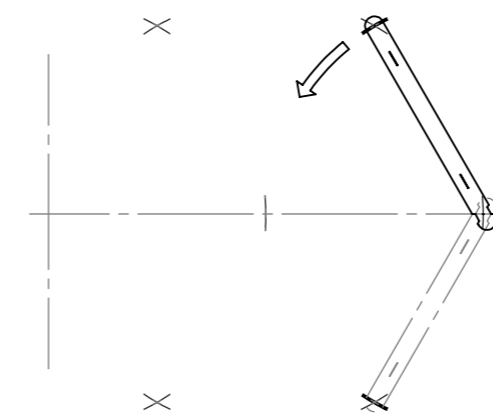
TRIANGLE TILES



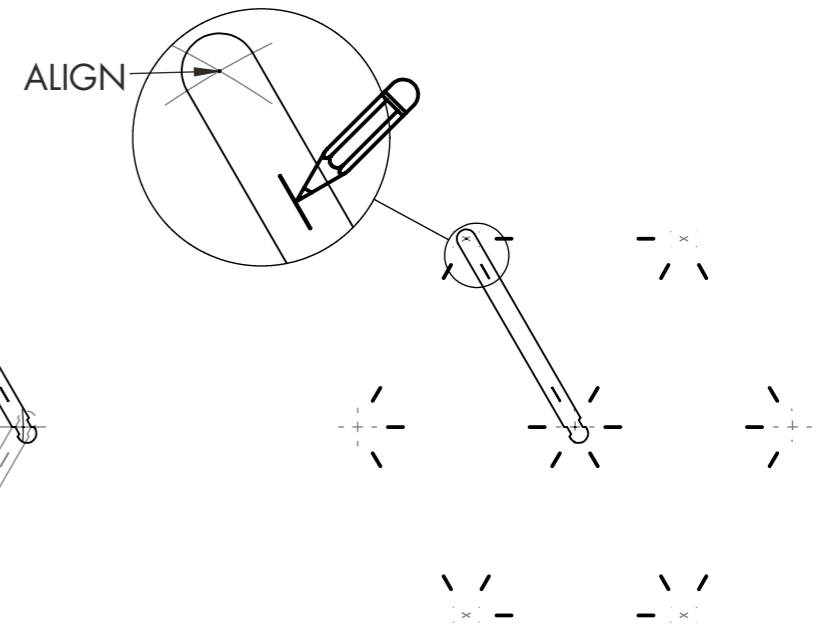
1 Mark datum lines. Use compass tool to scribe marks at 60°



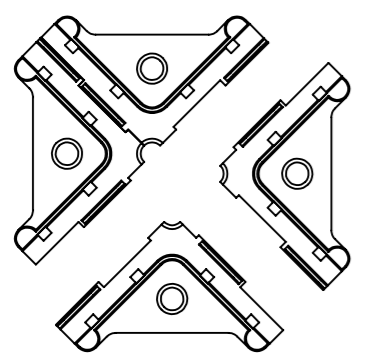
2 Move compass to next datum intersect. Use compass tool again to scribe marks at 60°



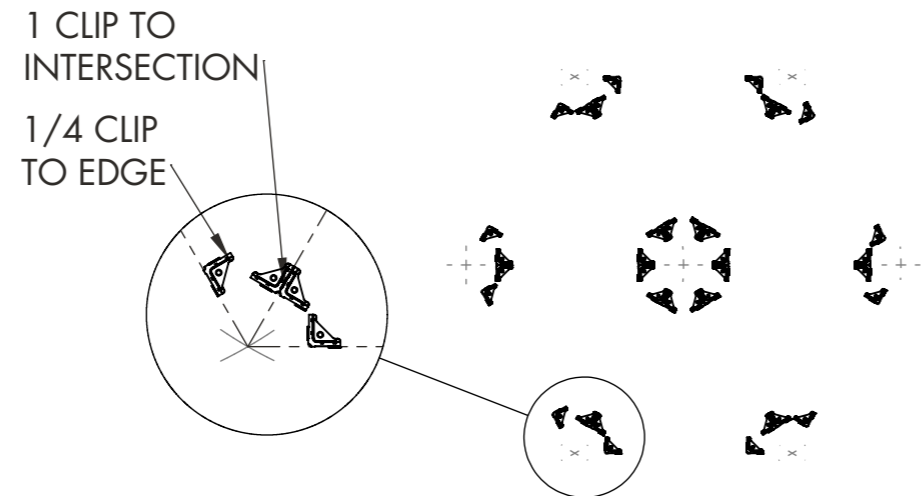
3 Repeat step 2



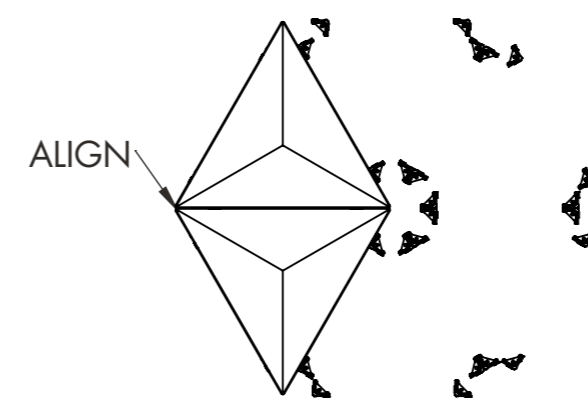
4 When all points have been determined, use compass tool to mark clip locations BETWEEN POINTS



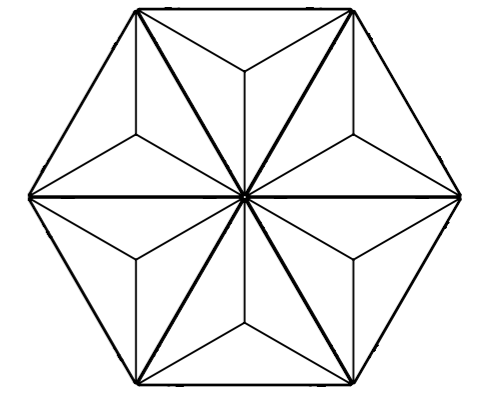
5 Supplied clip snaps as required



6 Clean unnecessary markings and set clips out as shown. Fix to substrate with suitable screwfixing.



7 Lay out tiles, be careful to align tile points.



8 Finished