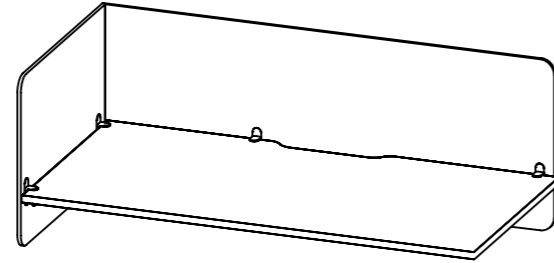
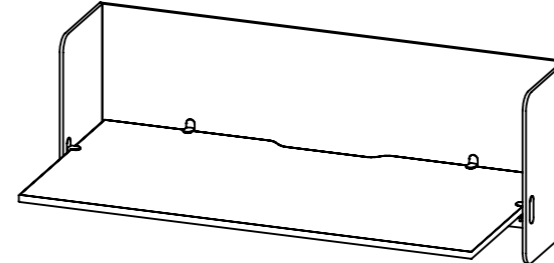


HEDGE



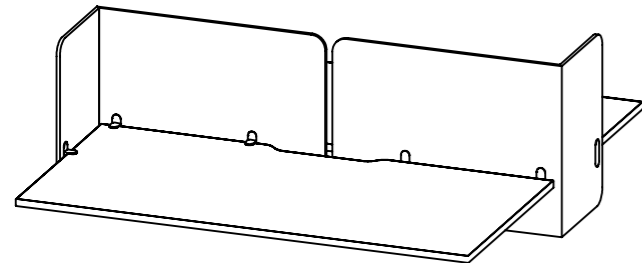
HAVEN



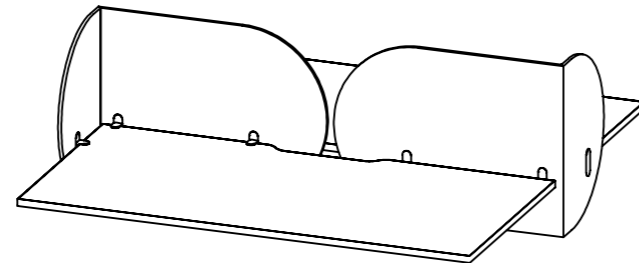
NOOK



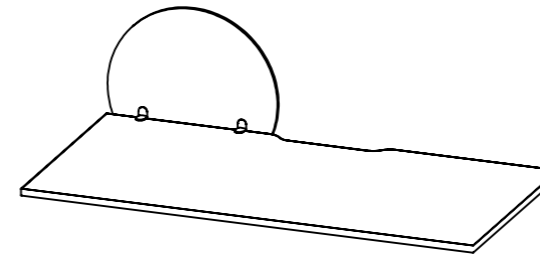
SLATE



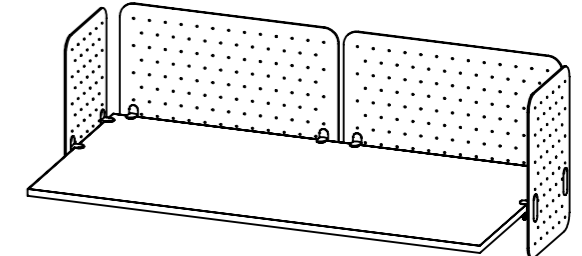
DEN



CREST

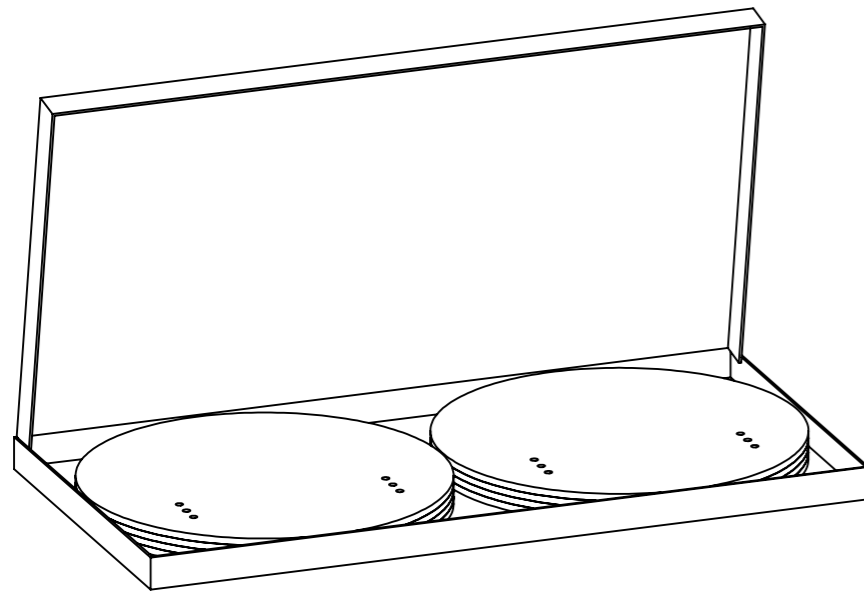


SOL

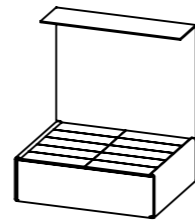


POLKA

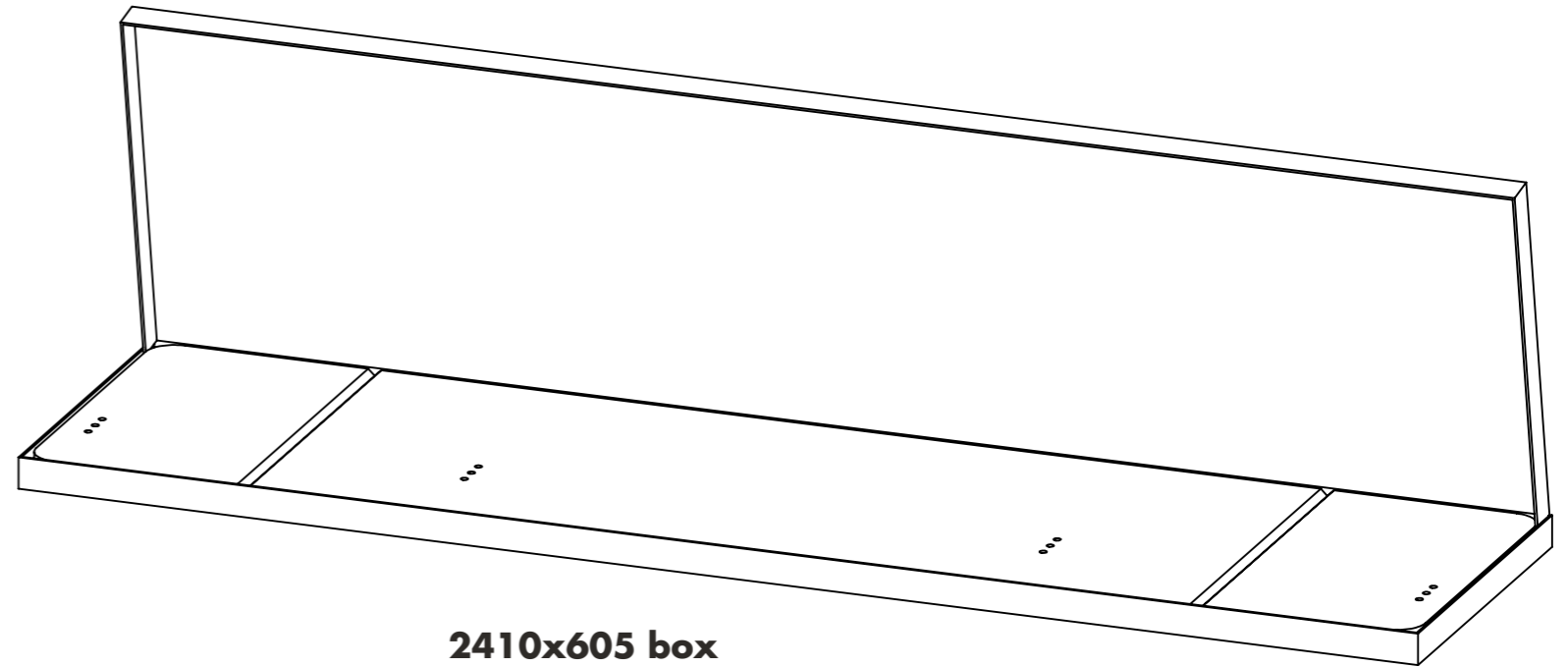
The standard range of screens has been optimised to get the best yield from a standard size sheet of 12mm Cube panel.
For variations to this range or bespoke screen designs, please contact your account manager.



1205x605 box



Clamp box



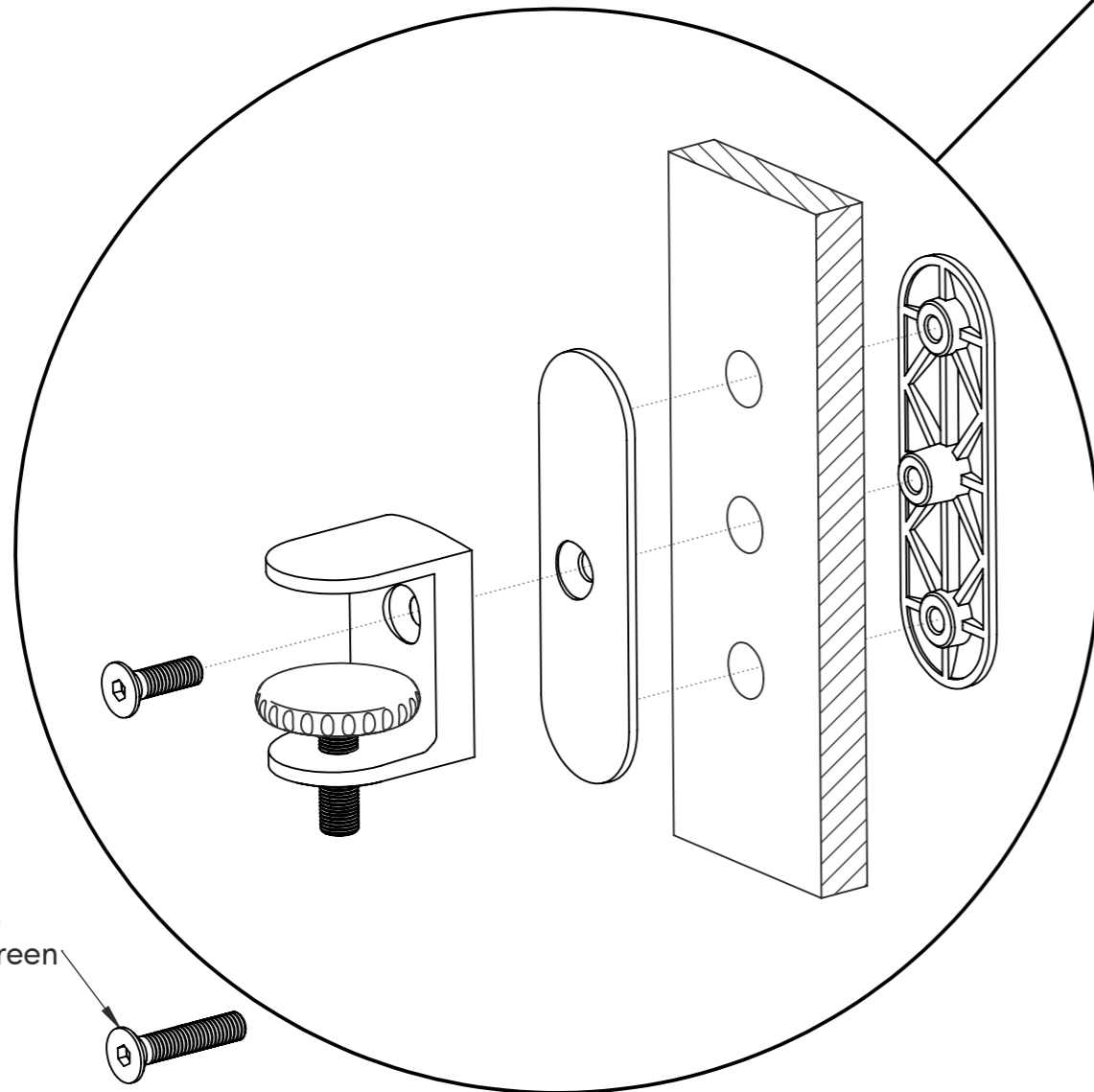
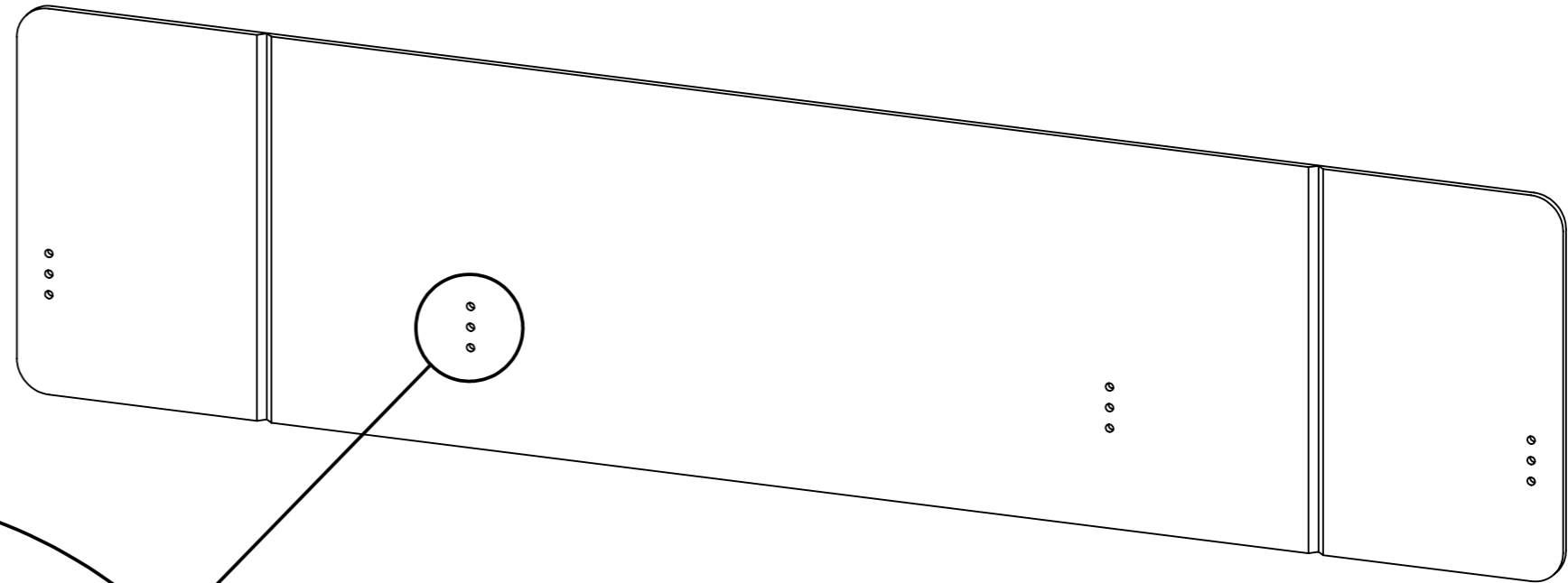
2410x605 box

Style	Part Code*	Overall Length (mm) Flat	Overall Height (mm)	Height Above Desk (mm)	Screens Per Pack	Clamps Per Screen	Total Number of Clamps Per Pack	Box
HAVEN	HAVEN-1600	2400	600	400	4	4	16	2410mm x 605mm x 50mm
	HAVEN-1800	2400	600	400	4	4	16	
NOOK	NOOK-1600	2400	600	400	4	4	16	
	NOOK-1800	2400	600	400	4	4	16	
HEDGE	HEDGE-1600	1550	600	400	4	4	16	
	HEDGE-1800	1750	600	400	4	4	16	
SLATE	SLATE-800	750	600	400	12	2	24	
DEN	DEN-1600	1190	600	400	4	3	12	1205mm x 605mm x 50mm
	DEN-1800	1190	600	400	4	3	12	
CREST	CREST-1600	1190	600	400	4	3	12	
SOL	SOL-600	600	600	400	8	2	16	
POLKA	POLKA-800_400	772/380	576	388	4x 772/4x 380	2	16	

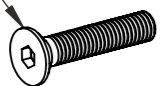
* Part code number refers to the length of desk in mm that the screen has been designed to fit.

1. Align the clamp with the holes in the screen and assemble the components as shown.

Note: The plugs may need to be removed from the holes.

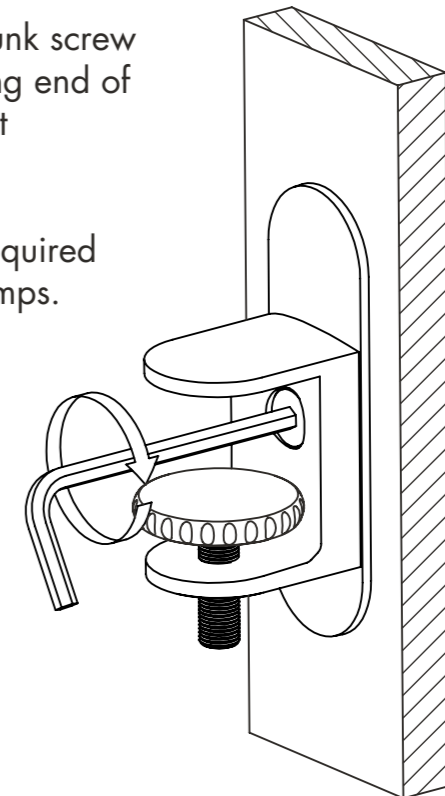


Additional Screw included in clamp box for 24mm Screen

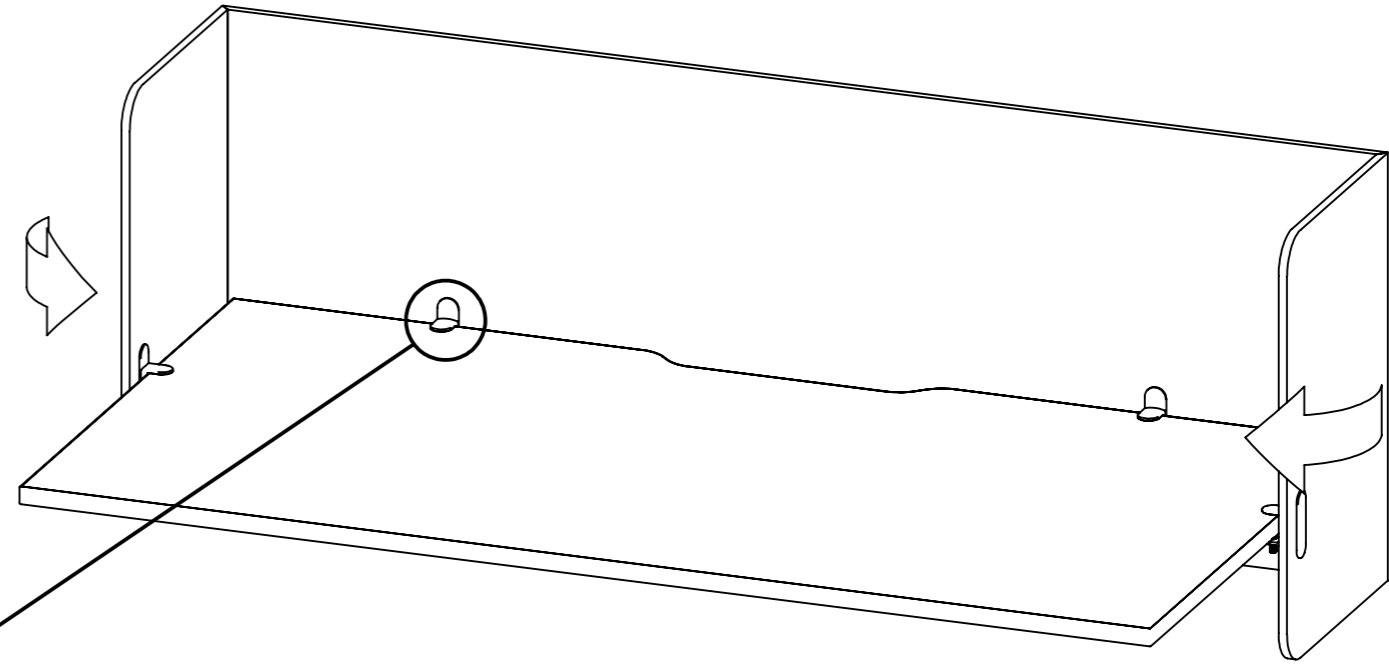


2. Tighten the counter-sunk screw in place using the long end of a 4mm Allen Key (not supplied).

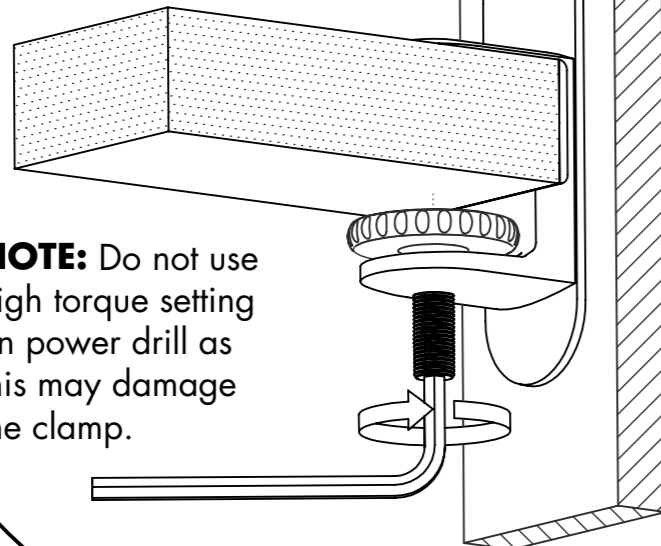
Repeat this step as required for the rest of the clamps.



- 3.** Fold the screen around the corners of the desk and attach the clamps as shown in the detail below.



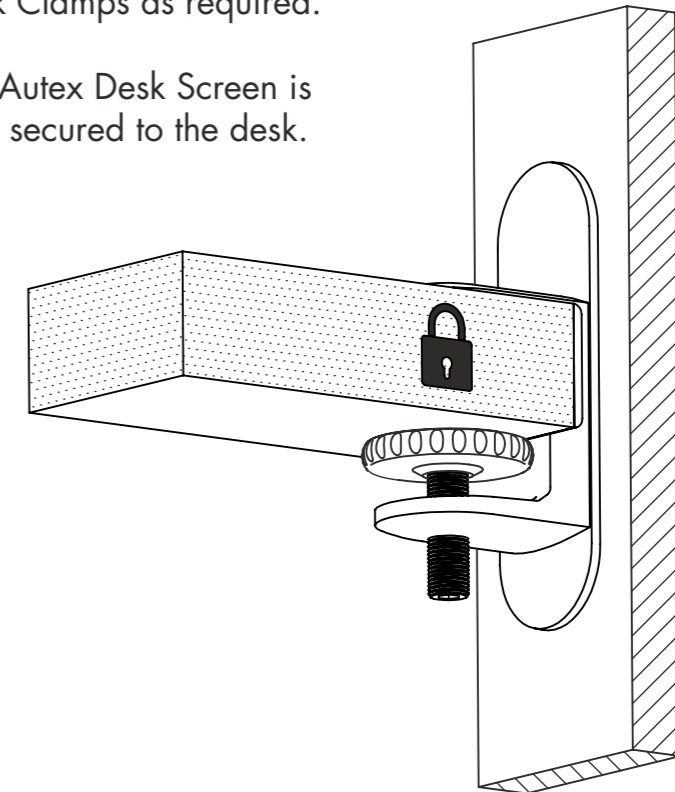
Tighten the grub screw and disk from the underside of the desk using the short end of a 4mm Allen Key (not supplied)



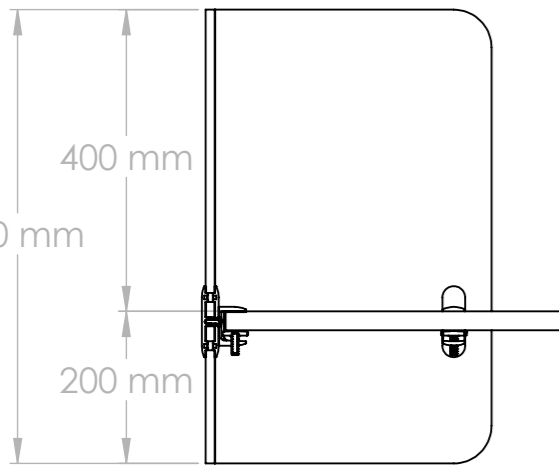
NOTE: Do not use high torque setting on power drill as this may damage the clamp.

- 4.** Repeat for the remaining Desk Clamps as required.

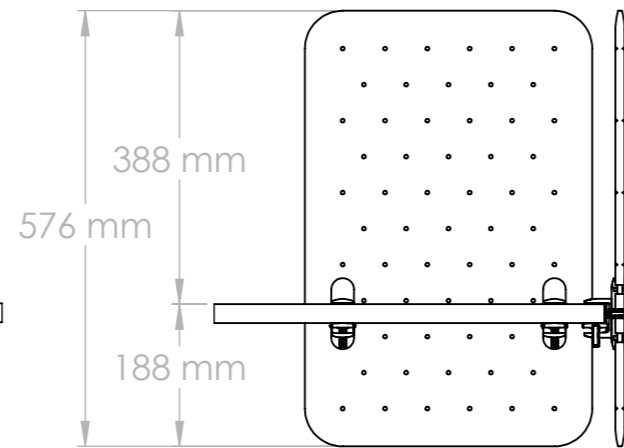
The Autex Desk Screen is now secured to the desk.



STANDARD HEIGHTS

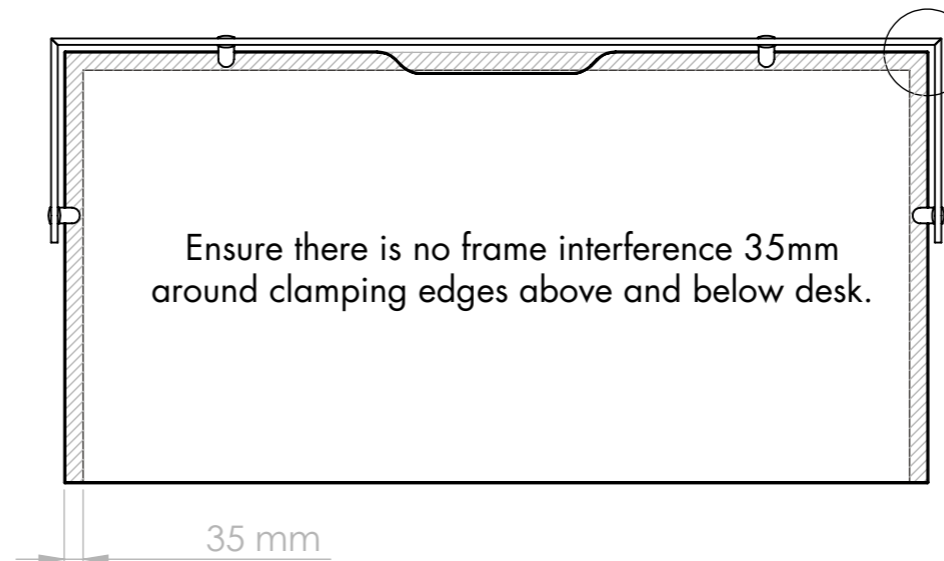


Standard Screens

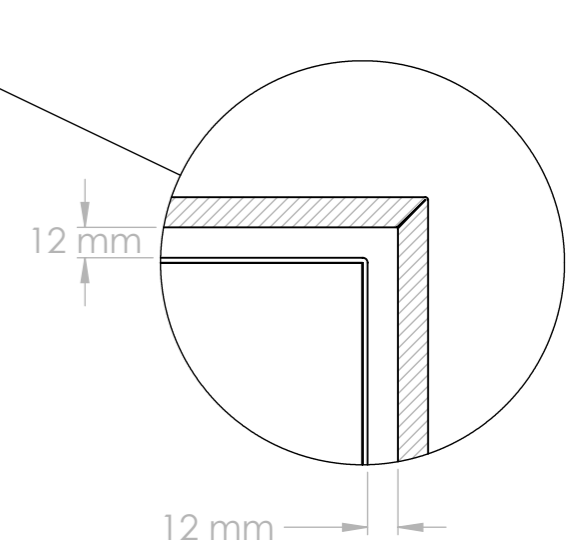


Moulded Screens (Polka)

EDGE CLEARANCE

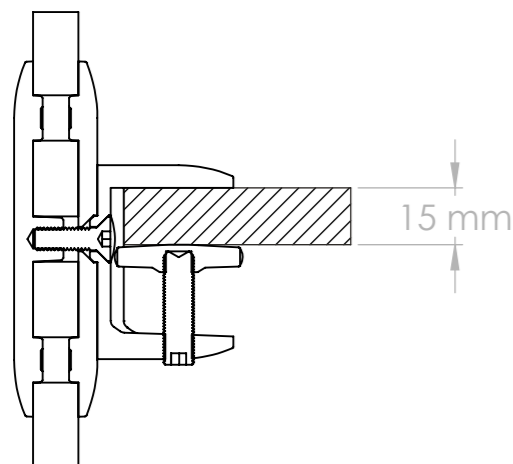


EDGE OFFSET

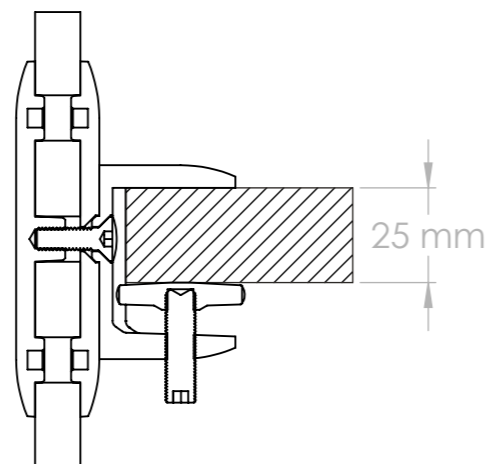


12mm clearance between desk and screen to allow for cable management and cleaning. (12mm = to thickness of screen)

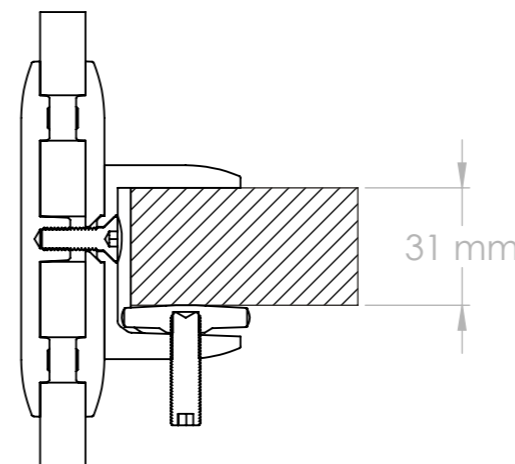
MINIMUM DESK THICKNESS



NOMINAL DESK THICKNESS



MAXIMUM DESK THICKNESS (STANDARD POSITION)



MAXIMUM DESK THICKNESS (ALTERNATE POSITION)

