

HORIZON FLOATING ACOUSTIC PANELS





© HORIZON™
DESIGN: RECTANGLE
COLOUR: PAVILION

HORIZON™

FLOATING ACOUSTIC PANELS

Horizon™ allows shapes to appear floating from ceilings and walls while increasing acoustic performance. With five geometric shapes, slick finished edges and clean hidden fixings, Horizon allows an easy yet good looking feature for hospitality spaces, open plan offices, meeting rooms, education facilities and lobbies. Utilising our sophisticated channels, clips and suspension wires, Horizon can be installed on ceilings and walls without the need for clear space, as minimal contact is made between the panel and the surface area; providing a floating aesthetic.

For ceilings, Horizon's adjustable system allows you to set the suspension height with ease giving you the ability to target multiple frequency levels within the chosen space. Horizon can also be clipped to walls as a demountable acoustic panel, without the need for adhesives.

Horizon; pushing the boundaries of acoustic design.

HORIZON™

FLOATING ACOUSTIC PANELS

FEATURES AND BENEFITS

- Delivers excellent acoustic performance
- Suitable for wall and ceiling applications
- Can be subtle or a feature design for small or large spaces
- Low VOC – beneficial for IEQ
- UV stabilised and resistant to colour fade so it'll always look as good as the day it was installed
- Not made from fibreglass or mineral fibre and does not contain formaldehyde, crystalline silica or other carcinogens, common to traditional fibrous absorbers
- Cleanable and easily demountable
- Hides ceiling services
- Includes high recycled content and is recyclable at the end of its life
- Highly durable so you're assured of long-term stability and performance





HORIZON™

FLOATING ACOUSTIC PANELS

APPLICATIONS

- Suitable for a variety of spaces including offices, education, retail, hospitality and commercial interiors
- Fixed or suspended ceiling and wall acoustic panels

SPECIFICATION

Acoustic panels shall be Horizon™ (L) as compiled by Autex Acoustic absorber Horizon (Rectangle 2400 x 1200mm), (Square 1200 x 1200mm), (Circle 1200mm Dia), (Right Angled Triangles 1200 x 1200mm), (Hexagons 1100mm across the flats) 24 mm thick. Colour (L).

Fire Rating ISO 9705: 1993: Group 1-S,

AS ISO 9705 – 2003: Group 1,

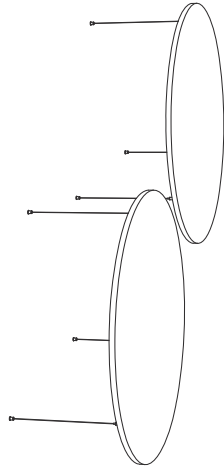
ASTM E84-15a: Class A, FS-0 - SD-45,

Seismic bracing as per local building code requirements.

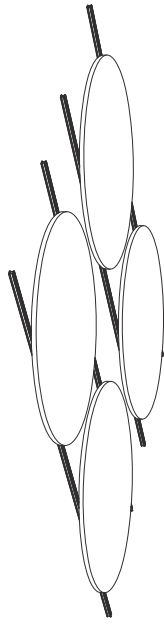
Supplied with suspension kits for suspension or Frontier™ clips for direct fixing, fix with countersunk fastener appropriate for the substrate. Install as per Horizon Install Instructions.

HORIZON™

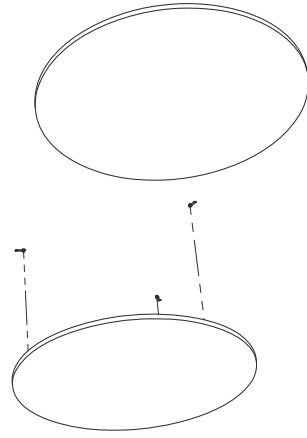
INSTALL OPTIONS



Horizon can be suspended on simple wires



For larger scale installations Horizon can be installed to battens



Or connected to walls or ceilings using our Frontier clip



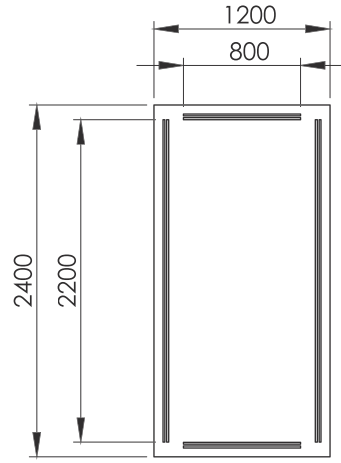
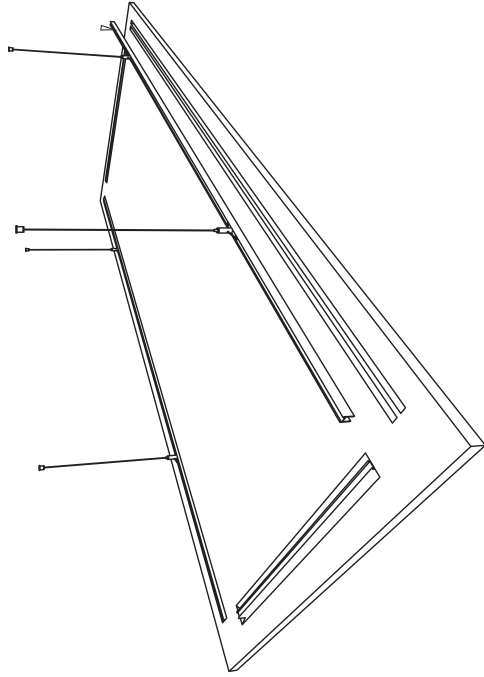


FLOATING
ACOUSTIC FEATURE

Choose from five geometric shapes or
create your own custom Horizon™ acoustic panel.

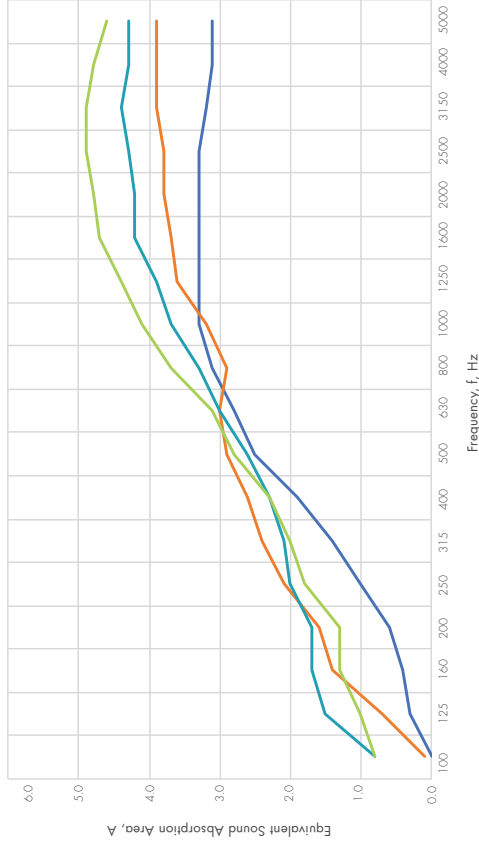
HORIZON™

DESIGN OPTIONS



DESIGN RECTANGLE COLOUR SEE PAGE 27 FOR FULL COLOUR RANGE

EQUIVALENT ABSORPTION AREA ACCORDING TO ISO 354.



University of Auckland Test report Number	125	250	500	1000	2000	4000	Per Unit
Horizon Rectangle Direct Fixed on Clips	0.3	1.0	2.4	3.3	3.3	3.2	2.5
Horizon Rectangle Suspended 200mm	0.8	2.1	2.9	3.3	3.8	3.9	3.0
Horizon Rectangle Suspended 400mm	1.4	2.0	2.7	3.7	4.3	4.4	3.1
Horizon Rectangle Suspended 800mm	1.1	1.7	2.8	4.1	4.8	4.8	3.4

All results are reported in Metric Sabin · per unit. Equivalent sound absorption area according to ISO 354 measurement of sound absorption in a reverberation room. Average Absorption (Sabins per unit) calculated at one-third octave bands centred on 250 Hz, 500 Hz, 1000 Hz and 2000 Hz, and rounded to the nearest 0.05.

PRODUCT SPECIFICATIONS

Product Name Horizon™ Rectangle
Composition 100% Polyester Fibre; Aluminium Channel
Panel Dimensions 1200mm x 2400mm
Tolerance (+/- 0.5mm) (+/- 0.5mm)
Thickness 24mm
Tolerance (+/- 6%)
Weight 4600gsm

INSTALLATION

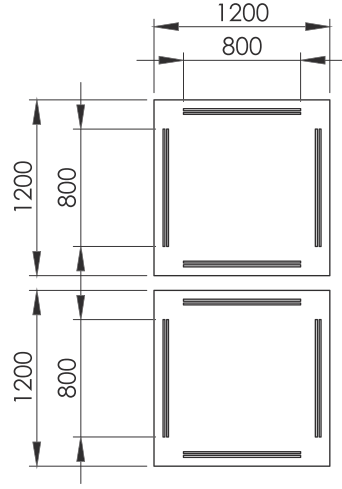
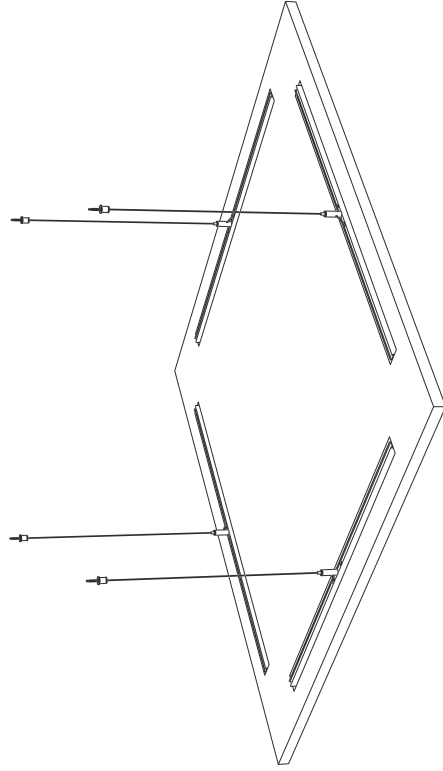
Install as per Autex recommendations.
 Installation instructions are included in each pack.

HORIZON RECTANGLE PACK CONTENTS

Shapes / pack	1
Suspension sets / pack (B,2XC,D)	2
Channel lengths reqd/ pack (A)	2 x 2200mm 2 x 800mm
Required number of: Clips (E) Suspension Magnets (F) Ceiling Grid Hangers (G). For Direct fixing / wall mounting or alternative suspension methods / pack	8

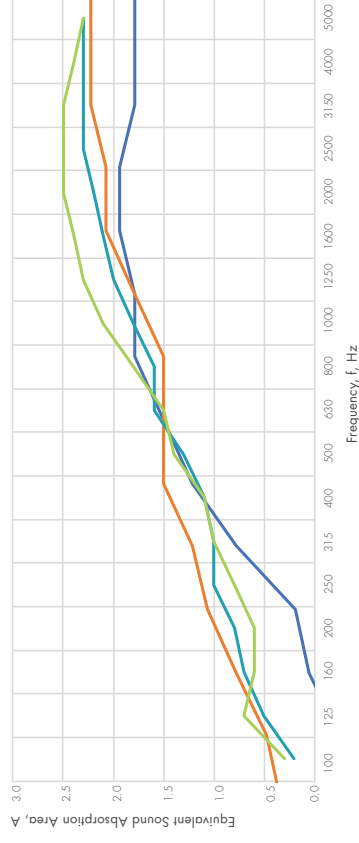
HORIZON™

DESIGN OPTIONS



DESIGN SQUARE COLOUR SEE PAGE 27 FOR FULL COLOUR RANGE

EQUIVALENT ABSORPTION AREA ACCORDING TO ISO 354.



	University of Auckland test report Number	125	250	500	1000	2000	4000	Per Unit
Horizon Square Direct Fixed on Clips	TI 805-2	0.2	0.5	1.3	1.7	1.7	1.6	1.3
Horizon Square Suspended 200mm	TI 805-14	0.2	1	1.5	1.7	2	2.1	1.6
Horizon Square Suspended 400mm	TI 805-13	0.5	1	1.3	1.8	2.2	2.3	1.6
Horizon Square Suspended 800mm	TI 805-12	0.7	0.8	1.4	2.1	2.5	2.4	1.7

All results are reported in Metric Sabin · per unit. Equivalent sound absorption area according to ISO 354 measurement of sound absorption in a reverberation room. Average Absorption (Sabins per unit) calculated at one-third octave bands centred on 250 Hz, 500 Hz, 1000 Hz and 2000 Hz, and rounded to the nearest 0.05.

PRODUCT SPECIFICATIONS

Product Name Horizon™ Square
Composition 100% Polyester Fibre;
 Aluminium Channel
Panel Dimensions 1200mm x 1200mm
Tolerance (+/-0.5mm) (+/-0.5mm)
Thickness 24mm
Tolerance (+/- 6%)
Weight 4600gsm

INSTALLATION

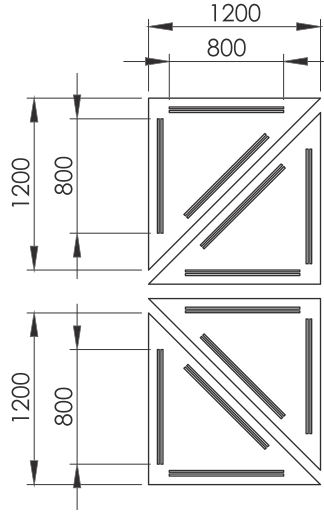
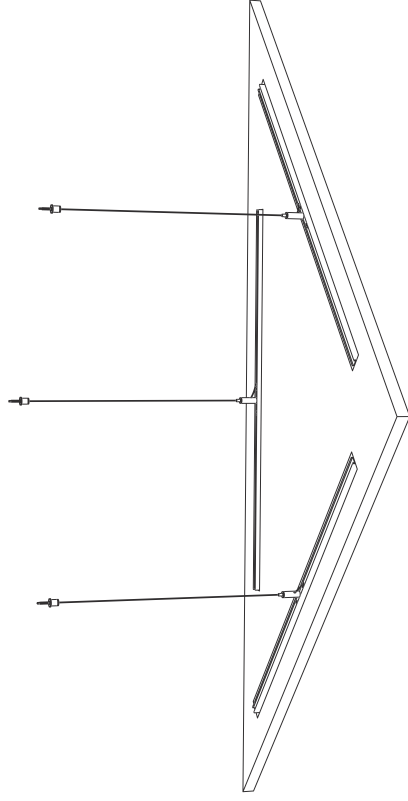
Install as per Aulex recommendations.
 Installation instructions are included in each pack

HORIZON SQUARE PACK CONTENTS

Shapes / pack	2
Suspension sets / pack (B, 2XC,D)	4
Channel lengths reqd/ pack (A)	8 x 800mm
Required number of: Clips (E) Suspension Magnets (F) Ceiling Grid Hangers (G): For Direct fixing / wall mounting or alternative suspension methods / pack	8

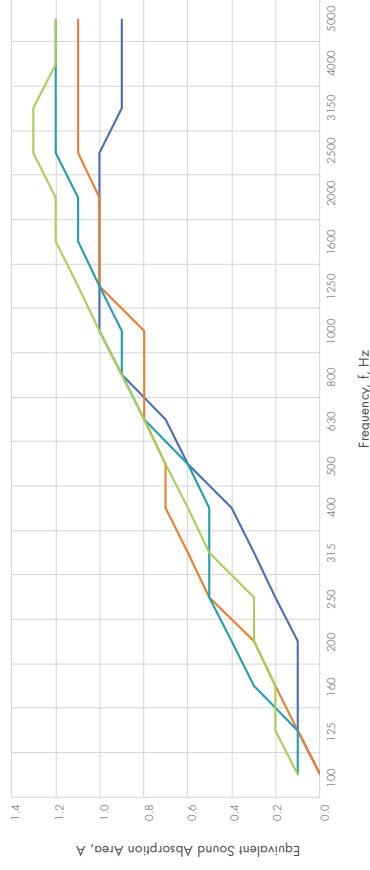
HORIZON™

DESIGN OPTIONS



DESIGN RIGHT ANGLE TRIANGLE COLOUR SEE PAGE 27 FOR FULL COLOUR RANGE

EQUIVALENT ABSORPTION AREA ACCORDING TO ISO 354.



	University of Auckland Test report Number	125	250	500	1000	2000	4000	Per Unit
Horizon Right Angle Triangle Direct Fixed on Clips	T1805-3	0.1	0.2	0.6	1	1	0.9	0.7
Horizon Right Angle Triangle Suspended 200mm	T1805-19	0.1	0.5	0.7	0.8	1	1.1	0.8
Horizon Right Angle Triangle Suspended 400mm	T1805-20	0.1	0.5	0.6	0.9	1.1	1.2	0.8
Horizon Right Angle Triangle Suspended 800mm	T1805-10	0.2	0.3	0.7	1	1.2	1.2	0.8

All results are reported in Metric Sabin · per unit. Equivalent sound absorption area according to ISO 354 measurement of sound absorption in a reverberation room. Average Absorption (Sabins per unit) calculated at one-third octave bands centred on 250 Hz, 500 Hz, 1000 Hz and 2000 Hz, and rounded to the nearest 0.05.

PRODUCT SPECIFICATIONS

Product Name Horizon™ Right Angle Triangle
Composition 100% Polyester Fibre; Aluminium Channel
Panel Dimensions 1200mm x 1200mm
Tolerance (+/-0.5mm) (+/-0.5mm)
Thickness 24mm
Tolerance (+/- 6%)
Weight 4600gsm

INSTALLATION

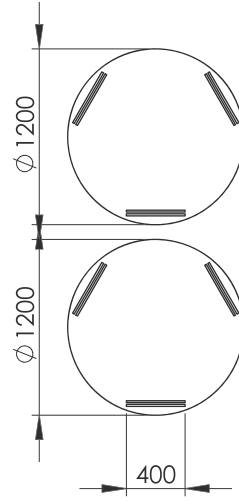
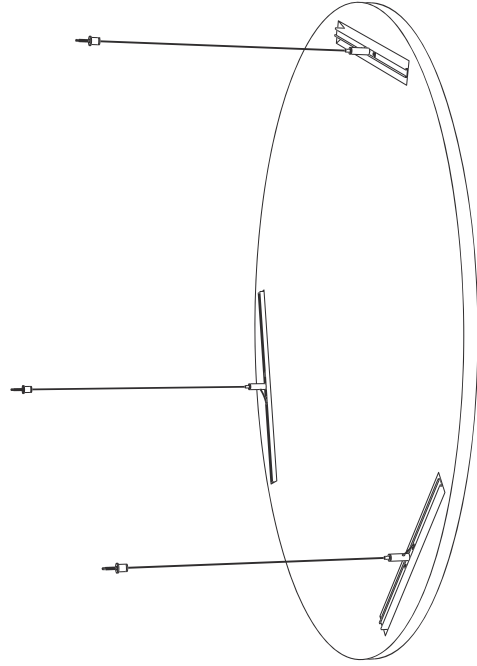
Install as per Autex recommendations.
 Installation instructions are included in each pack

HORIZON RIGHT ANGLE TRIANGLE PACK CONTENTS

Shapes / pack	4
Suspension sets / pack (B,2XC,D)	6
Channel lengths reqd/ pack (A)	12 x 800mm
Required number of: Clips (E) Suspension Magnets (F) Ceiling Grid Hangers (G). For Direct fixing / wall mounting or alternative suspension methods / pack	12

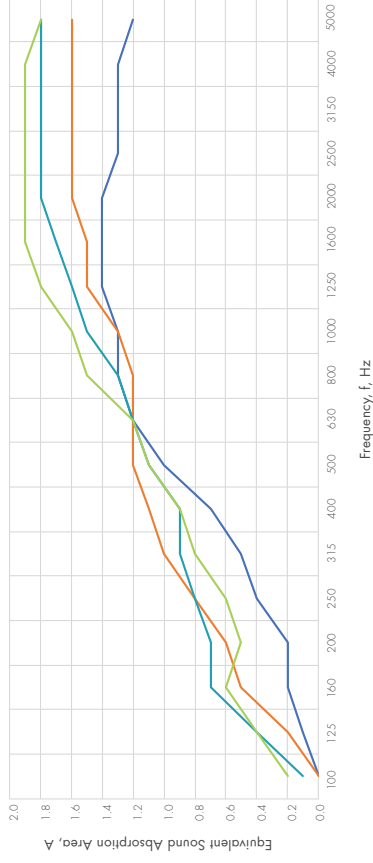
HORIZON™

DESIGN OPTIONS



DESIGN CIRCLE COLOUR SEE PAGE 27 FOR FULL COLOUR RANGE

EQUIVALENT ABSORPTION AREA ACCORDING TO ISO 354.



	University of Auckland Test report Number	125	250	500	1000	2000	4000	Per Unit
Horizon Circle Direct Fixed on Clips	T11805-5	0.1	0.4	1	1.3	1.4	1.3	1.0
Horizon Circle Suspended 200mm	T11805-15	0.2	0.8	1.2	1.3	1.6	1.6	1.2
Horizon Circle Suspended 400mm	T11805-16	0.4	0.8	1.1	1.5	1.8	1.8	1.8
Horizon Circle Suspended 800mm	T11805-9	0.4	0.6	1.1	1.6	1.9	1.9	1.3

All results are reported in Metric Sabin - per unit. Equivalent sound absorption area according to ISO 354, measurement of sound absorption in a reverberation room. Average Absorption (Sabins per unit) calculated at one-third octave bands centred on 250 Hz, 500 Hz, 1000 Hz and 2000 Hz, and rounded to the nearest 0.05.

PRODUCT SPECIFICATIONS

Product Name Horizon™ Circle
Composition 100% Polyester Fibre; Aluminium Channel
Panel Dimensions 1200mm Dia
Tolerance (+/- 0.5mm)
Thickness 24mm
Tolerance (+/- 6%)
Weight 4600gsm

INSTALLATION

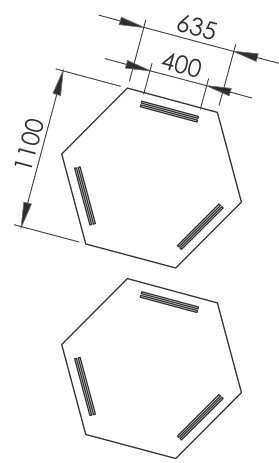
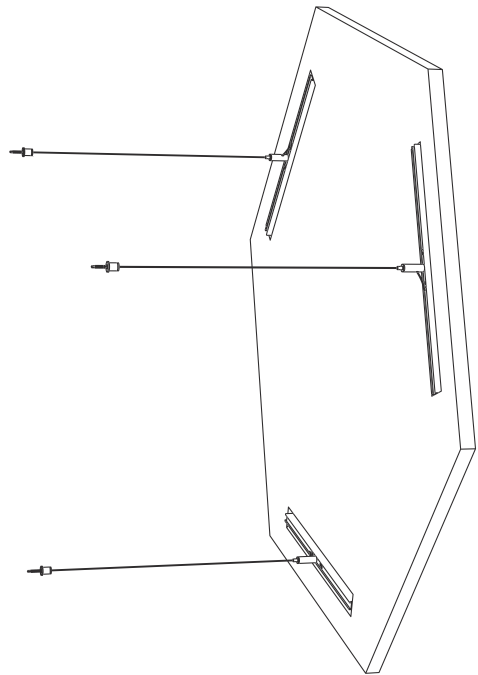
Install as per Autex recommendations.
 Installation instructions are included in each pack

HORIZON CIRCLE PACK CONTENTS

Shapes / pack	2
Suspension sets / pack (B,2XC,D)	3
Channel lengths reqd/ pack (A)	6 x 400mm
Required number of: Clips (E) Suspension Magnets (F) Ceiling Grid Hangers (G) For Direct fixing / wall mounting or alternative suspension methods / pack	6

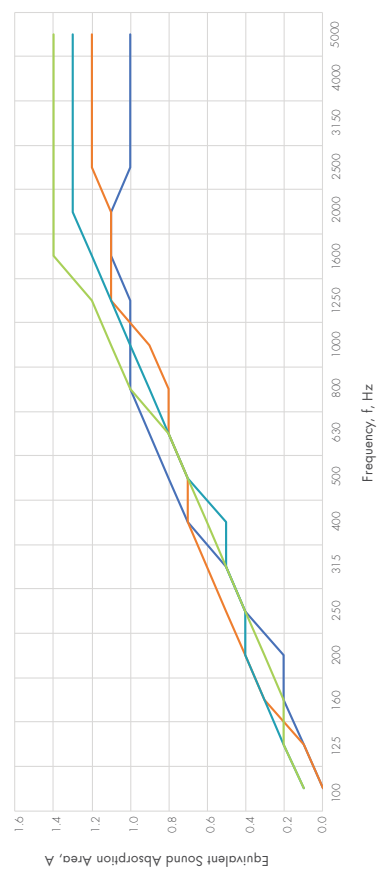
HORIZON™

DESIGN OPTIONS



DESIGN HEXAGON COLOUR SEE PAGE 27 FOR FULL COLOUR RANGE

EQUIVALENT ABSORPTION AREA ACCORDING TO ISO 354.



	University of Auckland Test report Number	125	250	500	1000	2000	4000	Per Unit
Horizon Hexagon Direct Fixed on Clips	T11805-4	0.1	0.4	0.8	1	1.1	1	0.8
Horizon Hexagon Suspended 200mm	T11805-18	0.1	0.5	0.7	0.9	1.1	1.2	0.8
Horizon Hexagon Suspended 400mm	T11805-17	0.2	0.4	0.7	1	1.3	1.3	0.9
Horizon Hexagon Suspended 800mm	T11805-8	0.2	0.4	0.7	1.1	1.4	1.4	0.9

All results are reported in Metric Sabin · per unit. Equivalent sound absorption area according to ISO 354 measurement of sound absorption in a reverberation room. Average Absorption (Sabins per unit) calculated at one-third octave bands centred on 250 Hz, 500 Hz, 1000 Hz and 2000 Hz, and rounded to the nearest 0.05.

PRODUCT SPECIFICATIONS

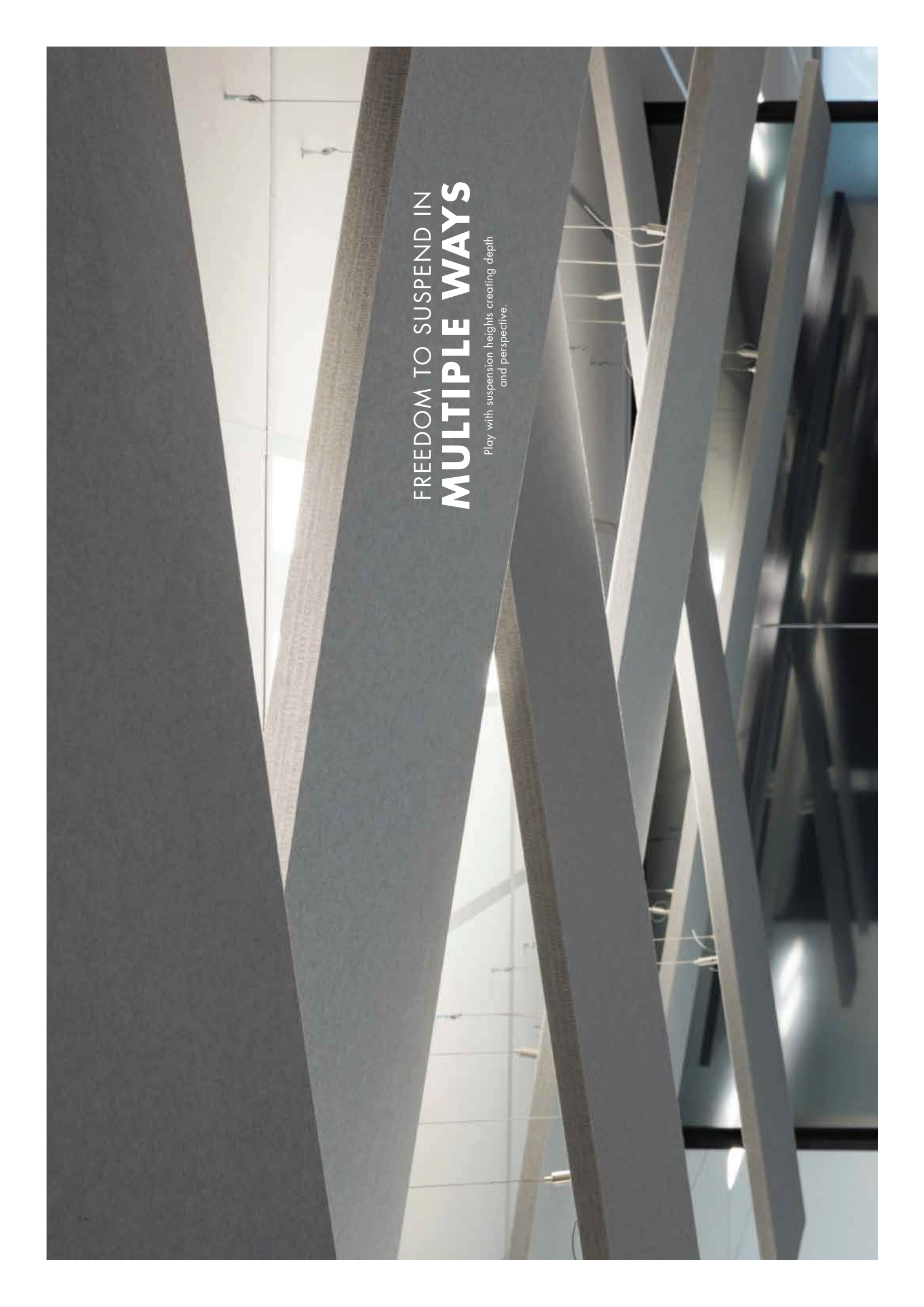
Product Name Horizon™ Hexagon
Composition 100% Polyester Fibre; Aluminium Channel
Panel Dimensions 1100mm across the flats
Tolerance (+/- 0.5mm)
Thickness 24mm
Tolerance (+/- 6%)
Weight 4600gsm

INSTALLATION

Install as per Autex recommendations.
 Installation instructions are included in each pack

HORIZON HEXAGON PACK CONTENTS

Shapes / pack	2
Suspension sets / pack (B,2XC,D)	3
Channel lengths reqd/ pack (A)	6 x 400mm
Required number of: Clips (E) Suspension Magnets (F) Ceiling Grid Hangers (G). For Direct fixing / wall mounting or alternative suspension methods / pack	6



FREEDOM TO SUSPEND IN
MULTIPLE WAYS

Play with suspension heights creating depth
and perspective.



HORIZON™
DESIGN: CUSTOM
COLOUR: PAVILION

HORIZON™ CUSTOMISATION

At Autex we understand that no two projects are the same, so why should the products and services going into them be? We are proud of our ability to customise any of our products to create a bespoke solution to meet your brief.

We are manufacturers, engineers and creatives; and with innovation at the forefront of our practice, we have the capacity to transform our products to create truly unique acoustic solutions for your space.

If you have an idea, let's work together to make it happen.

Contact Autex Preferred Supplier:
QuietArt
www.quietart.com.au

SUSPENSION KIT

When you order Horizon™ (unless additional pieces are ordered) you will receive an Autex suspension kit with parts specific to your Horizon set. Below is a breakdown of a standard suspension kit and the additional pieces available to support the different installation techniques.



PARTS SUPPLIED

Frontier™ Channel (A)
Part Number: RAFNEX

Attachment Set (B,2x,C,D)
Part Number: RAHPAS

ADDITIONAL PARTS

Clips (E)
Part Number: RAFTCC

Suspension Magnet (F)
Part Number: RAMALS1

Ceiling Grid Hanger (G)
Part Number: RADCLST2

COLOUR OPTIONS



LIGHT REFLECTANCE VALUES BY COLOUR

IRVs were measured in accordance with BS 8493:2008+A1:2010

Pavilion	78
Opera	49
Savoie	47
Senado	45
Rosada	45
Acros	42
Falling Water	36
Bosco	29
Flatiron	25

FIRE RATINGS

Horizon™ is a value-added product made from Aulex Cube™ as the base material. Cube™ has been evaluated using the following test methods:

ISO 9705: 1993

Classification: Group 1+S

Smoke Production Rate: <5.0m²/s

As required by NZBC C/WM2

AS ISO 9705 - 2003

Australian Group Number: Group 1

SMOGRARC: less than 100m²/s²

Tested using methodology AS ISO 9705:2003 in accordance with AS 5397:1:2015, as required by BCA Specification C1.10.4.

FR 40552 dated 8th October, 2013

ASTM E-84115a

Class A, FSO - SD.65

R14479-1 dated 25th January, 2016

VOC EMISSIONS

Aulex polyester has been tested for chemical emissions in accordance with ASTM D5116 and is considered as a low VOC product. VOC concentration: 0.009 mg/m³ (7 days)

WATER VAPOUR SORPTION

ASTM C1104 / C1104M-13a

Test conditions: 49°C, 95%RH

Water vapour absorbed and adsorbed after 4 days: 0.4% by weight

MICROBIAL RESISTANCE

ASTM G21-15

Growth Rating: 0 (No growth)

Horizon does not promote the growth of moulds and mildew.

COLOUR FASTNESS TO LIGHT

Horizon is suitable for indoor use only. Light fastness is dependent on use and exposure. Horizon™ has been evaluated to the following standard:

ISO 105-B02:2014

Rating: 6 (Highest = 7)

Zenith	22
Lotus	16
Galaxy	16
Iron Bank	13
Pinnacle	8
Empire	6
Tree House	3
Petronas	2

COLOUR FASTNESS TO RUBBING

ISO 105X12:2016

Dry Rating: 4-5 (Highest = 5)

Wet Rating: 4-5 (Highest = 5)

PATTERN REPEAT

Nonwoven. No pattern repeat but product has directional grain. Product may vary from samples and batch to batch due to fibre blending and lay-up which is an inherent feature of this product.

FABRIC CARE

Blot spills from fabric quickly. Wipe with a damp cloth. Avoid rubbing and excessive amounts of water as this will affect the finish. Use carpet or upholstery shampoo as directed. Blot with a clean dry cloth after each application of solution. Horizon™ is made from 24mm Cube™. Custom printed Cube requires the services of a specialist cleaning company. Refer to the Horizon Cleaning & Maintenance Guide for more information.

ENVIRONMENTAL

Aulex is committed to best practice through our ISO 9001 and ISO 14001 certified Quality and Environmental Management Systems.

Horizon contains a minimum of 45% previously recycled polyester fibre (from PET bottle/flake).

Offcuts and manufacturing waste are re-used or recycled wherever possible.

Horizon is manufactured from 100% polyester fibres and does not contain formaldehyde binders. Aulex polyester fibres support safer indoor air quality and will not become a potential airborne pollutant.

SERVICE

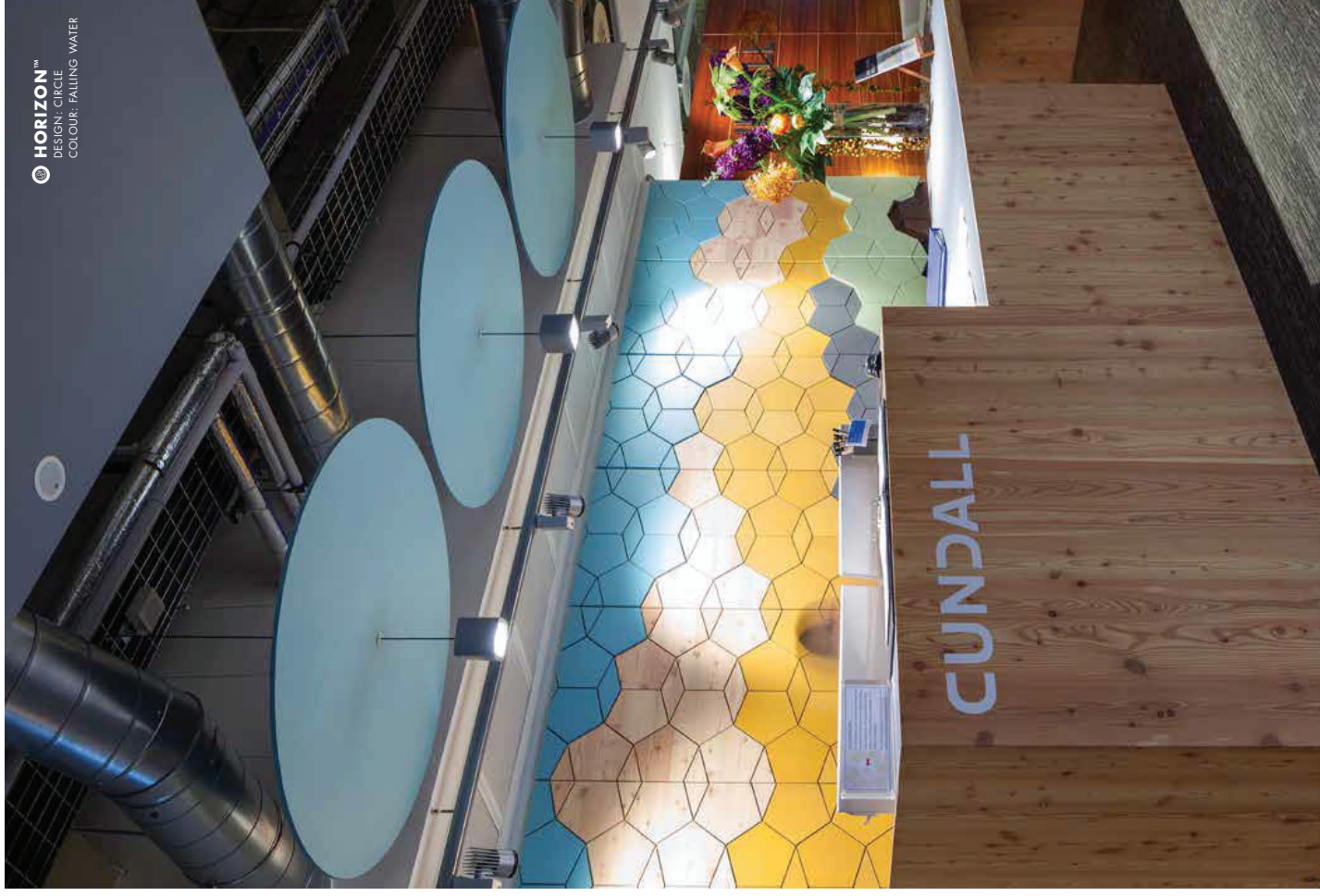
For further information about Horizon, please contact:

Aulex Preferred Supplier

QuietArt

www.quietart.com.au

0418 822 848





CARING FOR THE ENVIRONMENT

Horizon™ is manufactured using 100% polyester fibre and contains a minimum of 45% recycled fibre (from PET plastics). Our products are designed to be recycled at the end of their life too.

We have continual improvement programmes in which we implement a range of initiatives to mitigate the environmental 'hotspots' that we have identified. Our products are GreenRate Level A, ICARate Gold and PHD level platinum certified.

Horizon™ is made from Cube™ which is Declare™ certified to be Red List free and can be used in Living Building Challenge projects. Autex has a high functioning Environmental Management System (ISO 14001) to enhance our environmental performance and contribute to sustainable development.

