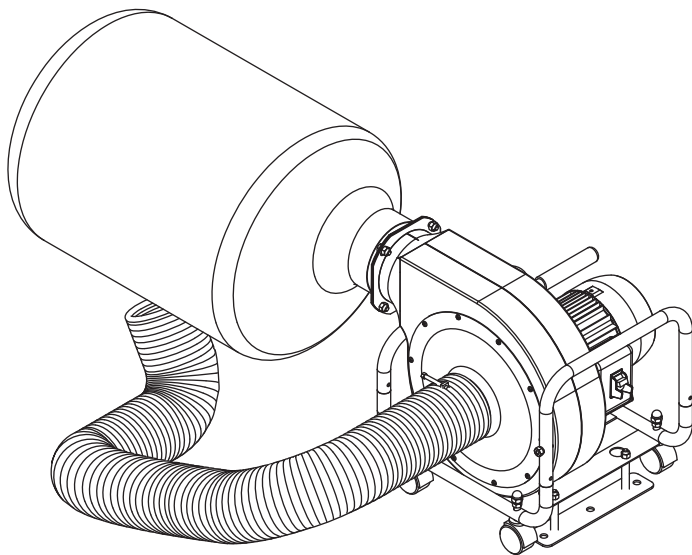


DUST COLLECTOR WITH WALL MOUNTED



Instagram

Contact Us:

email: service@bucktool.com

<https://www.bucktool.com>

 909-255-1088 (8AM-5PM PST)

IMPORTANT:

For your own safety, read and follow all of the Safety Guidelines and Operating Instructions before operating this product.

INSTRUCTION
MANUAL

TABLE OF CONTENTS

Specifications	2
Safety guidelines	3
The parts list	9
Assembly instructions	10
Operating instruction	12
Maintenance	12
Exploded view	13
Parts list	14
Warranty	16

SPECIFICATIONS

Electrical	115VAC, 60Hz , 1HP
	3 Prong Power Plug
	6' Power Cord Length
Intake Diameter	4" OD
Collection Capacity	19 Gallons
Maximum Air Flow	550 CFM

SAFETY GUIDELINES - DEFINITIONS

READ AND UNDERSTAND ALL INSTRUCTIONS

Failure to follow all instructions listed in the following pages may result in electric shock, fire, and/or serious injury.

WORK AREA

1. Keep your work area clean and well lit. Cluttered benches and dark areas invite accidents.
2. Do not operate power tools in explosive atmospheres, such as in the presence of flammable liquids, gases, or dust. Power tools create sparks which may ignite flammables.
3. Keep bystanders, children, and visitors away while operating a power tool. Distractions can cause you to lose control. Protect others in the work area from debris such as chips and sparks. Provide barriers or shields as needed.

ELECTRICAL SAFETY

1. Grounded tools must be plugged into an outlet properly installed and grounded in accordance with all codes and ordinances. Never remove the grounding prong or modify the plug in any way. Do not use any adapter plugs. Check with a qualified electrician if you are in doubt as to whether the outlet is properly grounded. If the tools should electrically malfunction or break down, grounding provides a low resistance path to carry electricity away from the user.
2. Double insulated tools are equipped with a polarized plug (one blade is wider than the other). This plug will fit in a polarized outlet only one way. If the plug does not fit fully in the outlet, reverse the plug. If it still does not fit, contact a qualified electrician to install a polarized outlet. Do not change the plug in any way. Double insulation eliminates the need for the three wire grounded power cord and grounded power supply system.
3. Avoid body contact with grounded surfaces such as pipes, radiators, ranges, and refrigerators. There is an increased risk of electric shock if your body is grounded.
4. Do not expose power tools to rain or wet conditions. Water entering a power tool will increase the risk of electric shock.
5. Do not abuse the Power Cord. Never use the Power Cord to carry the tools or pull the Plug from an outlet. Keep the Power Cord away from

- heat, oil, sharp edges, or moving parts. Replace damaged Power Cords immediately. Damaged Power Cords increase the risk of electric shock.
6. When operating a power tool out side, use an outdoor extension cord marked “W-A” or “W”. These extension cords are rated for outdoor use, and reduce the risk of electric shock.

PERSONAL SAFETY

1. Stay alert. Watch what you are doing, and use common sense when operating a power tool. Do not use a power tool while tired or under the influence of drugs, alcohol, or medication. A moment of inattention while operating power tools may result in serious personal injury.
2. Dress properly. Do not wear loose clothing or jewelry. Contain long hair. Keep your hair, clothing, and gloves away from moving parts. Loose clothes, jewelry, or long hair can be caught in moving parts.
3. Avoid accidental starting. Be sure the Power Switch is off before plugging in. Carrying power tools with your finger on the Power Switch, or plugging in power tools with the Power Switch on, invites accidents.
4. Remove adjusting keys or wrenches before turning the power tool on. A wrench or a key that is left attached to a rotating part of the power tool may result in personal injury.
5. Do not overreach. Keep proper footing and balance at all times. Proper footing and balance enables better control of the power tool in unexpected situations.
6. Use safety equipment. Always wear eye protection. Dust mask, nonskid safety shoes, hard hat, or hearing protection must be used for appropriate conditions.

SPECIFIC SAFETY RULES

1. Wear ANSI-approved safety impact eye goggles, hearing protection, and a dust mask or respirator when operating this product.
2. The Housing contains a high speed Impeller that can amputate fingers, grab loose clothing and long hair, and propel sawdust at high velocities. NEVER operate this product without the all guards and screens in place and working properly.
3. If using this product to help keep 3. airborne sawdust within acceptable limits,

you must regularly monitor airborne sawdust and maintain the Tool to avoid exceeding dust limits. Each application is unique, and your maintenance schedule must be tailored to your specific use.

4. Industrial applications must follow OSHA requirements.
5. Use the right tool or attachment for the right job. Do not attempt to force a small tool or attachment to do the work of a larger industrial tool. There are certain applications for which this product was designed. It will do the job better and more safely at the rate for which it was intended. Do not modify this product, and do not use this product for a purpose for which it was not intended.
6. Turn off the Tool and unplug the Power Cord Plug from its electrical outlet before changing accessories or performing inspection, maintenance, or cleaning procedures.
7. People with pacemakers should consult their physician(s) before use. Electromagnetic fields in close proximity to heart pacemaker could cause pacemaker interference or pacemaker failure.
8. **⚠ WARNING**
This product contains or, when used, produces a chemical known to the State of California to cause cancer and birth defects or other reproductive harm. (California Health & Safety Code § 25249.5, et seq.)
9. The warnings, precautions, and instructions discussed in this manual cannot cover all possible conditions and situations that may occur. The operator must understand that common sense and caution are factors which cannot be built into this product, but must be supplied by the operator.
10. Maintain labels and nameplates on the Tool. These carry important information. If unreadable or missing, contact Harbor Freight Tools for a replacement.

GROUNDING

TO PREVENT ELECTRIC SHOCK AND DEATH FROM INCORRECT SHOCK AND DEATH FROM INCORRECT GROUNDING WIRE CONNECTION:

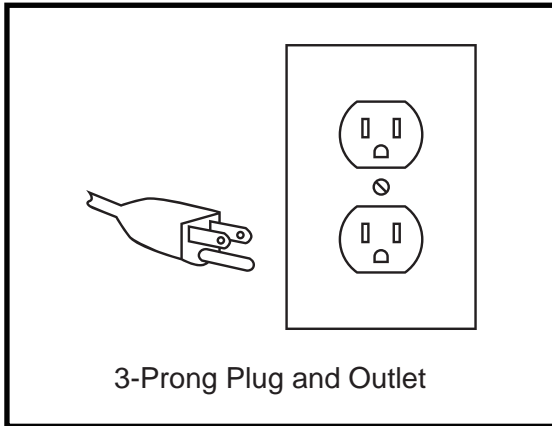


Check with a qualified electrician if you are in doubt as to whether the outlet is properly grounded. Do not modify the power cord plug provided with the tool. Never remove the grounding prong from the plug. Do not use the tool if the power cord or plug is damaged. If

damaged, have it repaired by a service facility before use. If the plug will not fit the outlet, have a proper outlet installed by a qualified electrician.

GROUNDING TOOLS

TOOLS WITH THREE PRONG PLUGS



1. Tools marked with "Grounding Required" have a three wire cord and three prong grounding plug. The plug must be connected to a properly grounded outlet. If the tool should electrically malfunction or break down, grounding provides a low resistance path to carry electricity away from the user, reducing the risk of electric shock. (See 3-Prong Plug and Outlet.)
2. The grounding prong in the plug is connected through the green wire inside the cord to the grounding system in the tool. The green wire in the cord must be the only wire connected to the tool's grounding system and must never be attached to an electrically "live" terminal. (See 3-Prong Plug and Outlet.)
3. The tool must be plugged into an appropriate outlet, properly installed and grounded in accordance with all codes and ordinances. The plug and outlet should look like those in the preceding illustration. (See 3-Prong Plug and Outlet.)

Extension Cords

1. Grounded tools require a three wire extension cord. Double Insulated tools can use either a two or three wire extension cord.
2. As the distance from the supply outlet increases, you must use a heavier gauge extension cord. Using extension cords with inadequately sized wire causes a serious drop in voltage, resulting in loss of power and possible tool damage. (See Table A.)
3. The smaller the gauge number of the wire, the greater the capacity of the cord. For example, a 14 gauge cord can carry a higher current than a 16 gauge cord. (See Table A.)
4. When using more than one extension cord to make up the total length, make sure each cord contains at least the minimum wire size required. (See Table A.)
5. If you are using one extension cord for more than one tool, add the nameplate amperes and use the sum to determine the required minimum cord size. (See Table A.)
6. Make sure the extension cord is properly wired and in good electrical condition. Always replace a damaged extension cord or have it repaired by a qualified electrician before using it.
7. Protect the extension cords from sharp objects, excessive heat, and damp or wet areas.

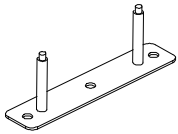
RECOMMENDED MINIMUM WIRE E FOR EXTENSION CORDS* (120/240 VOLT)					
NAMEPLATE AMPERES (at full load)	EXTENSION CORD LENGTH				
	25'	50'	75'	100'	150'
0 – 2.0	18	18	18	18	16
2.1 – 3.4	18	18	18	16	14
3.5 – 5.0	18	18	16	14	12
5.1 – 7.0	18	16	14	12	12
7.1 – 12.0	18	14	12	10	-
12.1 – 16.0	14	12	10	-	-
16.1 – 20.0	12	10	-	-	-

TABLE A * Based on limiting the line voltage drop to five volts at 150% of the rated amperes.

**TOOL USE AND CARE**

1. Use clamps (not included) or other practical ways to secure and support the workpiece to a stable platform. Holding the work by hand or against your body is unstable and may lead to loss of control.
2. Do not force the tool. Use the correct tool for your application. The correct tool will do the job better and safer at the rate for which it is designed.
3. Do not use the power tool if the Power Switch does not turn it on or off. Any tool that cannot be controlled with the Power Switch is dangerous and must be replaced.
4. Disconnect the Power Cord Plug from the power source before making any adjustments, changing accessories, or storing the tool. Such preventive safety measures reduce the risk of starting the tool accidentally.
5. Store idle tools out of reach of children and other untrained persons. Tools are dangerous in the hands of untrained users.
6. Maintain tools with care. Keep cutting tools sharp and clean. Properly maintained tools with a sharp cutting edge are less likely to bind and are easier to control. Do not use a damaged tool. Tag damaged tools "Do not use" until repaired.
7. Check for misalignment or binding of moving parts, breakage of parts, and any other condition that may affect the tool's operation. If damaged, have the tool serviced before using. Many accidents are caused by poorly maintained tools.
8. Use only accessories that are recommended by the manufacturer for your model. Accessories that may be suitable for one tool may become hazardous when used on another tool.

No.	Description	Qty.
1	Wall mount bracket	1
2	ST hex head screw	1
3	Set screw	2
4	Set screw Plastic sleeve	2
5	Lock nut	2
6	Plain washer	2
7	Hose	1
8	4" hose clamp	3
9	Dust collection bag	1
10	Caster	4
11	Remote control	1



1



2



3



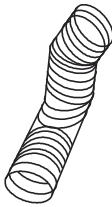
4



5



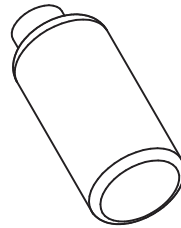
6



7



8



9



10

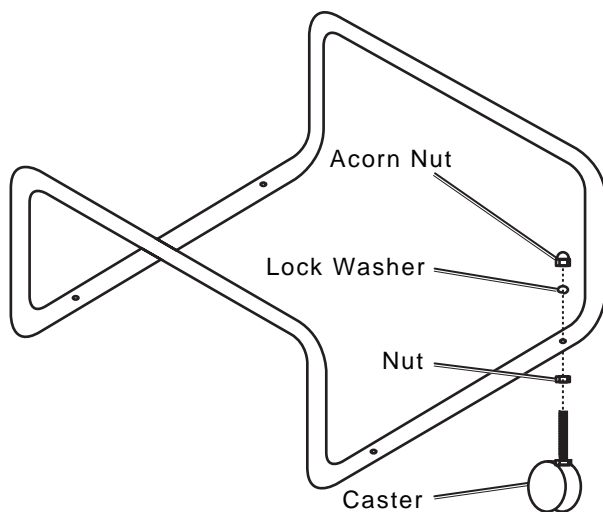


11

ASSEMBLY INSTRUCTIONS

NOTE: For additional information regarding the parts mentioned in the following pages, refer to the Assembly Diagram near the end of the manual.

1. Remove the lock washers and nuts from the caster studs.
2. Thread a nut back onto a caster's stud securely.
3. Insert the caster's stud into a hole at the bottom of the frame.
4. Slide a lock washer onto the stud. Secure the caster in place using an acorn nut.
5. Repeat steps 2 through 4 above for all casters.

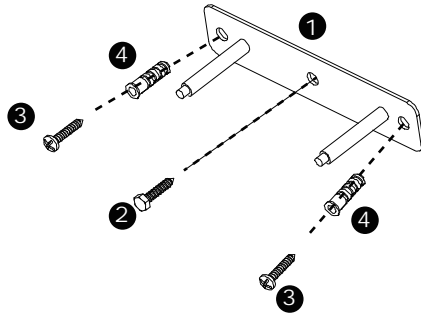


WALL MOUNT INSTRUCTIONS

⚠ CAUTION

Verify that the plate is securely attached to the wall before mounting the collector unit to the plate.

1. Mount the plate (1) to the wall by the ST hex head screw (2) and Set screw (3).

**⚠ CAUTION**

During operation, the collector unit should not vibrate excessively. If excessive vibration occurs, check tightness of all fasteners. Retighten if necessary. If excessive vibration continues, unit may have to be mounted to a different wall position, or removed entirely from wall mount operation.

To hang the unit from the plate:

1. Do not remove the caster from the unit base.
2. With the aid of an assistant, lift and position the unit so that the key hole slots on the unit base align with the two studs.
3. Slip the base key hole slots (A) over the stud end nuts and allow the base to rest on the stud threads.
4. Use the end nuts (5) and washers (6) to secure the base to the studs. When sufficiently tight, the caster will touch the wall surface.



OPERATING INSTRUCTIONS

NOTE: For additional information regarding the parts mentioned in the following pages, refer to the Assembly Diagram near the end of the manual.

1. Turn the Power Switch off. Then, plug the Power Cord Plug into the nearest 120 volt, grounded, electrical outlet.
2. Connect the Dust Collector to a woodworking machine's dust port using appropriate dust collection hoses and clamps (sold separately), then turn the Dust Collector on. After, turn on the machine.

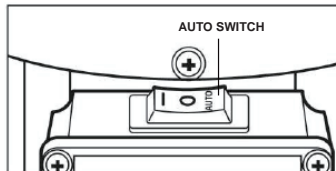
⚠ WARNING Only attach this dust collector to a woodworking machine.

3. When finished using the Dust Collector turn it off. Unplug the Power Cord Plug from its electrical outlet. Then store the Dust Collector in a safe, clean, dry location out of reach of children and unauthorized users.

USING THE REMOTE CONTROL

Also you can use the remote control to control the dust collector.

1. Turn the switch to the "AUTO" position.
2. Press the "on" button on the remote control, then the dust collector will start.
3. Press the "off" button on the remote control, then the dust collector will turn off.

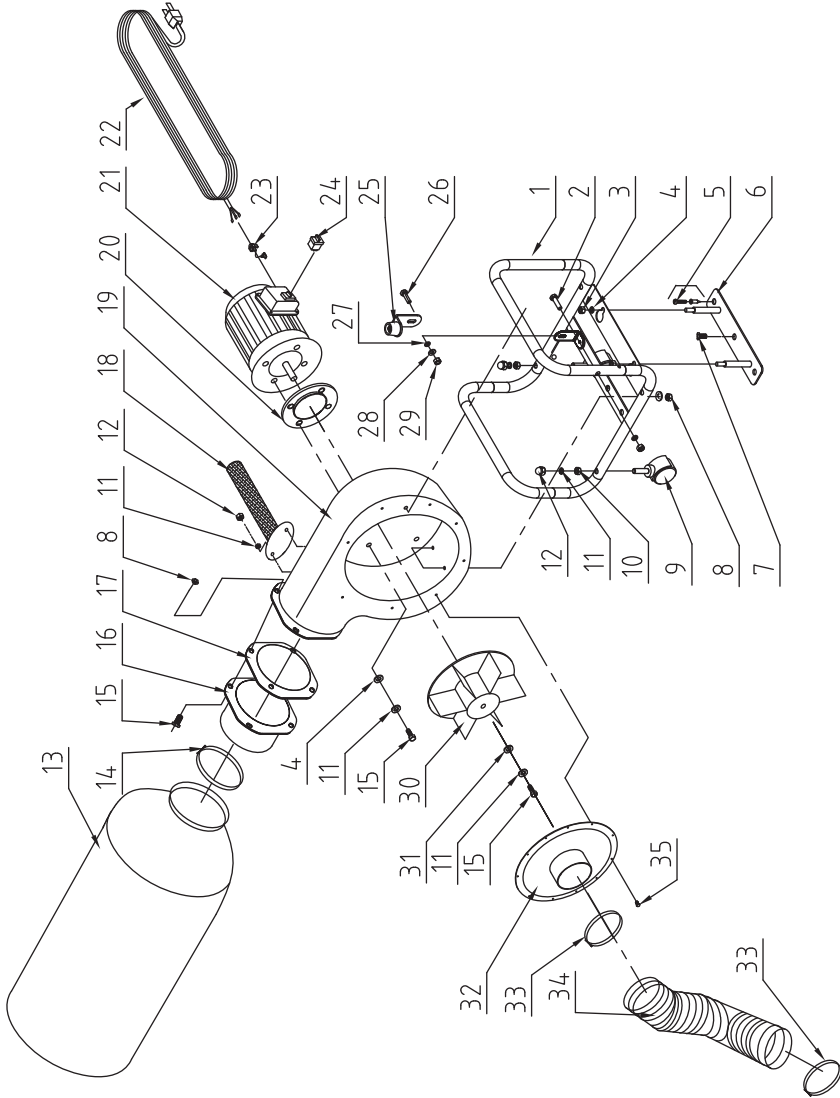


INSPECTION, MAINTENANCE, AND CLEANING

⚠ WARNING

Always make sure the Power Switch is in its "OFF" position, and unplug the Power Cord/Plug from its 120 volt electrical outlet before performing any inspection, adjustments, maintenance, or cleaning.

1. Before each use, inspect the general condition of the Tool. Check for loose screws, misalignment or binding of moving parts, cracked or broken parts, damaged electrical wiring, and any other condition that may affect its safe operation. If abnormal noise or vibration occurs, have the problem corrected before further use.
Do not use damaged equipment.
2. Daily: With a soft brush, cloth, or vacuum, remove all dust and debris from the exterior of the Tool.
3. All maintenance, service, or repairs not listed in this manual are only to be attempted by a qualified service technician.



EXPLODED VIEW

Package contents

ID	Description	SIZE	Qty.
1	Base Assy		1
2	Hex Bolt	M8*32	1
3	Locking Nut	M8	2
4	Flat Washer	D8	7
5	Self-tapping Screw	ST6.3*32	2
6	Wall Mount Bracket Assy		1
7	Self-tapping Screw	ST9.5*50	1
8	Hex Flange Nut	M8	7
9	Caster		4
10	Hex Bolt	M8	4
11	Spring Washer	D8	12
12	Cap Nut	M8	6
13	Collector Bag		1
14	5" Clamp		1
15	Hex Flange Bolt	M8*20	8
16	Outlet		1
17	Outlet Gasket		1
18	Handle		1
19	Blower Housing		1
20	Motor Gasket		1
21	Motor		1
22	Cord & Plug		1
23	Plug Clip		1
24	Switch		1
25	Motor Bracket Assy		1
26	Step Bolt	M6*20	1
27	Flat Washer	D6	1
28	Spring Washer	D6	1
29	Hex Bolt	M6	1
30	Fan Assy		1
31	Fan Spacer		1
32	Blower Housing Cover		1
33	4" Clmap		2
34	4" Hose		1
35	Self-tapping Screw	ST4.2*13	10

Brand Story

Buck It, Redefining Efficiency -- BUCKTOOL

We're BUCKTOOL. We've been dealing with the manufacturing of power tools for many years. Our concept focus on Customer Priority ,High Quality Standard, Impeccable After Sale Service which has allowed us to deliver products with high quality, excellent customer service and reasonable price to our customers. This lethal trio is embedded in to the core of our brand and is what allows to be the unique power tools manufacturer and supplier worldwide. Our business, experience, and technology is built on a foundation of power tools expertise we've built for decades. Through a combination of years of hard work and experience we've been able to bring you the BUCKTOOL brand you see today. We live for challenges and strive to make our customers 100% satisfied. What BUCKTOOL does for customers is special, and we want to share this with you.

Brand Concept

Redefining Efficiency -- BUCKTOOL.

Customer Priority ,High Quality Standard,Impeccable After Sale Service

This is a concept that is at the core of everything we do as a brand and it is what allowed us to become the brand we are today.

The Customer Priority ,High Quality Standard,Impeccable After Sale Service is a commitment that starts at the design of our products and ends with our customers receiving their end product. We possess the capability to produce expertise but affordable products, combine this with personalized design and deliver this all with exclusive products to our customers. This trio is what separates us from other brand who only provide what we provide at a fraction of the expertise. We are able to deliver our Customer Priority ,High Quality Standard,Impeccable After Sale Service through out the entire delivery process of our product lines and this concept is what drives us every day at BUCKTOOL to be the brand we are.

**ONE-YEAR LIMITED WARRANTY**

Having Problems ?

Give us a chance to help you before returning this product

Email : service@bucktool.com

<https://www.bucktool.com>

 909-255-1088 (8AM-5PM PST)

***Bucktool***

<https://www.bucktool.com>