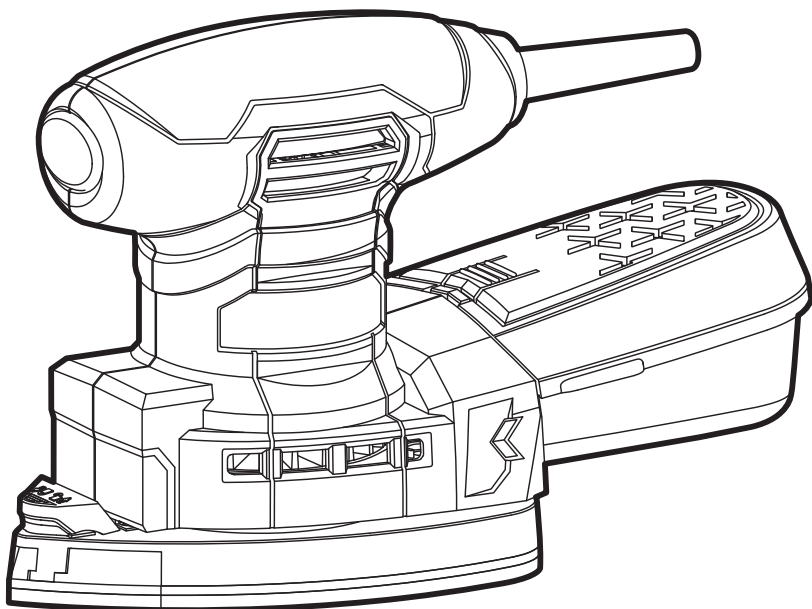


HAMMERHEAD™



1.4 AMP DETAIL SANDER

MODEL HADS014



ATTACH YOUR RECEIPT HERE

Serial Number _____ Purchase Date _____



Questions, problems, missing parts? Before returning to your retailer, call our customer service department at 1-877-888-1880, 8:30 a.m. – 8:00 p.m. EST (Monday – Friday) & 10:00 a.m. – 6:00 p.m. EST (Saturday and Sunday).

TABLE OF CONTENTS

| | |
|----------------------------------|----|
| Product Specifications | 3 |
| Safety Information | 4 |
| Preparation. | 8 |
| Package Contents. | 9 |
| Operating Instructions | 10 |
| Care and Maintenance | 14 |
| Extension Cords | 14 |
| Troubleshooting | 15 |
| Warranty. | 16 |

WARNING

- Some dust created by power sanding, sawing, grinding, drilling and other construction activities contains chemicals known to the State of California to cause cancer, birth defects or other reproductive harm. Some examples of these chemicals are:
 - Lead from lead-based paints.
 - Crystalline silica from bricks, cement, and other masonry products.
 - Arsenic and chromium from chemically-treated lumber.
- Your risk from these exposures varies, depending upon how often you do this type of work. To reduce your exposure to these chemicals:
 - Work in a well-ventilated area.
 - Work with approved safety equipment, such as dust masks that are specially designed to filter out microscopic particles.
 - Avoid prolonged contact with dust from power sanding, sawing, grinding, drilling, and other construction activities. Wear protective clothing and wash exposed areas with soap and water. Allowing dust to get into your mouth or eyes or to lie on the skin may promote absorption of harmful chemicals.

SAFETY INFORMATION

PRODUCT SPECIFICATIONS

| COMPONENT | SPECIFICATIONS |
|----------------------|--------------------|
| Power Input | 120V~, 60Hz, 1.4 A |
| No load Speed, n_0 | 12,000/min |
| Sanding Base | 3-3/5"x5-2/5" |

Please read and understand this entire manual before attempting to assemble or operate this product. If you have any questions regarding the product, please call Hammerhead customer service at 1-877-888-1880, 8:30 a.m. – 8:00 p.m. EST (Monday – Friday) & 10:00 a.m. – 6:00 p.m. EST (Saturday and Sunday).

WARNING

The operation of any power tool can result in foreign objects being thrown into your eyes, which can result in severe eye damage. Before beginning power-tool operation, always wear safety goggles or safety glasses with side shields and a full-face shield, when needed. We recommend using a wide vision safety mask over eyeglasses or standard safety glasses with shields. Always use eye protection marked to comply with ANSI Z87.1.

DANGER







People with electronic devices, such as pacemakers, should consult their physician(s) before using this product. Operation of electrical equipment in close proximity to a heart pacemaker could cause interference or failure of the pacemaker.

Know the Tool

To operate this tool, carefully read this manual and all labels affixed to the detail sander before using it. Keep this manual available for future reference.

Some of the following symbols may be used on this detail sander. Please study them and their meaning. Proper interpretation of these symbols will allow you to operate the tool better and more safely.

SAFETY INFORMATION

| SYMBOL | DEFINITION | SYMBOL | DEFINITION |
|---|-----------------------|---|--|
| V | Volts | n_0 | No-load Speed |
| A | Amps | /min | Revolutions or reciprocations per minute (rpm) |
| Hz | Hertz |  | Class II tool |
| W | Watts |  | Alternating Current |
|  | Caution |  | Always wear safety goggles or safety glasses with side shields and a full face shield when operating this product. |
|  | Read the instructions |  | This symbol designates that this tool is listed by the Intertek Testing Services, to United States Standards. |

IMPORTANT: This tool should only be serviced only by a qualified service technician.

IMPORANT SAFETY INSTRUCTIONS

SAVE THESE INSTRUCTIONS-This manual contains important safety and operating instructions for detail sander Model HADS014.

DANGER

To reduce the risk of fire or electric shock, carefully follow these operating instructions.

GENERAL POWER TOOL SAFETY WARNINGS

WARNING

Read all safety warnings, instructions, illustrations and specifications provided with this power tool. Failure to follow all instructions listed below may result in electric shock, fire and/or serious injury.

SAVE ALL WARNINGS AND INSTRUCTIONS FOR FUTURE REFERENCE.

The term “power tool” in the warnings refers to your mains-operated (corded) power tool or battery-operated (cordless) power tool.

Work area safety

- **Keep work area clean and well lit.** Cluttered or dark areas invite accidents.

SAFETY INFORMATION

- **Do not operate power tools in explosive atmospheres, such as in the presence of flammable liquids, gases or dust.** Power tools create sparks which may ignite the dust or fumes.
- **Keep children and bystanders away while operating a power tool.** Distractions can cause you to lose control.

Electrical safety

- **Power tool plugs must match the outlet. Never modify the plug in any way. Do not use any adapter plugs with earthed (grounded) power tools.** Unmodified plugs and matching outlets will reduce risk of electric shock.
- **Avoid body contact with earthed or grounded surfaces, such as pipes, radiators, ranges and refrigerators.** There is an increased risk of electric shock if your body is earthed or grounded.
- **Do not expose power tools to rain or wet conditions.** Water entering a power tool will increase the risk of electric shock.
- **Do not abuse the cord. Never use the cord for carrying, pulling or unplugging the power tool. Keep cord away from heat, oil, sharp edges or moving parts.** Damaged or entangled cords increase the risk of electric shock.
- **When operating a power tool outdoors, use an extension cord suitable for outdoor use.** Use of a cord suitable for outdoor use reduces the risk of electric shock.
- **If operating a power tool in a damp location is unavoidable, use a ground fault circuit interrupter (GFCI) protected supply.** Use of a GFCI reduces the risk of electric shock.

Personal safety

- **Stay alert, watch what you are doing and use common sense when operating a power tool. Do not use a power tool while you are tired or under the influence of drugs, alcohol or medication.** A moment of inattention while operating power tools may result in serious personal injury.
- **Use personal protective equipment. Always wear eye protection.** Protective equipment such as a dust mask, non-skid safety shoes, hard hat or hearing protection used for appropriate conditions will reduce personal injuries.
- **Prevent unintentional starting. Ensure the switch is in the off-position before connecting to power source and/or battery pack, picking up or carrying the tool.** Carrying power tools with your finger on the switch or energising power tools that have the switch on invites accidents.
- **Remove any adjusting key or wrench before turning the power tool on.** A wrench or a key left attached to a rotating part of the power tool may result in personal injury.

SAFETY INFORMATION

- **Do not overreach. Keep proper footing and balance at all times.** This enables better control of the power tool in unexpected situations.
- **Dress properly. Do not wear loose clothing or jewellery. Keep your hair and clothing away from moving parts.** Loose clothes, jewellery or long hair can be caught in moving parts.
- **If devices are provided for the connection of dust extraction and collection facilities, ensure these are connected and properly used.** Use of dust collection can reduce dust-related hazards.
- **Do not let familiarity gained from frequent use of tools allow you to become complacent and ignore tool safety principles.** A careless action can cause severe injury within a fraction of a second.

Power tool use and care

- **Do not force the power tool. Use the correct power tool for your application.** The correct power tool will do the job better and safer at the rate for which it was designed.
- **Do not use the power tool if the switch does not turn it on and off.** Any power tool that cannot be controlled with the switch is dangerous and must be repaired.
- **Disconnect the plug from the power source and/or remove the battery pack, if detachable, from the power tool before making any adjustments, changing accessories, or storing power tools.** Such preventive safety measures reduce the risk of starting the power tool accidentally.
- **Store idle power tools out of the reach of children and do not allow persons unfamiliar with the power tool or these instructions to operate the power tool.** Power tools are dangerous in the hands of untrained users.
- **Maintain power tools and accessories. Check for misalignment or binding of moving parts, breakage of parts and any other condition that may affect the power tool's operation. If damaged, have the power tool repaired before use.** Many accidents are caused by poorly maintained power tools.
- **Keep cutting tools sharp and clean.** Properly maintained cutting tools with sharp cutting edges are less likely to bind and are easier to control.
- **Use the power tool, accessories and tool bits etc. in accordance with these instructions, taking into account the working conditions and the work to be performed.** Use of the power tool for operations different from those intended could result in a hazardous situation.

SAFETY INFORMATION

- **Keep handles and grasping surfaces dry, clean and free from oil and grease.** Slippery handles and grasping surfaces do not allow for safe handling and control of the tool in unexpected situations.

Service

- **Have your power tool serviced by a qualified repair person using only identical replacement parts.** This will ensure that the safety of the power tool is maintained.

ADDITIONAL SAFETY WARNINGS

- **Unplug the sander before changing accessories.** Accidental start-ups may occur if sander is plugged in while changing an accessory.
- **Use clamps or other practical way to secure and support the workpiece to a stable platform.** Holding the work by hand or against your body is unstable and may lead to loss of control.
- **Your tool is equipped with a dust canister, empty it frequently, after completion of sanding and before storing the sander.** Be extremely careful of dust disposal, materials in fine particle form may be explosive. Do not throw sanding dust on an open fire. Combustion from mixture of varnishes, lacquers, polyurethane, oil or water with dust particles can occur if there is a static discharge, spark introduced in the box, or excessive heat.
- **Always wear eye protection and a dust mask for dusty applications and when sanding overhead.** Sanding particles can be absorbed by your eyes and inhaled easily and may cause health complications.
- **Do not wet sand with this sander.** Liquids entering the motor housing is an electrical shock hazard.
- **Do not use sandpaper intended for larger sanding pads.** Larger sandpaper will extend beyond the sanding pad causing snagging, tearing of the paper or kick-back. Extra paper extending beyond the sanding pad can also cause serious lacerations.
- Keep the cord away from the spinning pad and sandpaper. The cord can become entangled with the pad.
- GFCI and personal protection devices like electrician's rubber gloves and footwear will further enhance your personal safety.
- **Do not use AC only rated tools with a DC power supply.** While the tool may appear to work, the electrical components of the AC rated tool are likely to fail and create a hazard to the operator.
- **Keep handles dry, clean and free from oil and grease.** Slippery hands cannot safely control the power tool.

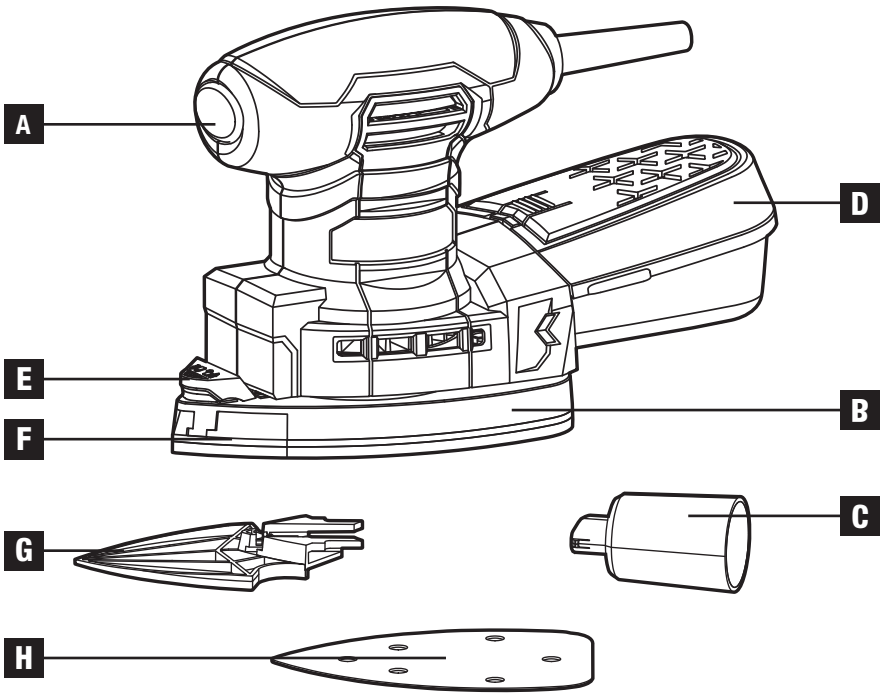
SAFETY INFORMATION

- **Develop a periodic maintenance schedule for your tool. When cleaning a tool be careful not to disassemble any portion of the tool since internal wires may be misplaced or pinched or safety guard return springs may be improperly mounted.** Certain cleaning agents such as gasoline, carbon tetrachloride, ammonia, etc. may damage plastic parts.
- Risk of injury to user. The power cord must only be serviced by a HAMMERHEAD Factory Service Center or Authorized HAMMERHEAD Service Station.

PREPARATION

Before attempting to use the detail sander, familiarize yourself with all of its operating features and safety requirements.

PACKAGE CONTENTS



| PARTS | DESCRIPTION |
|-------|---|
| A | ON/OFF switch |
| B | Hook & Loop base |
| C | Dust extraction tube (with vacuum adaptor compatible with 1-1/4" hose) |
| D | Dust extraction box |
| E | Attachment lock/unlock button |
| F | Diamond tip shape attachment |
| G | Triangle shape attachment |
| H | 120# Sanding paper (x6), 80# Sanding paper(x6) |

OPERATING INSTRUCTIONS

1. Selecting the right grade of sanding paper

Different grades of sanding paper can be purchased from the store where you purchased the tool. Available grades are: Coarse, Medium and Fine.

Use a coarse grit to sand down rough finishes, medium grit to smooth the work and fine grit to finish off.

It is best to make a trial run on a scrap piece of material to determine the optimum grades of sanding paper for a particular job.

| PARTS DESCRIPTION | | |
|-------------------|-------------|--|
| Grit | Type | Example of use |
| 60 or less | Very Coarse | Material removal, heavy paint removal, shaping wood |
| 80-100 | Coarse | Paint removal, rough surface preparation (eg. non-planed wood) |
| 120-150 | Medium | Surface preparation planed wood |
| 180-220 | Fine | Sanding between coats |
| 240 or more | Very fine | Final finishing |

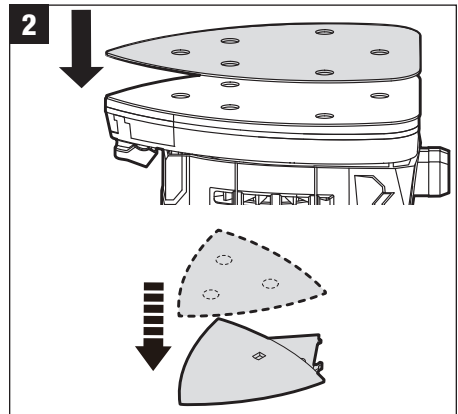
2. Attaching sanding paper

⚠ WARNING: Always ensure the tool is switched off and the plug is removed before making any adjustments or maintenance procedures.

- Select the required grade of sanding paper.
- Remove any dust or debris from the hook and loop of the base.
- To attach hook & loop type sanding paper simply align the holes in the sanding paper with the holes in the sanding base and press firmly into place.
- To remove the sanding paper, peel it away from the base.

⚠ WARNING: Do not continue to use the sander with a sanding paper that is overworn or damaged.

⚠ WARNING: Do not use the same sanding paper for wood and metal. Metal particles become embedded in the sanding paper and will scour a wooden surface.



OPERATING INSTRUCTIONS

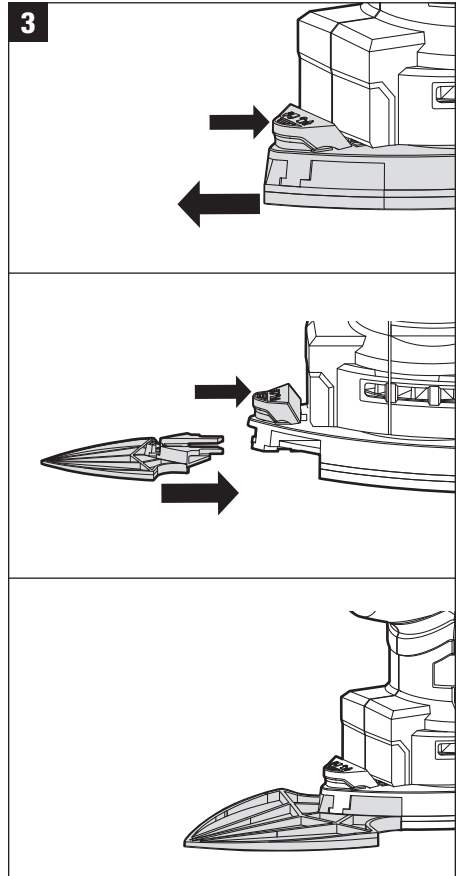
⚠ WARNING: Take care to regularly clean out the build up of dust on the base

underneath the sanding paper and not to let the sanding paper wear completely down before replacing it. Failure to observe these two precautionary measures can lead to damage to the hooks and loops on the base and the sanding paper will not attach properly.

3. Mounting triangle shape attachment

⚠ WARNING: Always ensure the tool is switched off and the plug is removed before making any adjustments or maintenance procedures.

- a) Push back the attachment lock/unlock button and hold it.
- b) Turn the product upside down and slide diamond tip shape attachment
- c) Attaching triangle shape attachment.
- d) Install corresponding sanding paper to the attachment.



OPERATING INSTRUCTIONS

4. Dust extraction

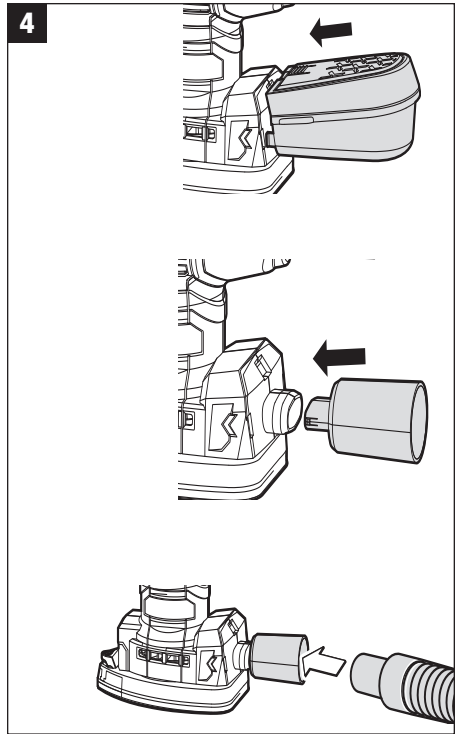
We recommend the use of the dust extraction facility at all times.

Simply slide the dust extraction tube or box onto the dust extraction port and slide fully in to keep it in position. The dust extraction tube can be connected with a dust extraction system or a suitable vacuum cleaner.

Always keep the dust extraction holes in the sanding base free of obstructions.

To remove the dust extraction tube or box, simply pull away from the tool

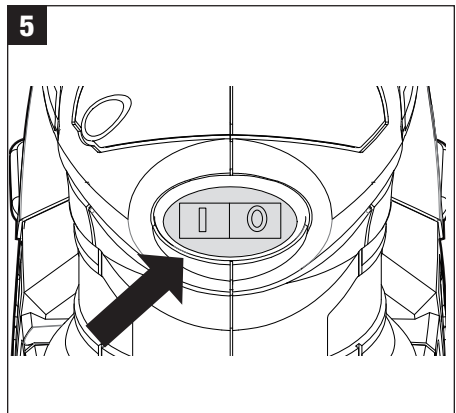
! **WARNING:** Do not use the dust extraction box when sanding metal. The hot metal particles could cause residual wood dust or the box itself to catch fire.



5. Switch on and off

- Switch the sander on by pressing the “I” mark of the on/off switch.
- To turn off the sander, press the “O” mark of the on/off switch.

! **WARNING:** Always lift the sander from the work before switching on or switch off.



OPERATING INSTRUCTIONS

6. Sanding

The sander can be used for most sanding operations on materials such as wood, plastic, metal and painted surfaces.

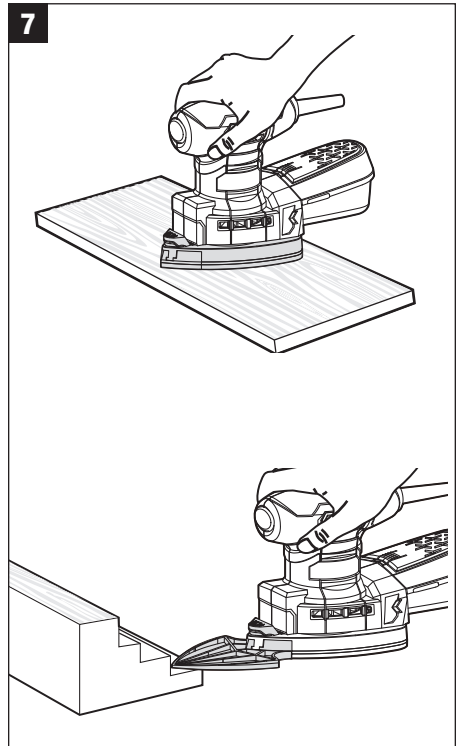
Where possible, secure smaller workpiece to prevent them from moving under the sander. Lower the sander in contact with the workpiece without pressure and then start the sander. Move the sander slowly over the surface of the workpiece in a circular or curved motion with an even, moderate pressure.

If there are still scratches on your work after sanding, try either of the following:

- Go back to a coarser grit and sand the marks out before recommencing with the original choice.
- Try using new sanding sheet of the same grit to eliminate the unwanted marks before progressing to a finer grit and finishing the job.

7. Application Advice

- Use the tool with its standard backing pad for sanding large work surfaces, corners, and edges.
- Use the tool with triangle shape attachment for hard-to-reach areas.



CARE AND MAINTENANCE

⚠ WARNING: Always disconnect the device before performing any adjustment or maintenance operation. If the supply cord is damaged, it must be replaced by the manufacturer or its service agent in order to avoid a hazard.

Disconnect from the power supply immediately if the supply cord is damaged. Take care not to expose this tool to the rain.

If the carbon brushes need to be replaced, have this done by a qualified repair person (always replace the two brushes at the same time)

1. Cleaning

Avoid using solvents when cleaning plastic parts. Most plastic parts are susceptible to damage from various types of commercial solvents and may be damaged by their use. Use clean cloths to remove dirt, carbon dust, etc.

2. Lubrication

All the bearings in this tool are lubricated with a sufficient amount of high grade lubricant for the life of the unit under normal operating conditions, therefore no further lubrication is required.

EXTENSION CORDS

⚠ WARNING: If an extension cord is necessary, a cord with adequate size conductors that is capable of carrying the current necessary for your tool must be used. This will prevent excessive voltage drop, loss of power or overheating. Grounded tools must use 3-wire extension cords that have 3-prong plugs and receptacles.

NOTICE: The smaller the gauge number, the heavier the cord.

RECOMMENDED SIZES OF EXTENSION CORDS 120 VOLT ALTERNATING CURRENT TOOLS

| Tool's Ampere Rating | Cord Size in A.W.G | | | | Wire sizes in mm ² | | | |
|----------------------|---------------------|----|-----|-----|-------------------------------|------|-----|-----|
| | Cord length in feet | | | | Cord length in meters | | | |
| | 25 | 50 | 100 | 150 | 15 | 30 | 60 | 120 |
| 3-6 | 18 | 16 | 16 | 14 | 0.75 | 0.75 | 1.5 | 2.5 |
| 6-8 | 18 | 16 | 14 | 12 | 0.75 | 1.0 | 2.5 | 4.0 |
| 8-10 | 18 | 16 | 14 | 12 | 0.75 | 1.0 | 2.5 | 4.0 |
| 10-12 | 16 | 16 | 14 | 12 | 1.0 | 2.5 | 4.0 | - |
| 12-16 | 14 | 12 | - | - | - | - | - | - |

TROUBLESHOOTING

Suspected malfunctions are often due to causes that the users can fix themselves. Therefore, check the product using this section. In most cases the problem can be solved quickly.

! **WARNING:** Only perform the steps described within these instructions! All further inspection, maintenance and repair work must be performed by an authorised service centre or a similarly qualified specialist if you cannot solve the problem yourself!

| PROBLEM | POSSIBLE CAUSE | CORRECTIVE ACTION |
|------------------------------------|---|---|
| Product does not start. | Not connected to power supply. | Connect to power supply. |
| | Power cord or plug is defective. | Have the tool serviced by an Authorized Service Center. |
| | Other electrical defect to the product. | Have the tool serviced by an Authorized Service Center. |
| Product does not reach full power. | Extension cord not suitable for operation with this product | Use a proper extension cord |
| | Power source (e.g. generator) has too low voltage | Connect to another power source |
| | Air vents are blocked. | Clean the air vents |
| Unsatisfactory result | Sanding paper is worn | Replace with a new one |
| | Sanding paper not suitable for workpiece material. | Use proper sanding paper. |

WARRANTY

This detail sander is warranted to the original purchaser from the original purchase date for 24 Months, Hammerhead consumer portable power tool models will be free from defects in material or workmanship for a period of ninety days if the tool is used for professional use. Please retain your receipt.

This detail sander is warranted to the original user to be free from defects in material and workmanship. If you believe that the detail sander is defective at any time during the specified warranty period, call HAMMERHEAD support at 1-877-888-1880 to speak with a customer service agent. This warranty does not cover: (1) Part failure due to normal wear or tool abuse; (2) any parts have been altered or modified by anyone other than an authorized HAMMERHEAD personnel.

This warranty excludes bits, bulbs and accessories. This warranty gives you specific legal rights, and you may also have other rights that vary from state.