

Leveling Kit Assembly Manual



!!WARNING!! Safety is the most important aspect of enjoying this new hunting stand. Please read and comply with the steps laid out within these instructions. Failure to follow instructions may result in injury or death.



!!WARNING!! Safe use of this product is responsibility of the user. It is also the owner's responsibility to provide these instructions to future owners should the product be borrowed or sold. Failure to follow these instructions may deem you personally liable in the court of law.



!!WARNING!! Initially and periodically inspect product for wear, corrosion, cracks or deterioration that may compromise the safe operation and use of the product. Immediately discontinue use if any type of defect is noticed and contact Orion Hunting Products at (906)-767-0270. Failure to follow instructions may result in injury or death.

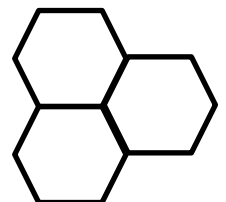


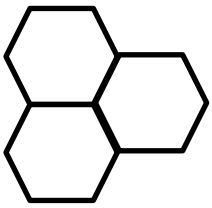
!!WARNING!! Do not modify, leave out or misuse any or all parts of this product. If there is reason to believe parts to be missing or defective, please contact Orion Hunting Products for replacement. Use only genuine Orion Hunting Product provided parts, attempting to use anything besides parts provided by manufacturer will void warranty. This product is not to be used outside the scope of its intended design and failure to follow instructions may result in injury or death.



!!WARNING!! Avoid underground utilities when anchoring. Always contact the local one-call system to prevent injury or death due to shock and electrocution, interruption of services, environmental accidents or job delays. Gas line rupture may cause explosion or fire. Contact with fiber optic cable may cause blindness due to exposure to laser light. National One-Call line is 1-888-258-0808

Any questions, comments or concerns please contact:
Orion Hunting Products at 906-767-0270





**Read
Manual**



**Injury/Death
Hazards**



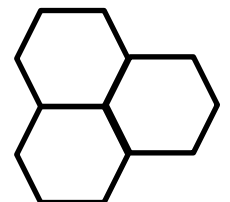
**Product Failure
Hazard**

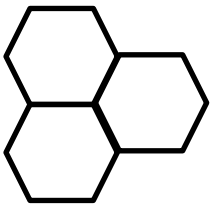


**Wind
Hazard**



**Underground
Hazard**





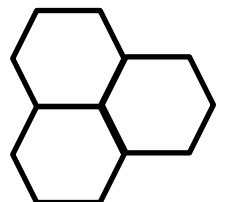
Lightning Hazard

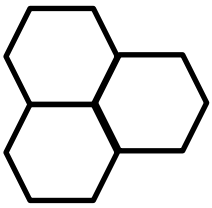


Falls Hazard



Trip Hazard





Thank you for purchasing a new Orion Hunting Products Elevated Metal Stand.

It is our overwhelming desire to ensure that you are satisfied with this product.

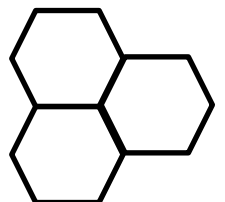
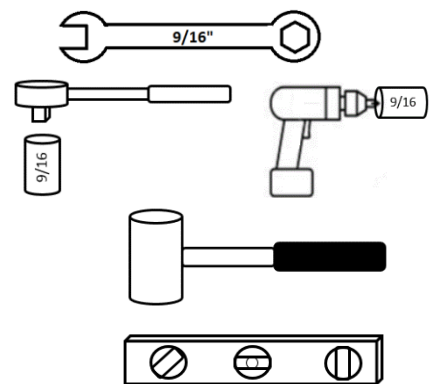
We have taken great pride in every aspect of its design and manufacturing right here in the U.S.A. and it is our hope that you can take pride in owning it.

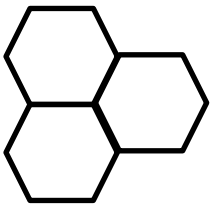
If it does not meet your expectations for any reason, please give us a call or text at (906)-767-0270 and may it truly Elevate your Pursuit.

Hunt safely without limits. Hunt Orion!

Tools Required

- 1) 9/16" Open End/Box End Combination Wrench
- 2) 9/16" Socket with Ratchet or Cordless Impact drill "preferred"
- 3) Large Hammer
- 4) Level
- 5) Knife

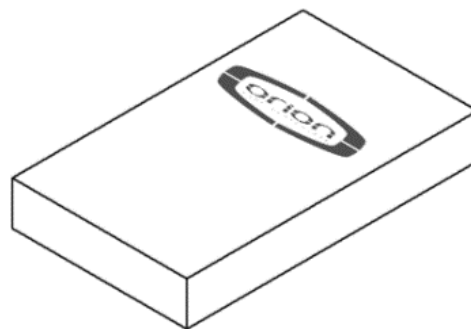
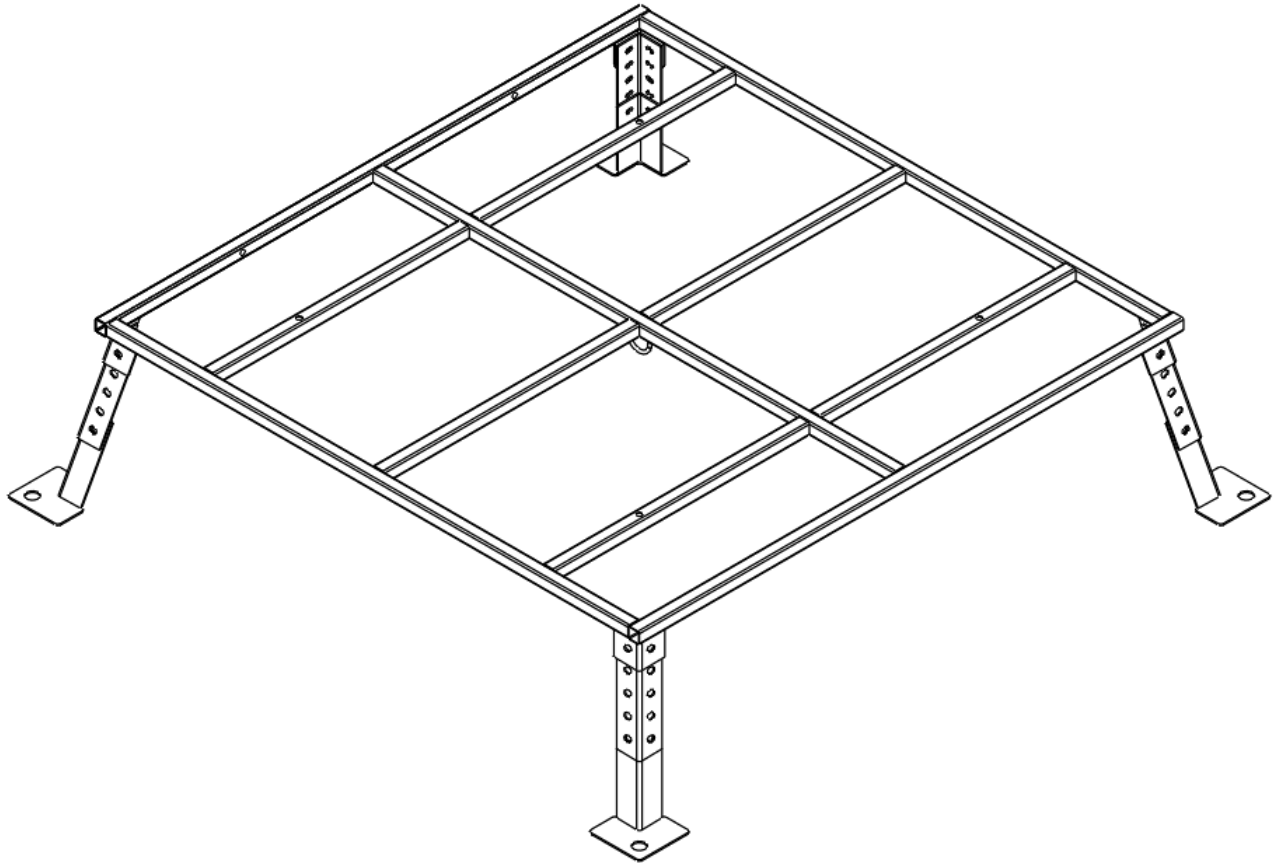




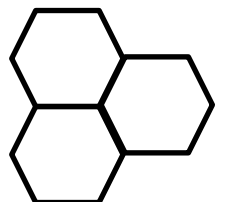
Leveling Kit Overview

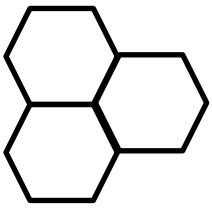
Leveling Kit Box – TWR1001504

Please read through entire assembly instructions before beginning
Stand is rated for 1,000-pound capacity of blind and occupants combined.




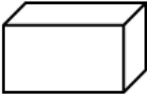
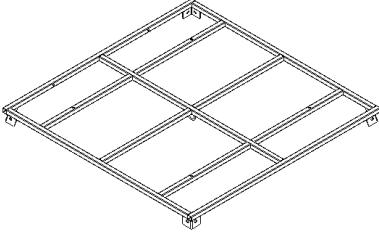
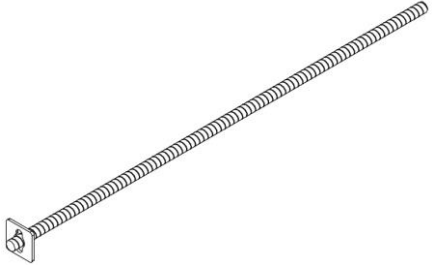
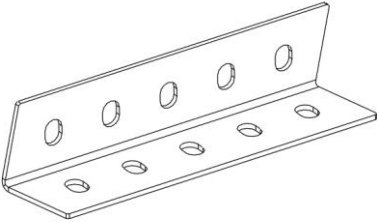
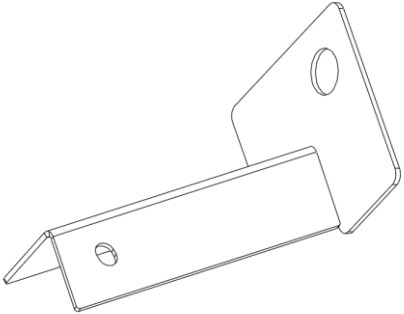
● Leveling Kit Box [TWR1001504]

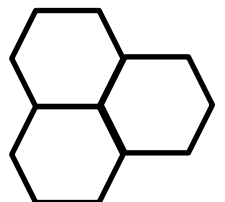




Contents

Leveling Kit Box
TWR1001504

		
		
●[1X] Platform Hardware Kit – HDW1000054	●[1X] Platform – TWR1002100	●[4X] Pound Anchor – MSC1001668
		
●[4X] Level Bracket – TWR1002171		●[4X] Level Foot – TWR1002175



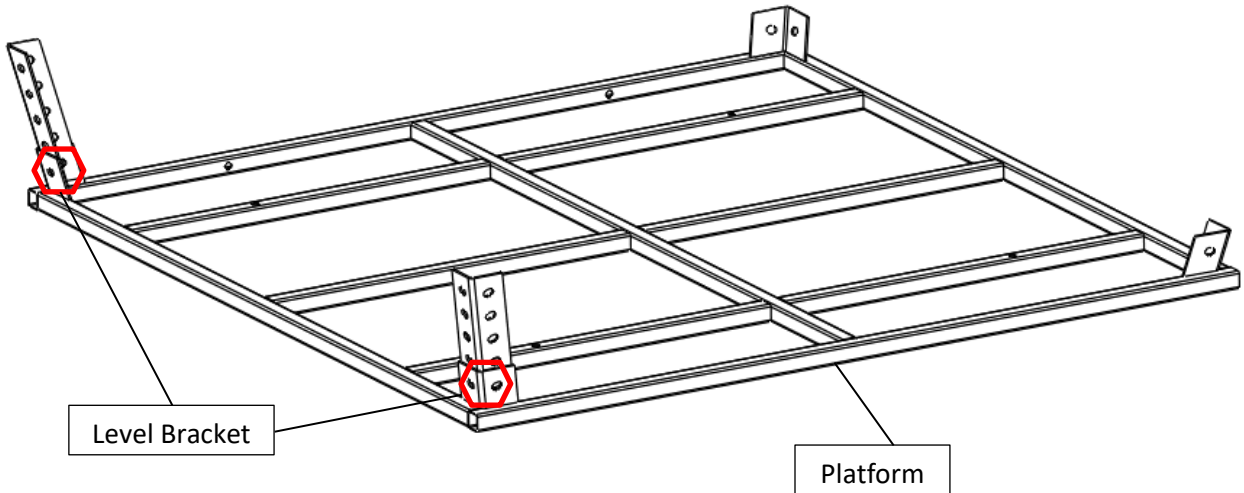


Elevated Hunting Stand Assembly

****Finger-tighten hardware initially****



1

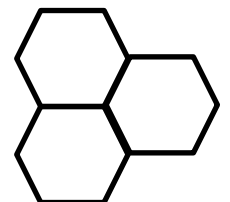


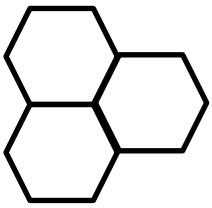
Parts:

- 1x Platform
- 4x Level Brackets
- 8x 1-1/2" Bolts
- 8x Flange Nuts

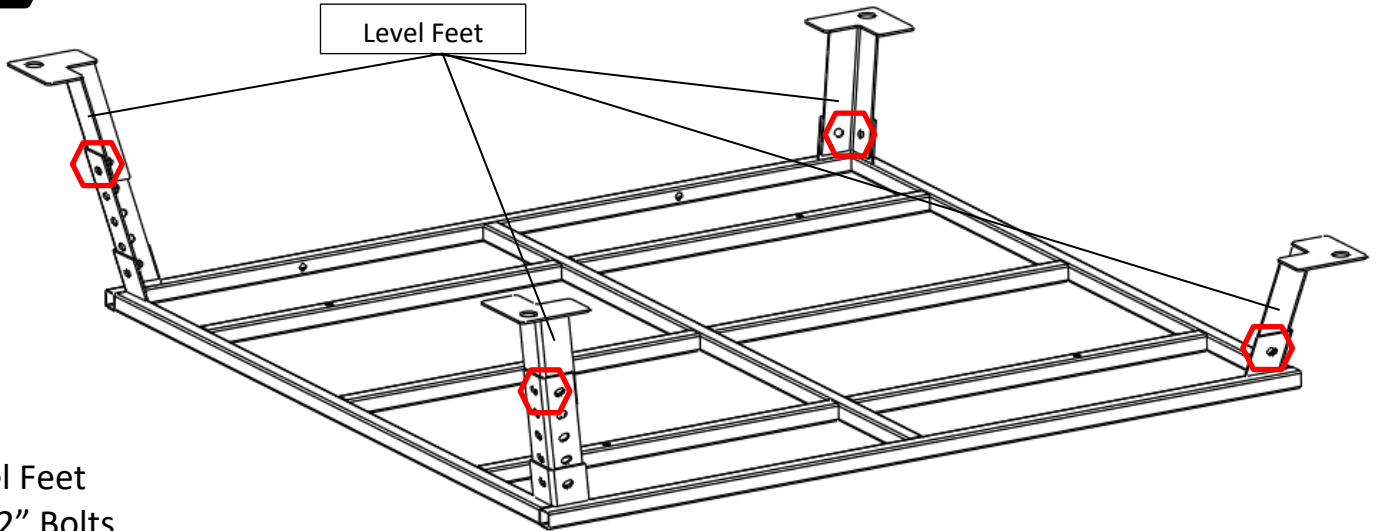
Process:

Attach the level bracket to the platform with the platform upside down.





2



Parts:

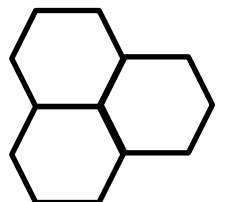
4x Level Feet

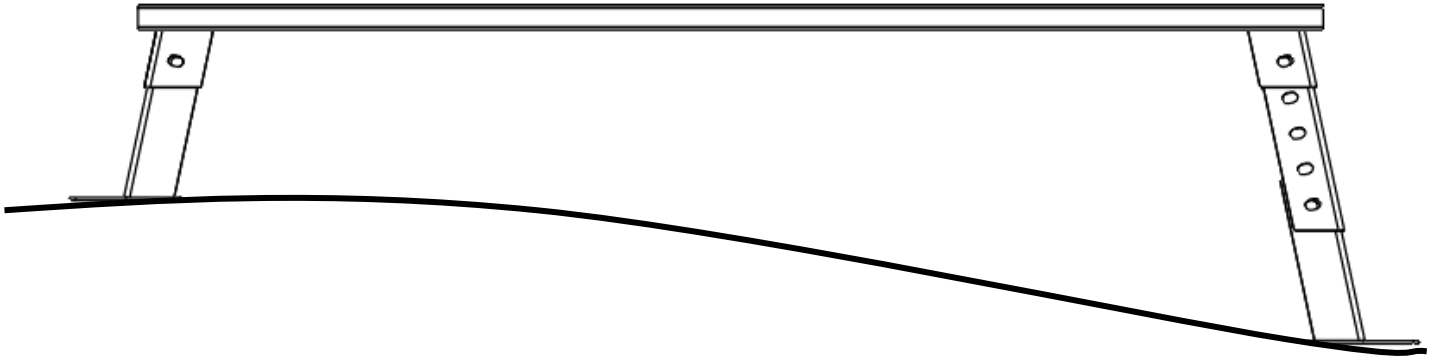
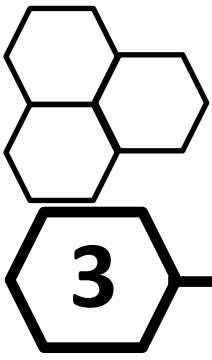
8x 1-1/2" Bolts

8x Flange Nuts

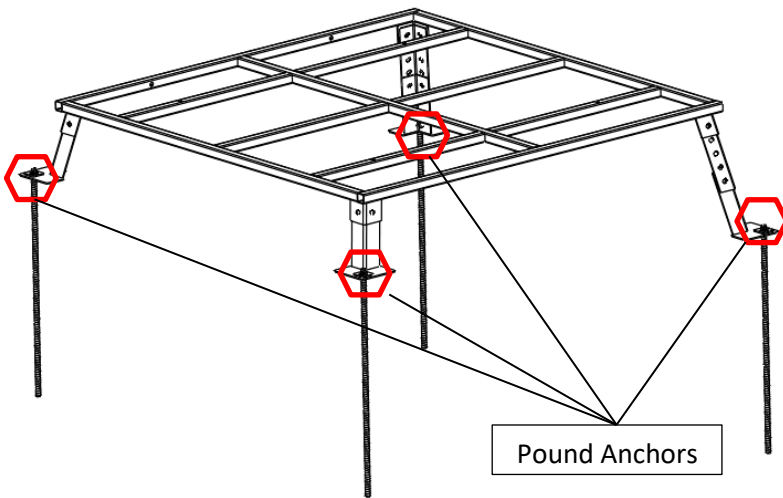
Process:

Attach the feet to the platform and the leveling brackets using the hardware.





Ensure the stand is level on the terrain.



Parts:
4x Pound Anchors

Process:
Pound in the four anchors at the corners of the level feet.



**TIGHTEN ALL HARDWARE ON THE LEVELING KIT
POUND IN ANCHORS MUST BE IN PLACE BEFORE USE**

