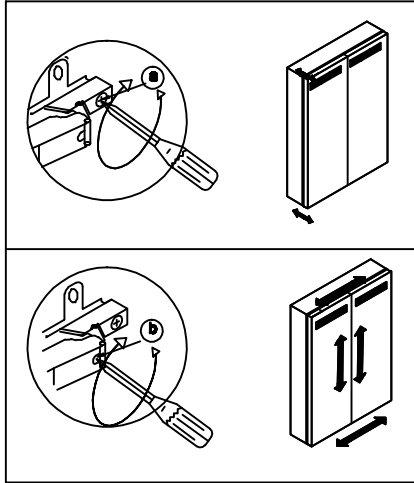
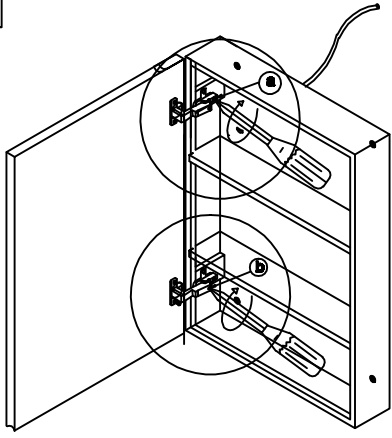


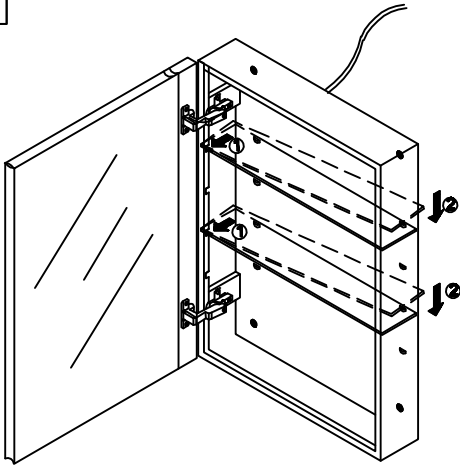
5



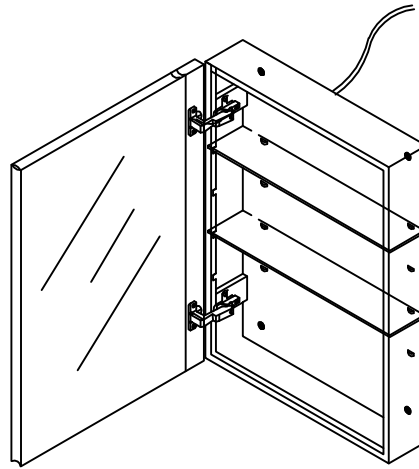
Loosen screw A adjust gap between mirror door+cabinet body until satisfied
Re-tighten screw careful not to overtighten

Loosen screw B adjust alignment of mirror door to the cabinet body until satisfied, Re-tighten screw careful not to overtighten

6

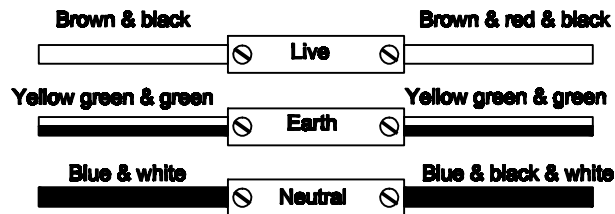


Insert shelves into slots in the cabinet body

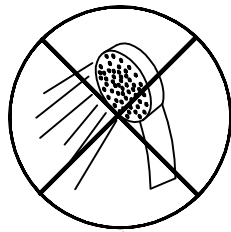
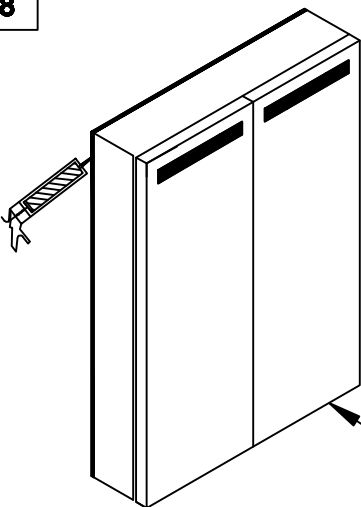


7

Wiring diagram for input



8



24 hour

Sensor Switch

