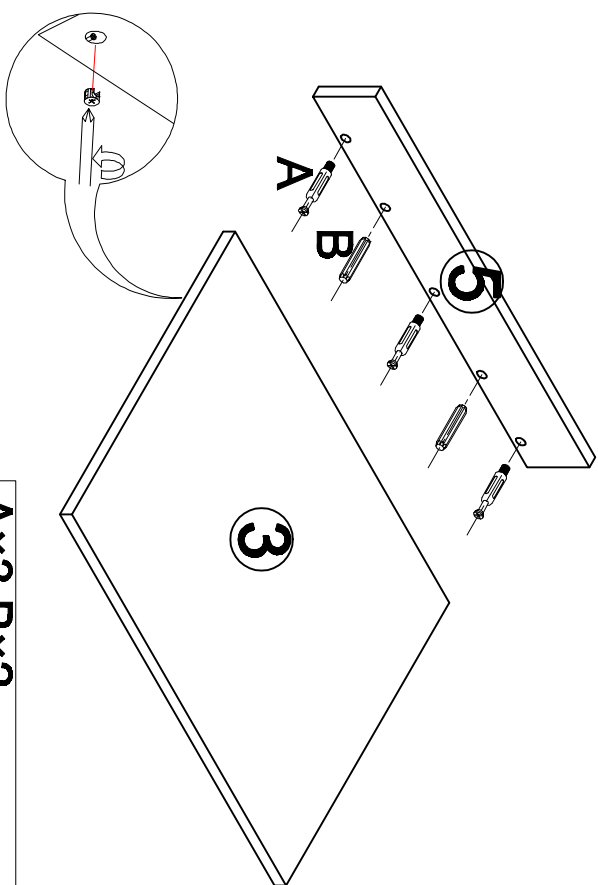
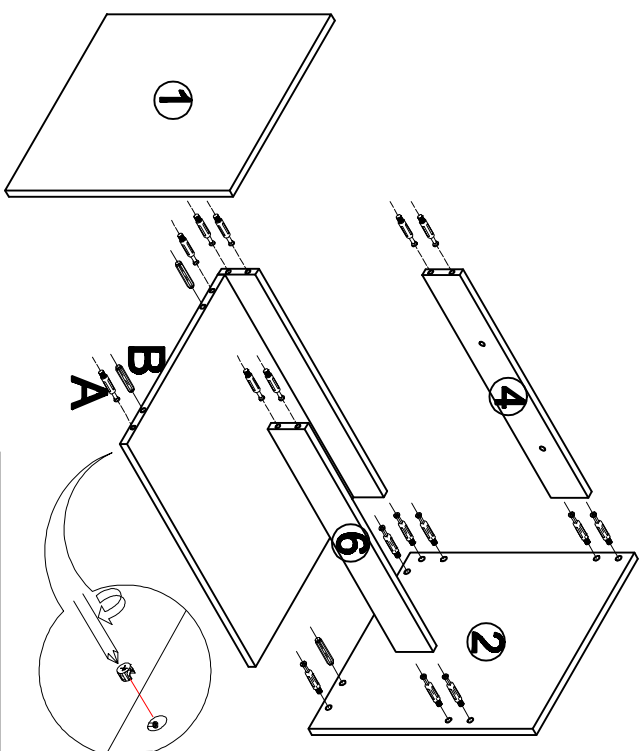


1



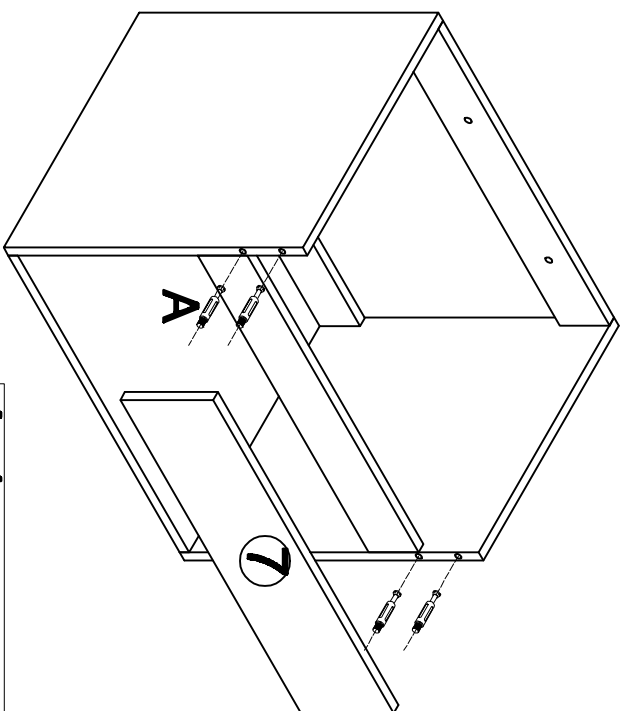
Ax3 Bx2

2



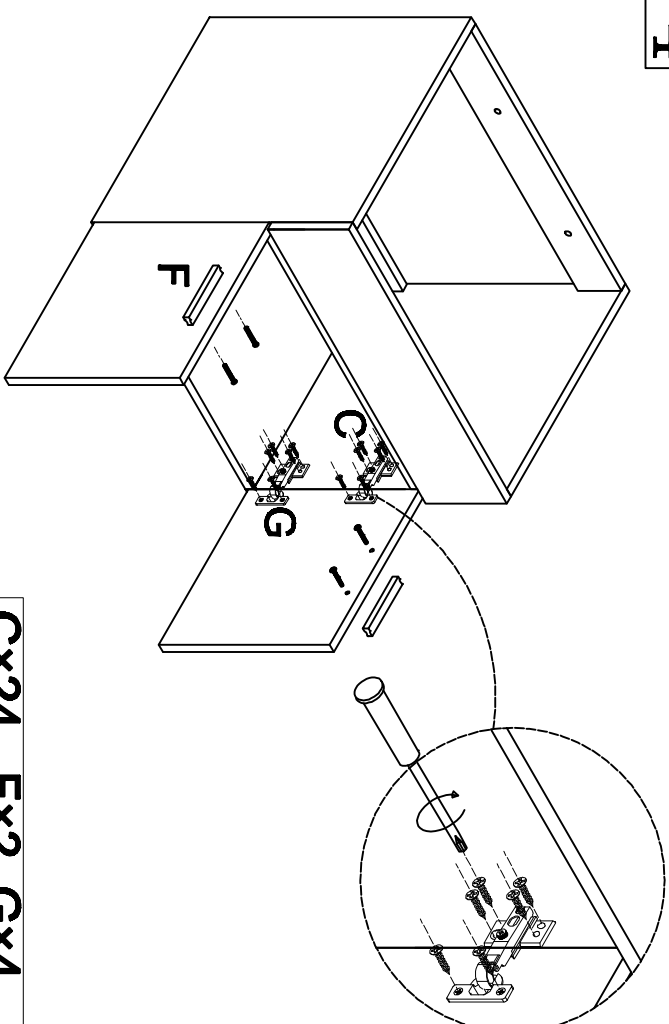
Ax16 Bx4

3



Ax4

4



Cx24 Fx2 Gx4