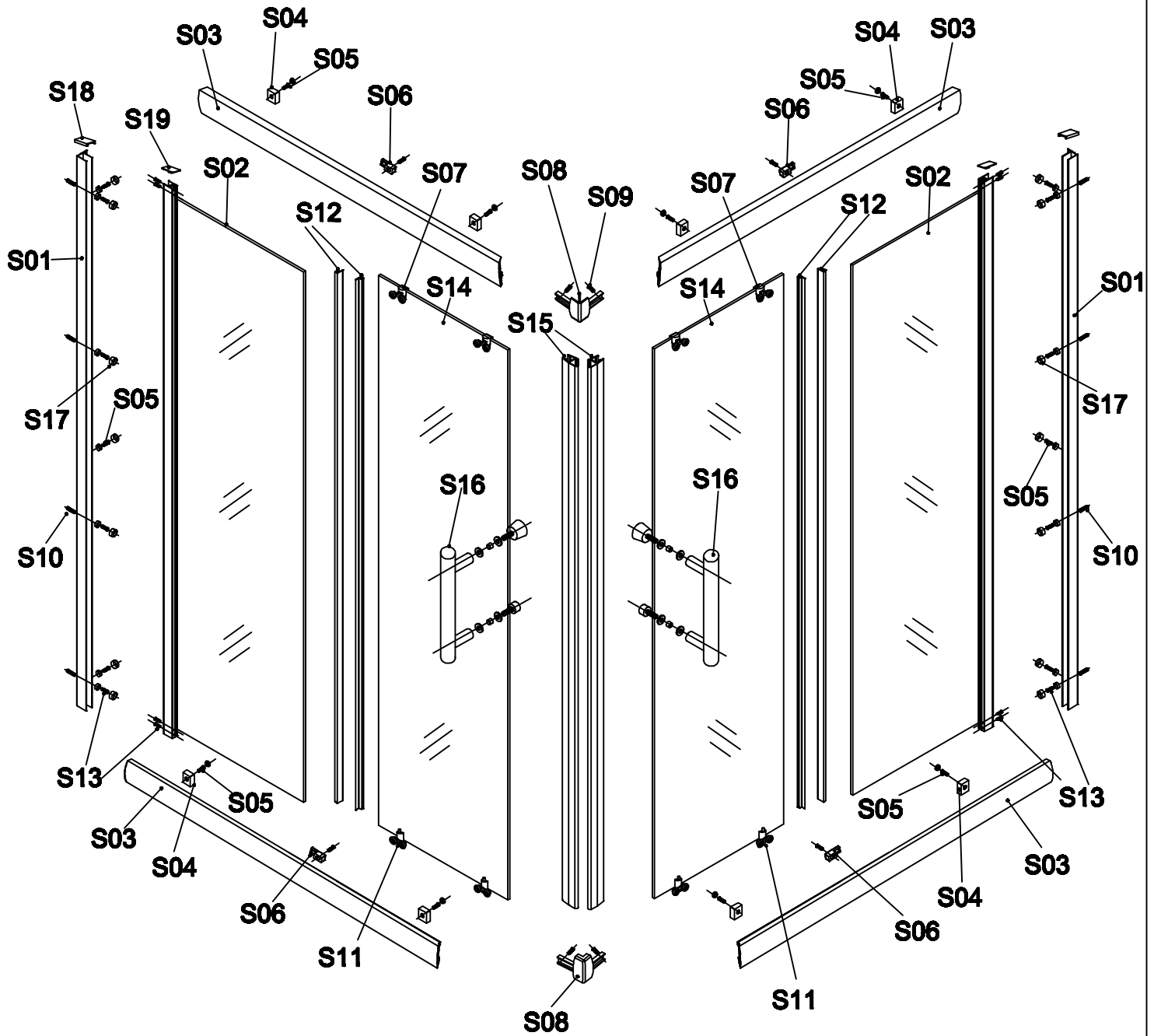
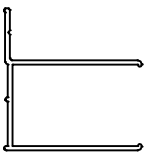

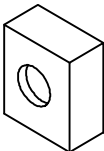
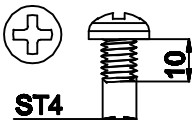
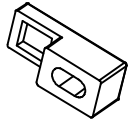
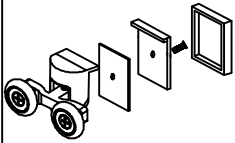
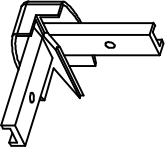
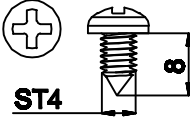
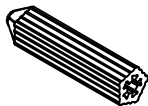
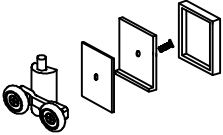

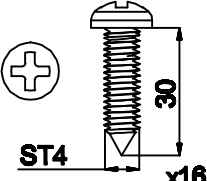
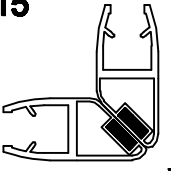
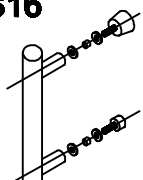

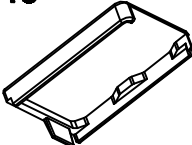
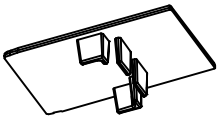
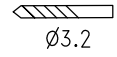
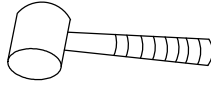
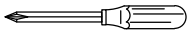
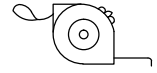
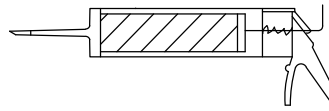
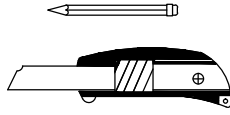
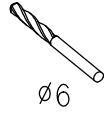
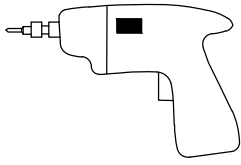


# GCR Series

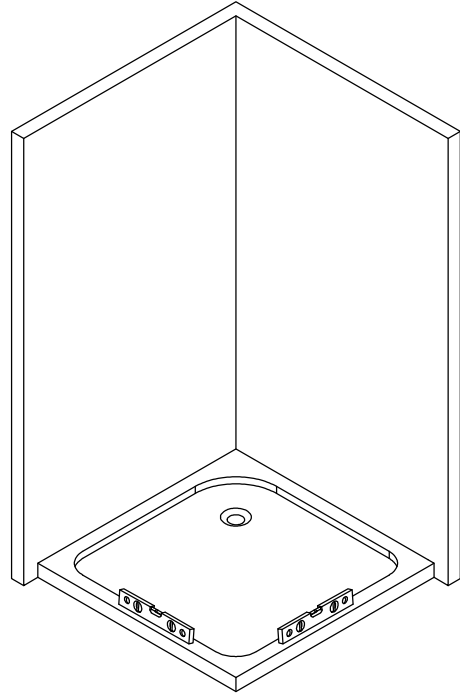
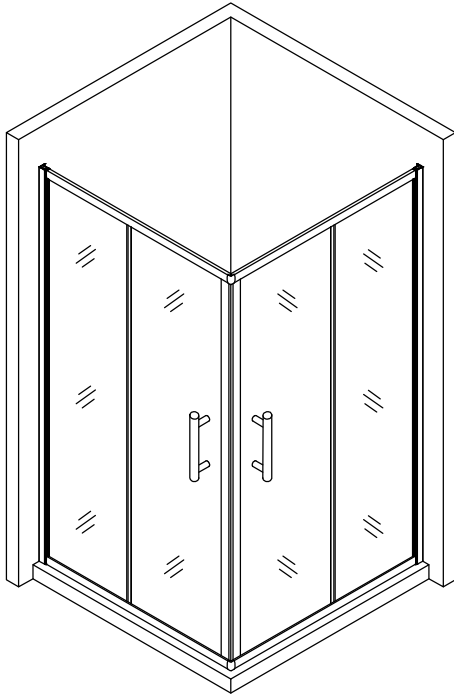
Edit:16.03



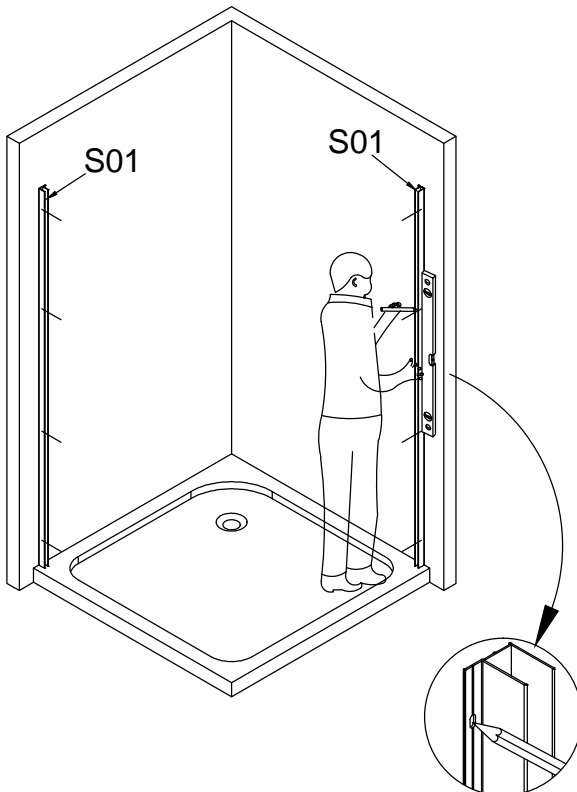
<b>S01</b>  x2	<b>S03</b>  x4	<b>S04</b>  x8	<b>S05</b>  ST4 10 x18	<b>S06</b>  x4	<b>S07</b>  x4
<b>S08</b>  x2	<b>S09</b>  ST4 8 x4	<b>S10</b>  x8	<b>S11</b>  x4	<b>S12</b>  x4	<b>S13</b>  ST4 30 x16
<b>S15</b>  x2	<b>S16</b>  x2	<b>S17</b>  x14	<b>S18</b>  x2	<b>S19</b>  x2	



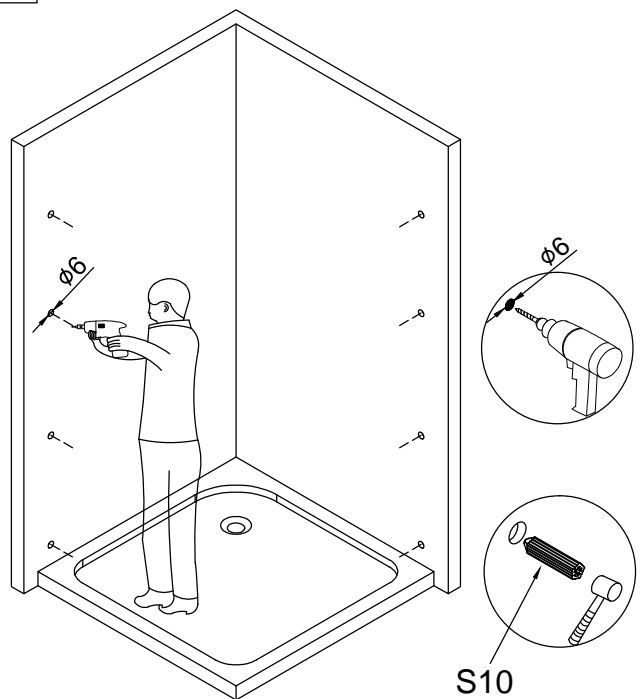
1



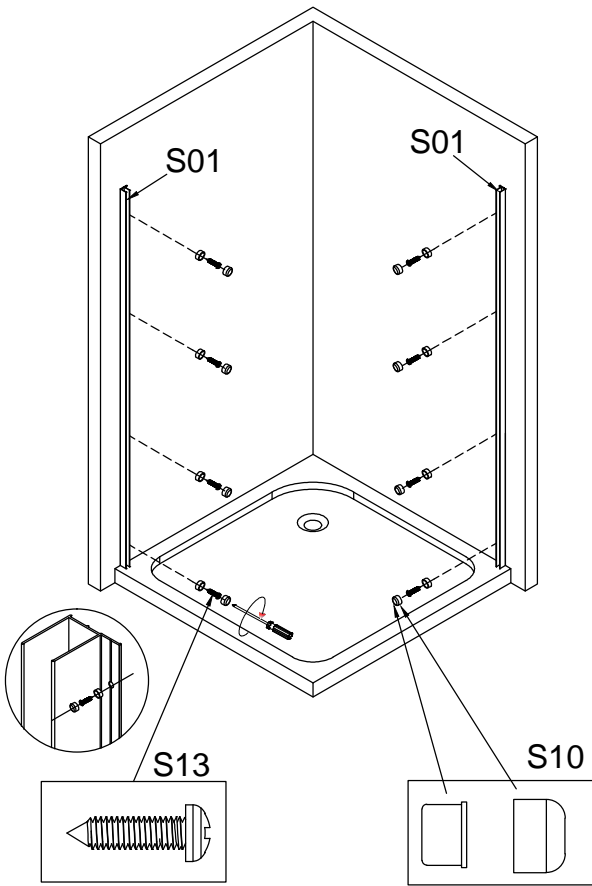
2



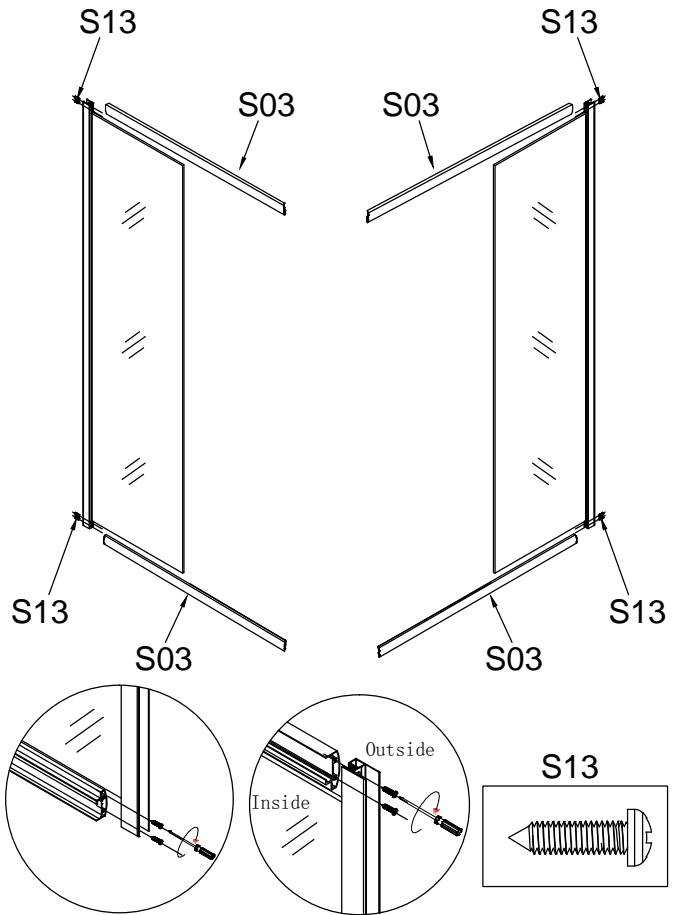
3



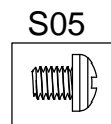
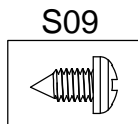
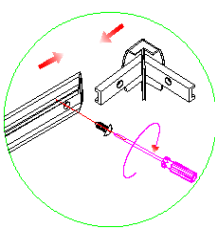
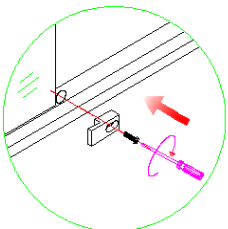
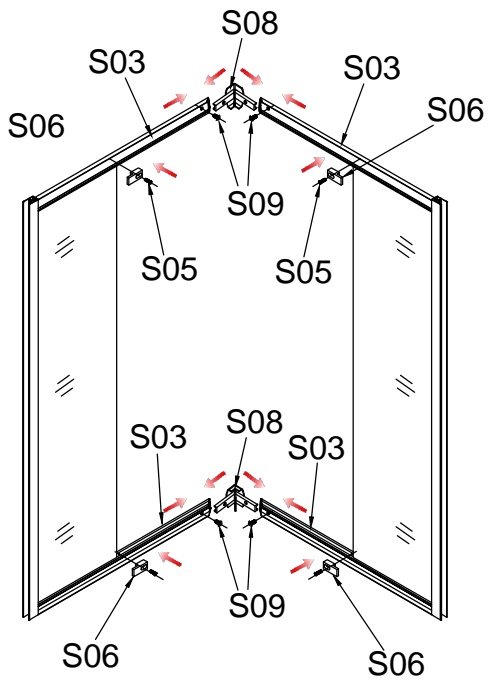
4



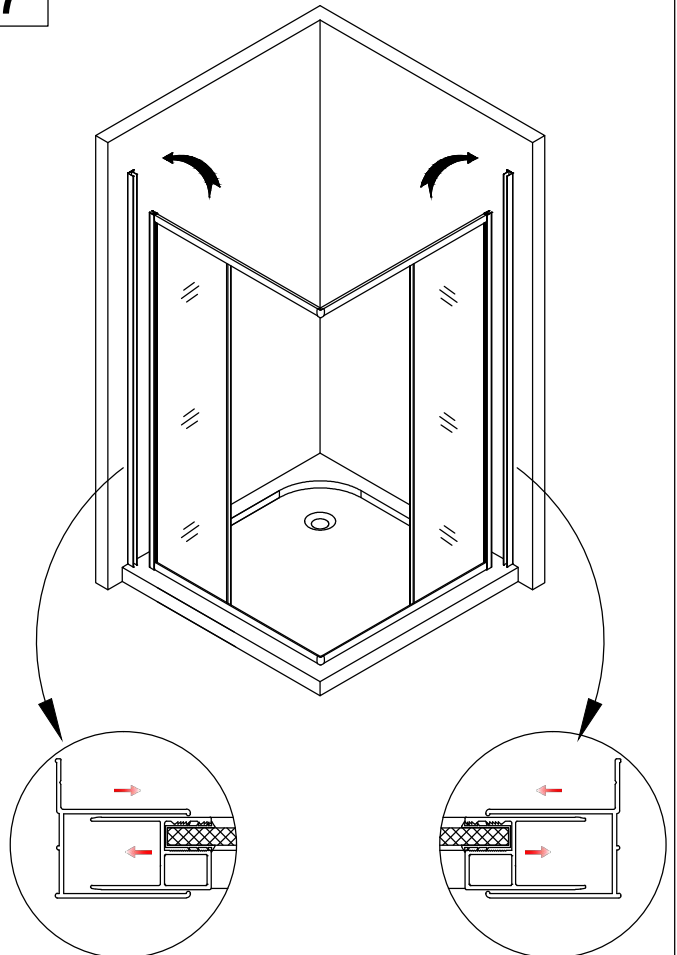
5



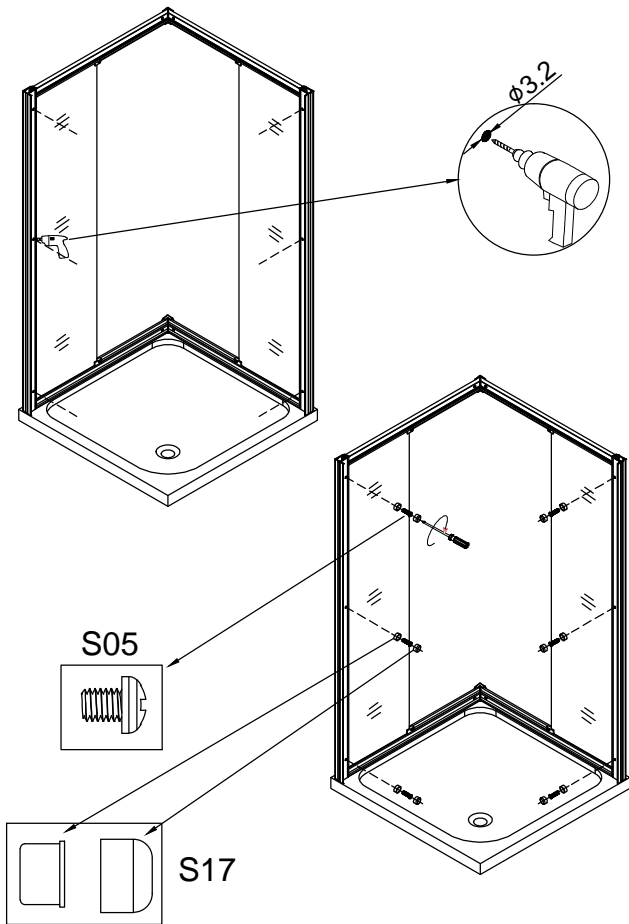
6



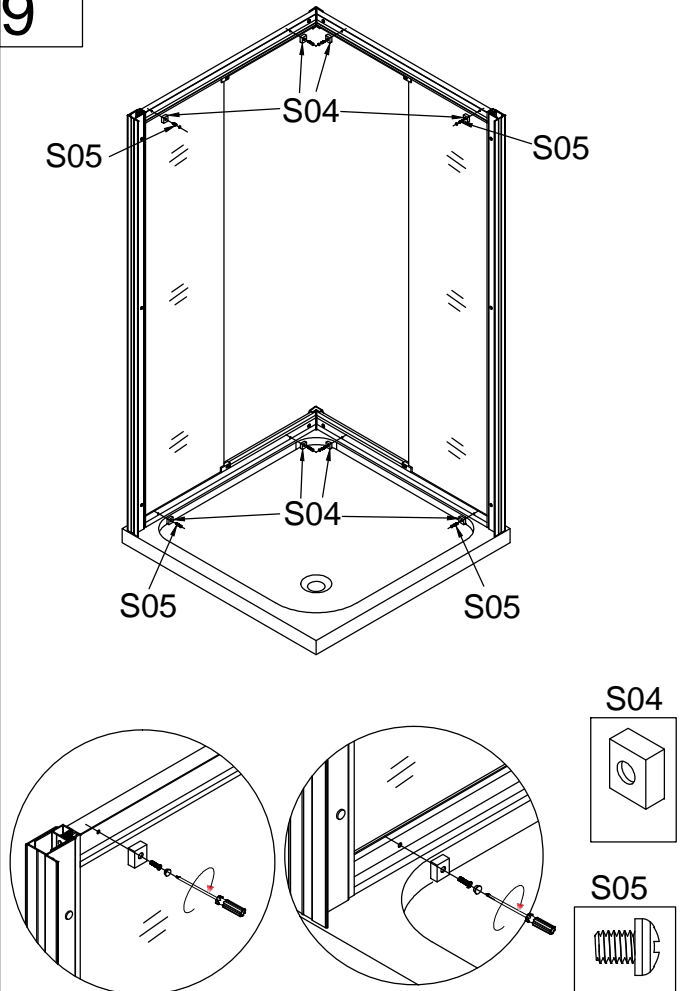
7



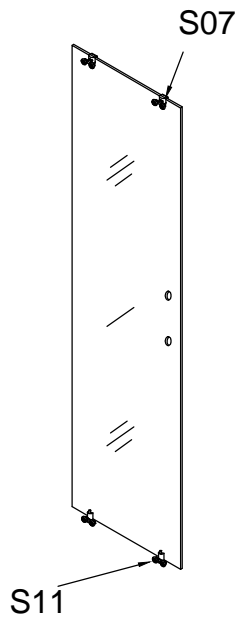
8



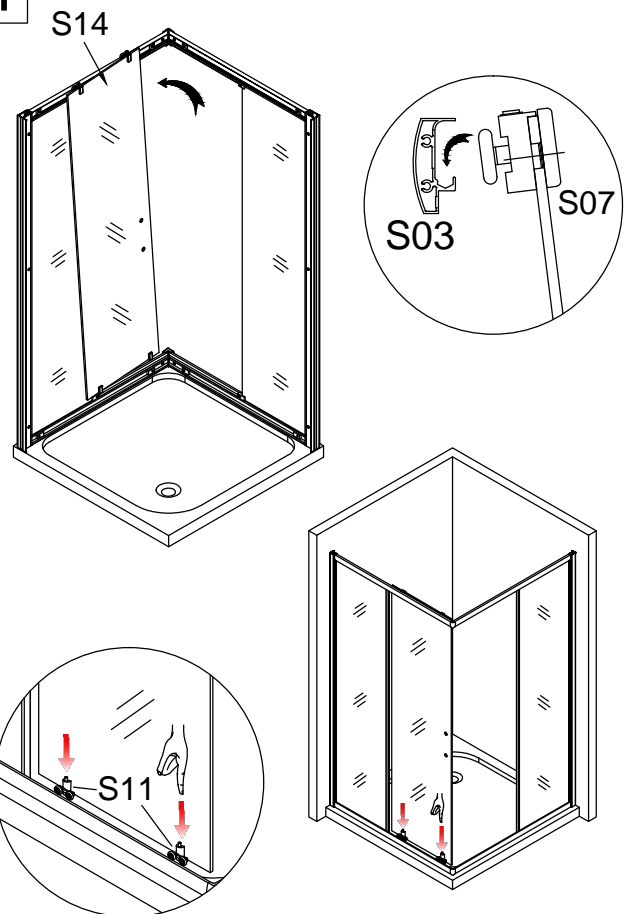
9



10

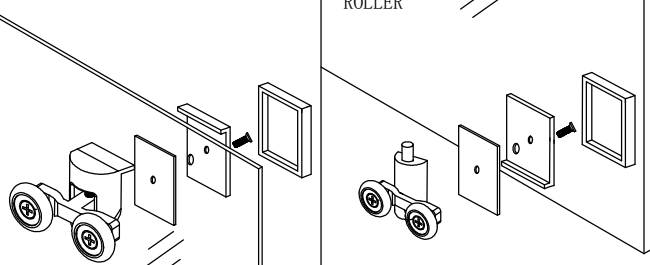


11

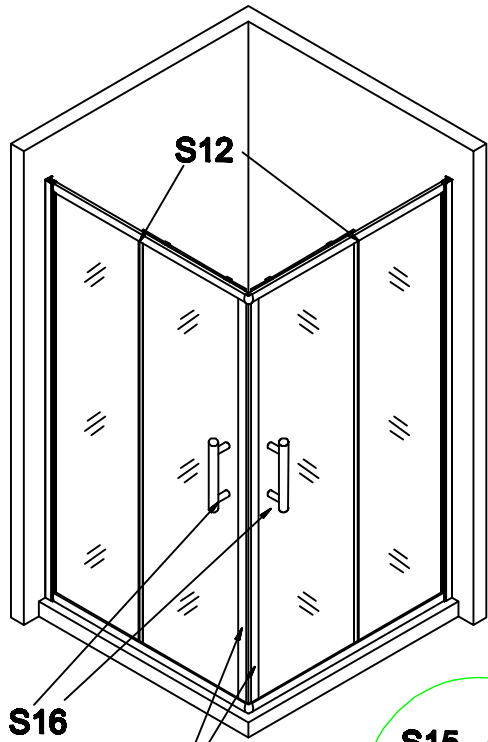


TOP ROLLER

BOTTOM ROLLER



12

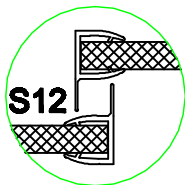
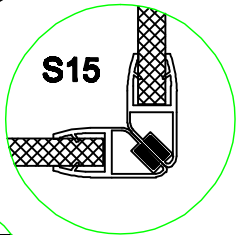
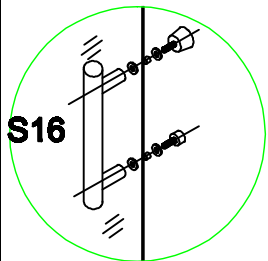


S16

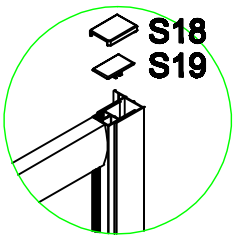
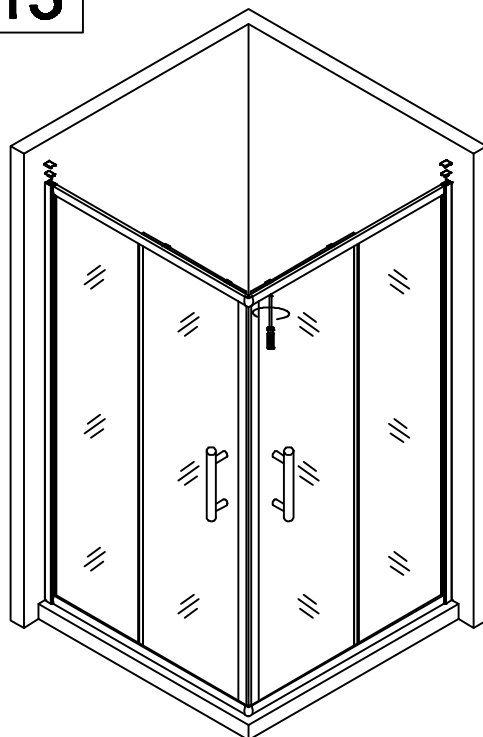
S15

S15

S12

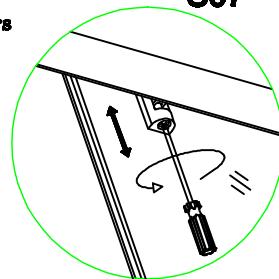


13



Adjust the top rollers in the event of glass door is not leveled

S07



14

