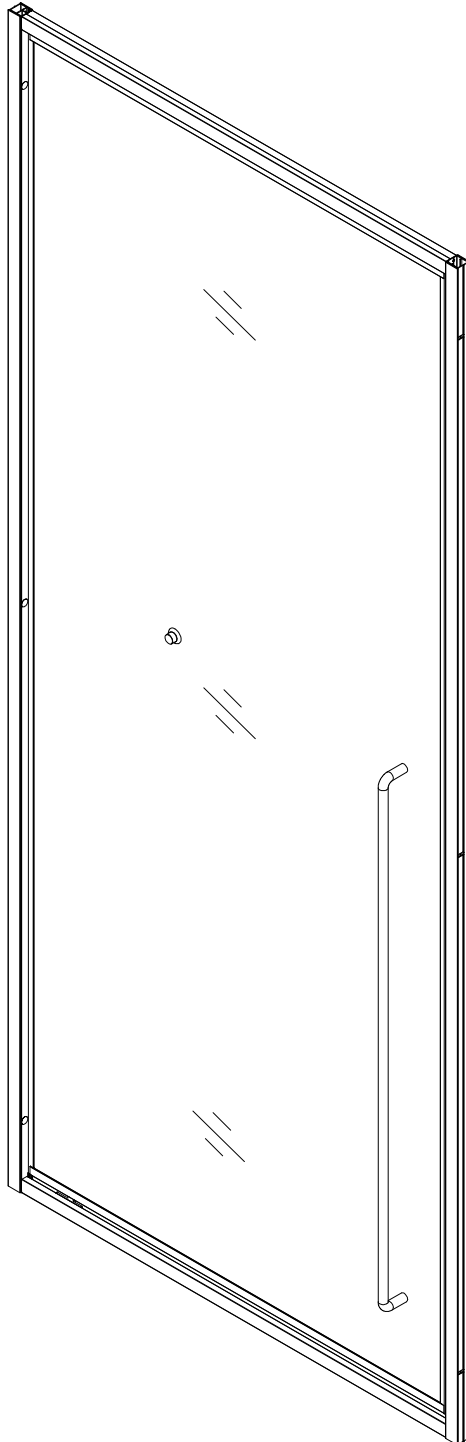
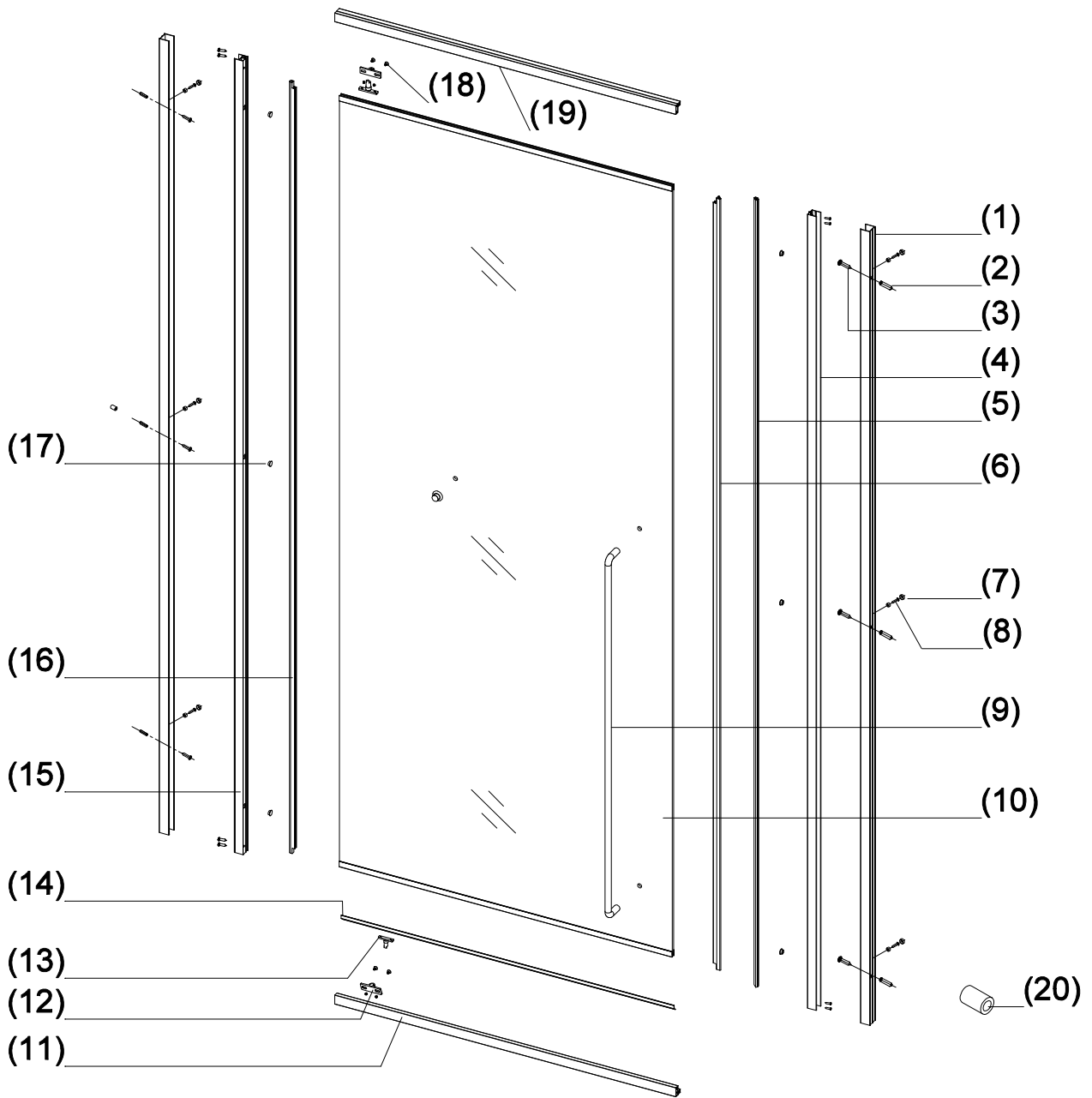
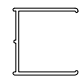


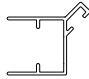

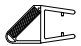


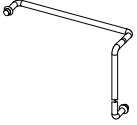
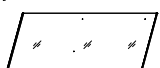

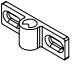
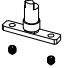
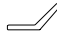
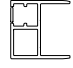





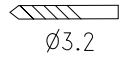
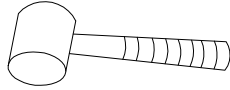
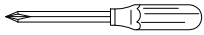
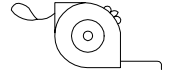
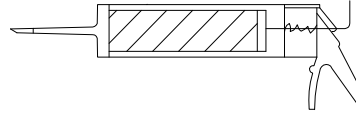
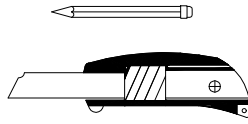
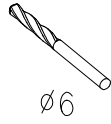
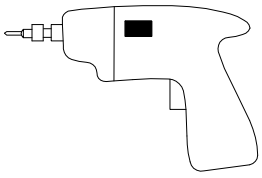


# GIPD

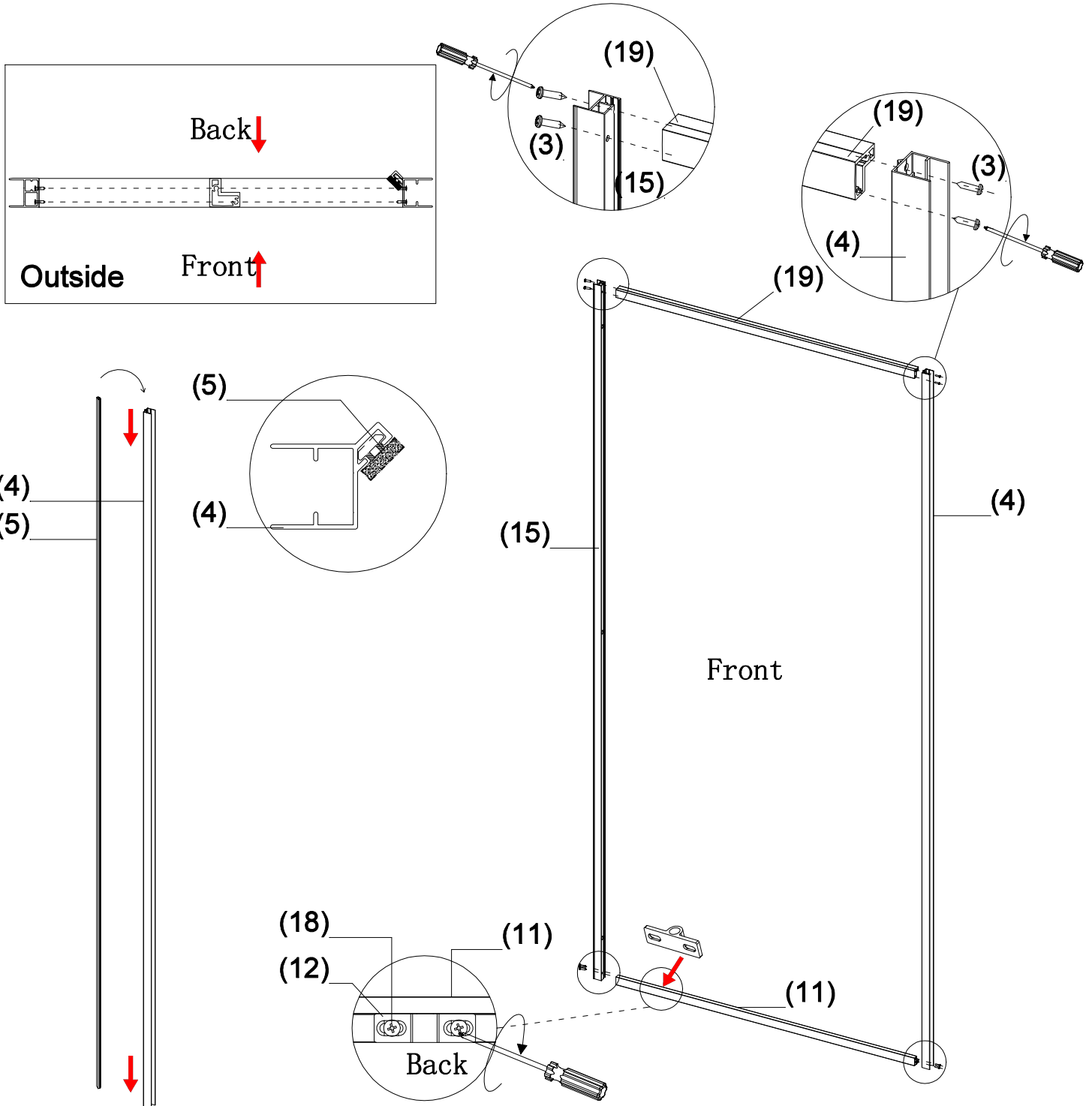




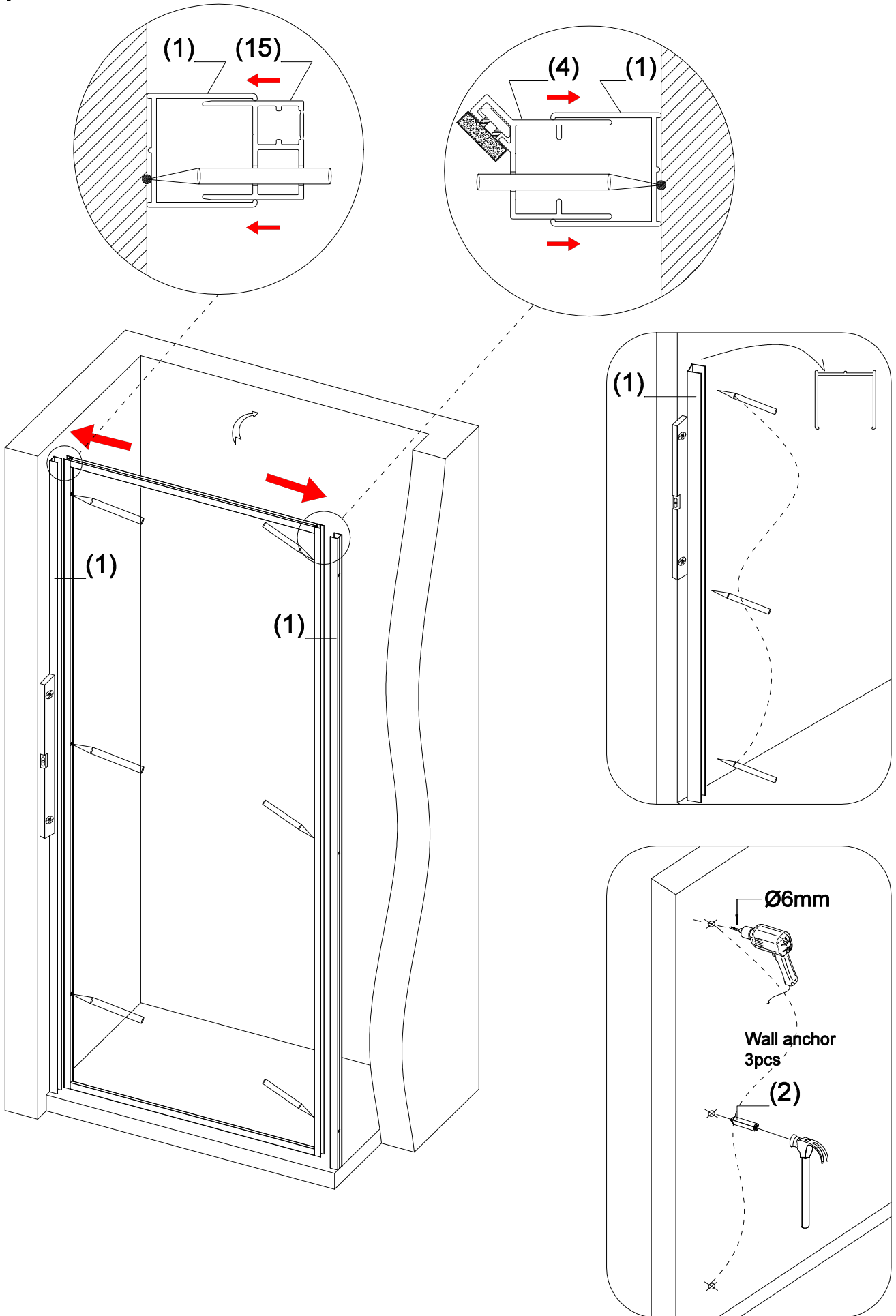
(1)  2X	(2)  6X	(3)  (ST3.9x30) 14X	(4)  1X	(5)  1X	(6)  1X
(7)  6X	(8)  (ST3.9*12) 6X	(9)  1X	(10)  1X	(11)  1X	(12)  2X
(13)  2X	(14)  1X	(15)  1X	(16)  1X	(17)  6X	(18)  (ST3.9*10) 4X
(19)  1X	(20)  1X				



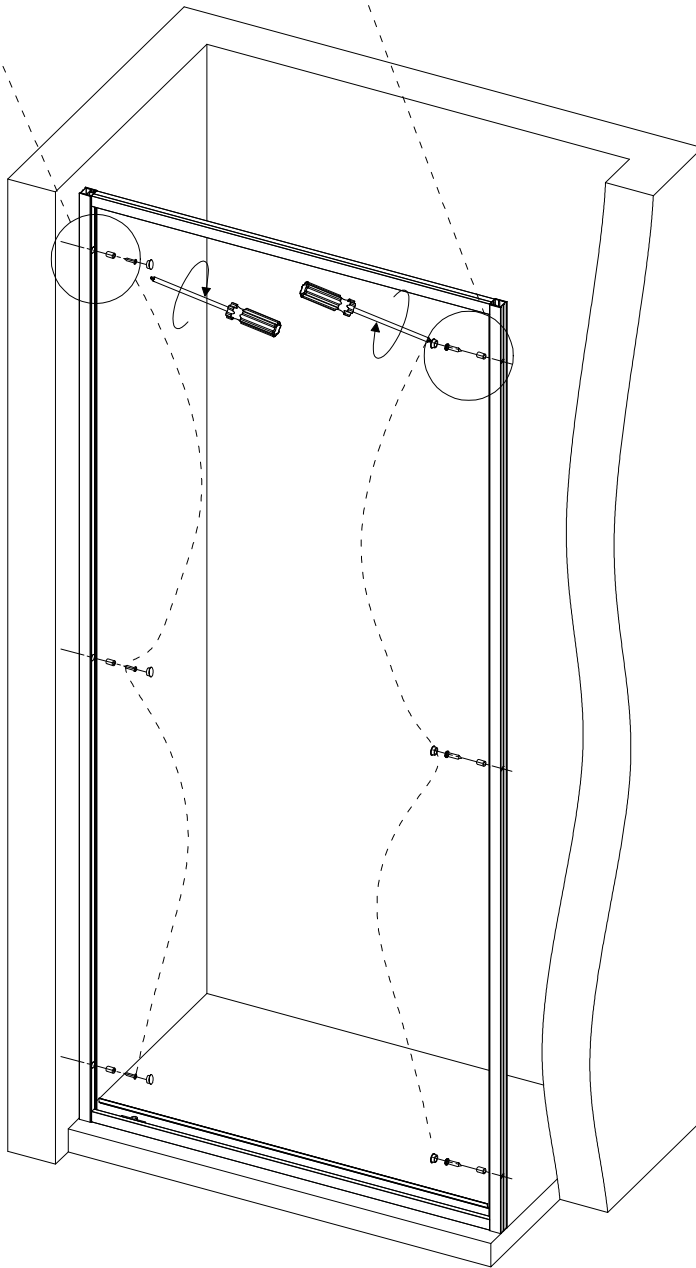
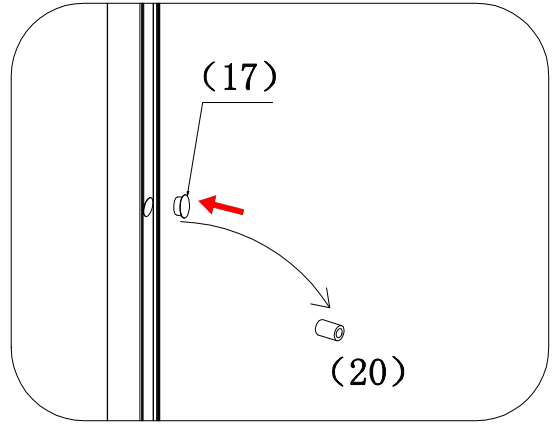
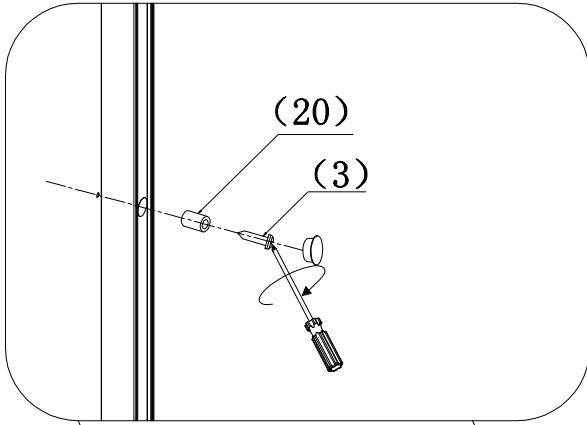
# Step 1



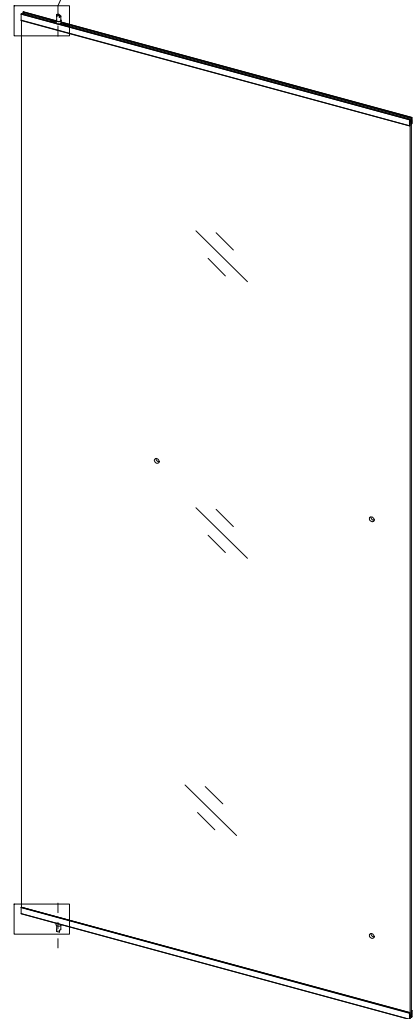
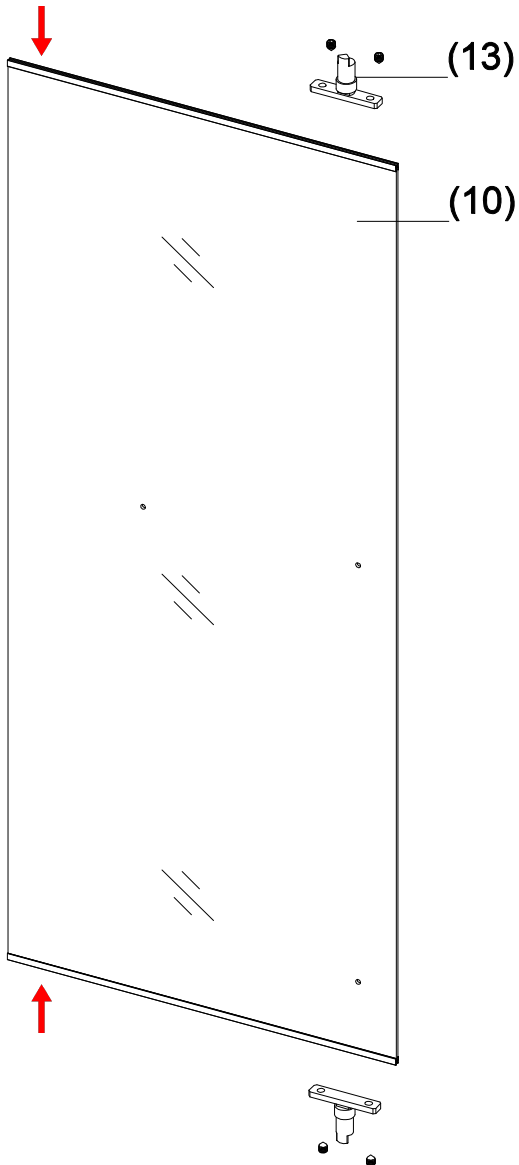
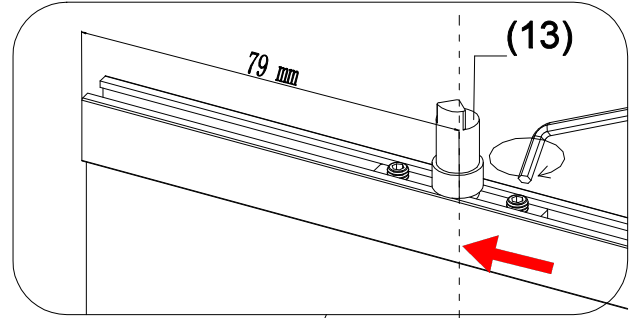
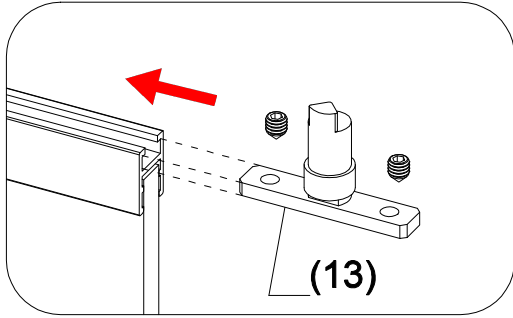
# Step 2



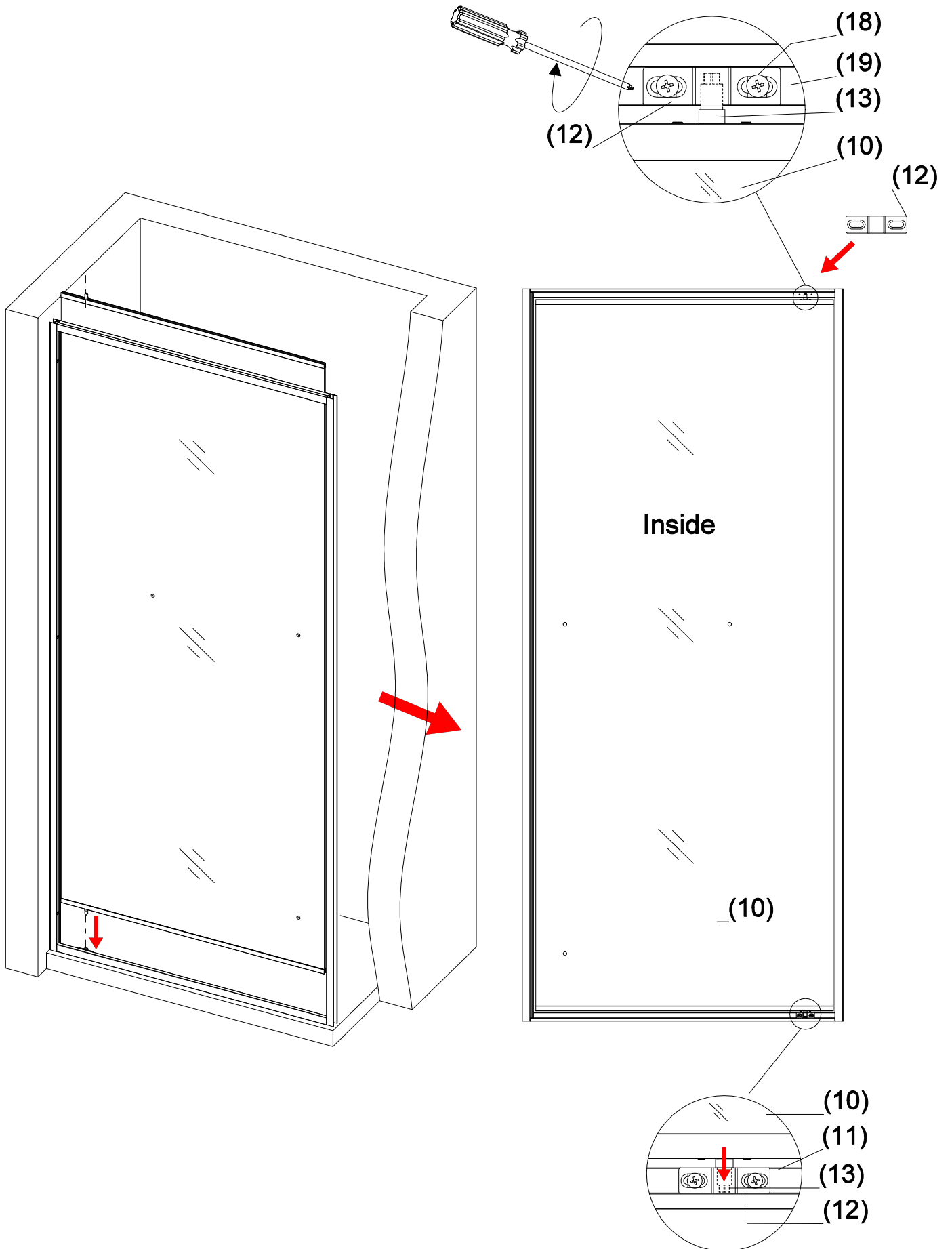
# Step 3



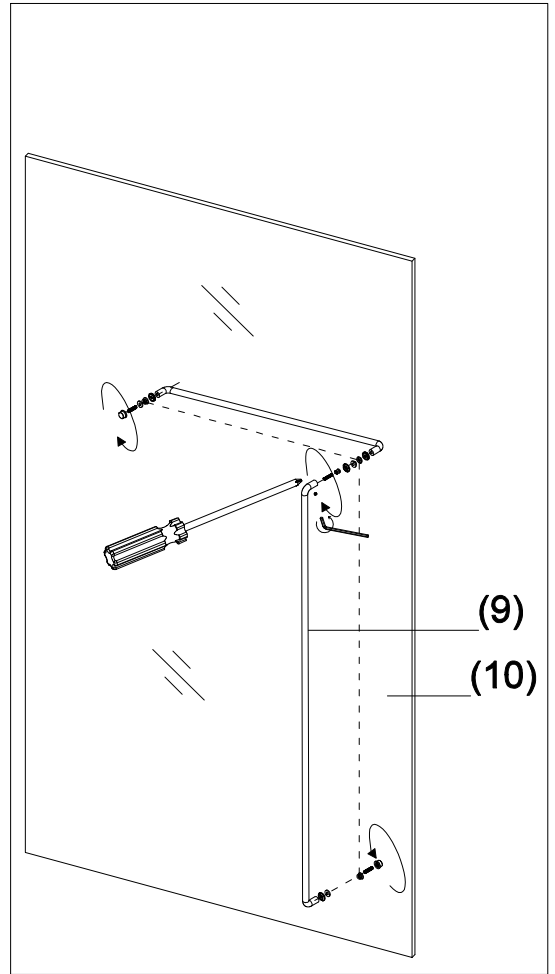
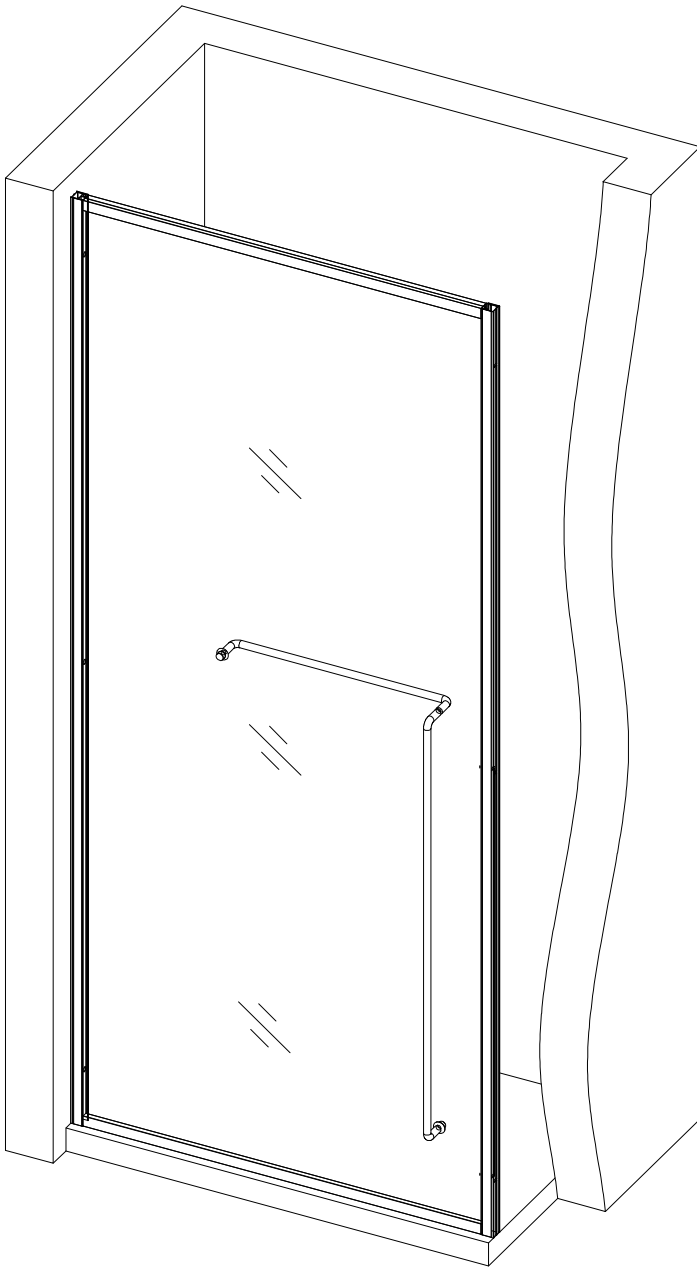
# Step 4



# Step 5

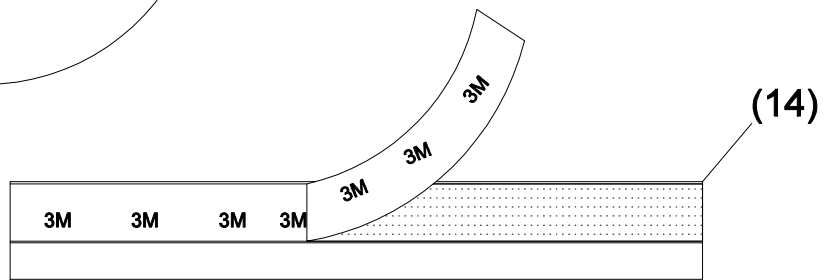
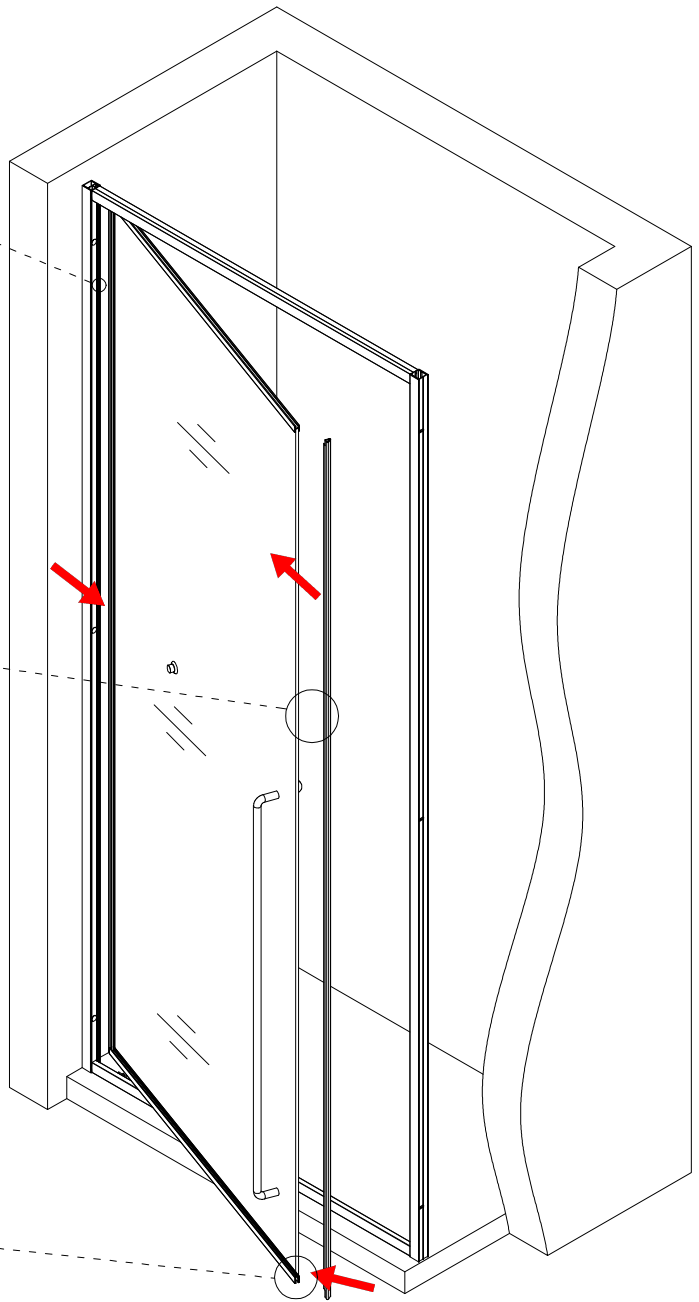
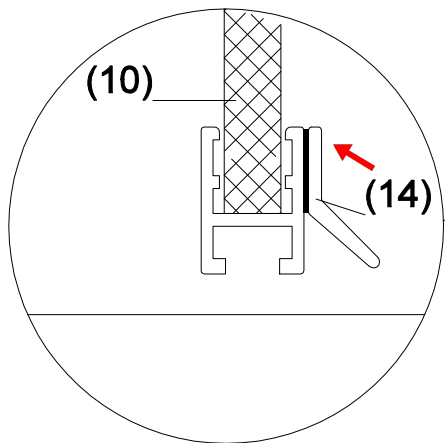
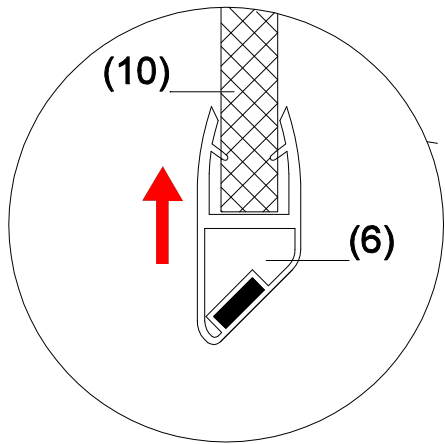
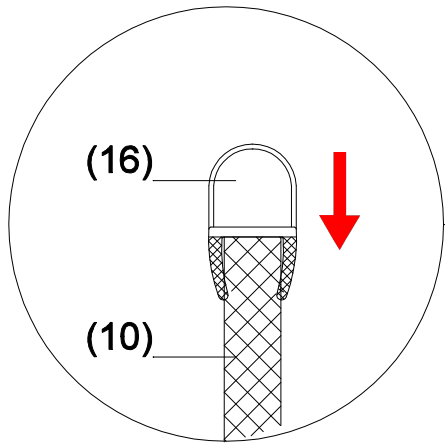


# Step 6

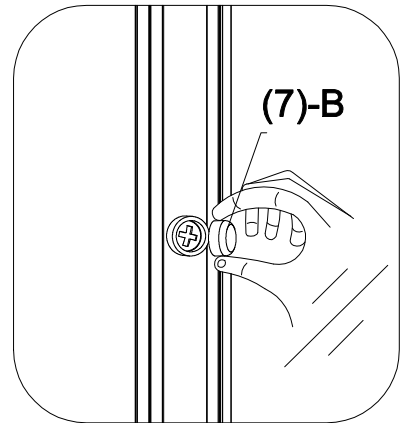
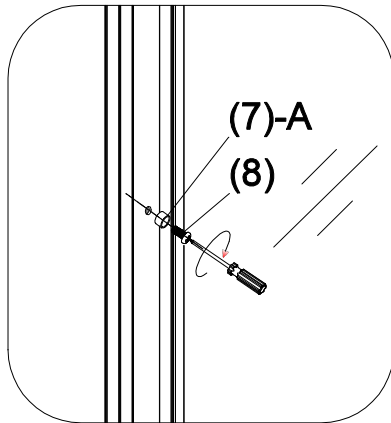
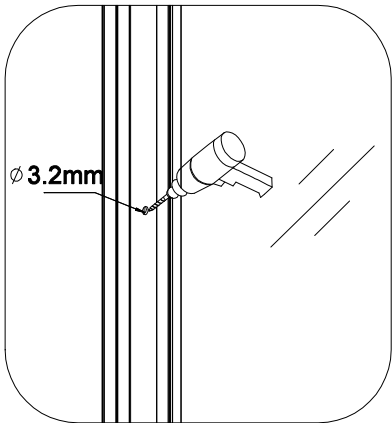
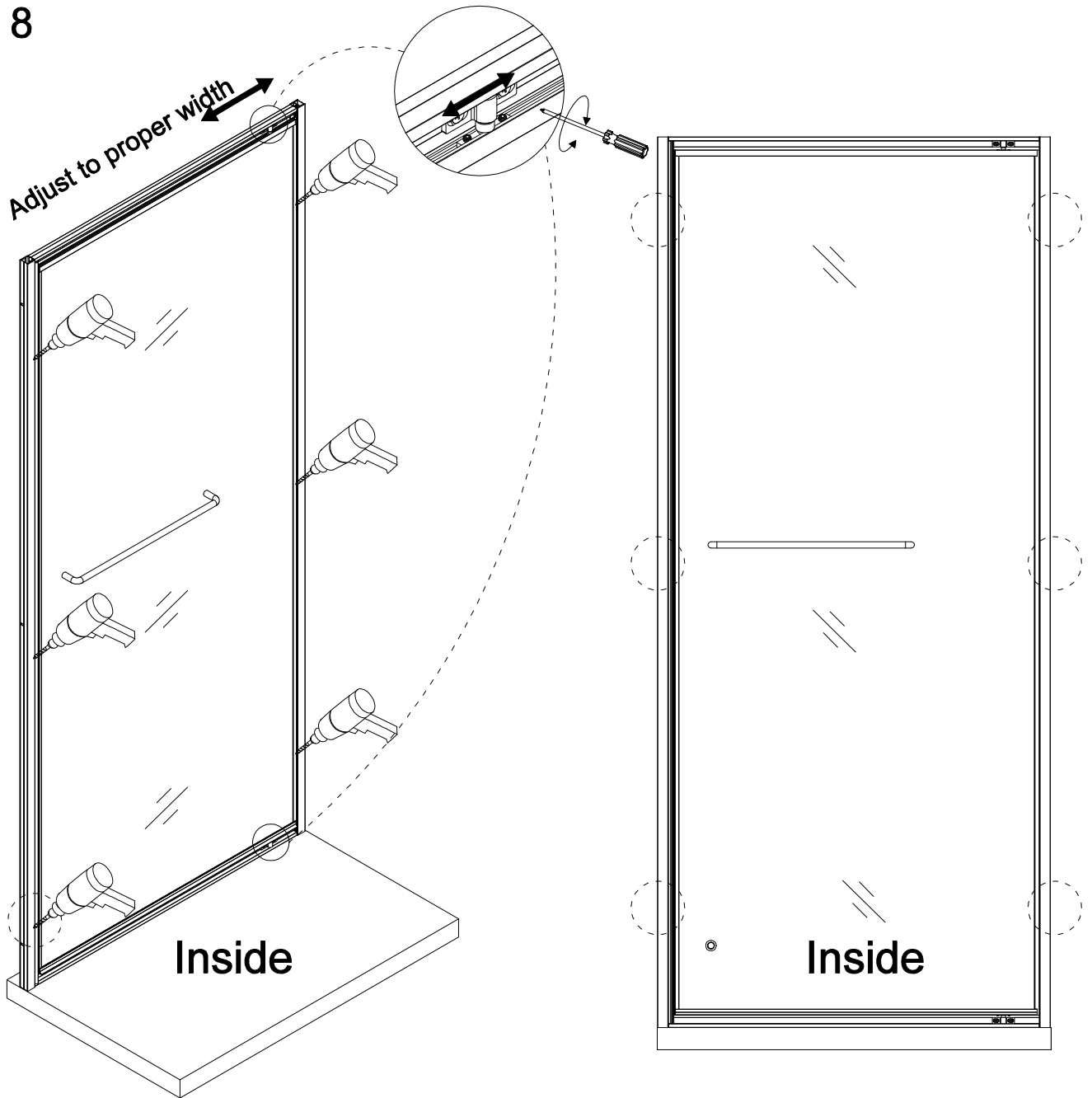




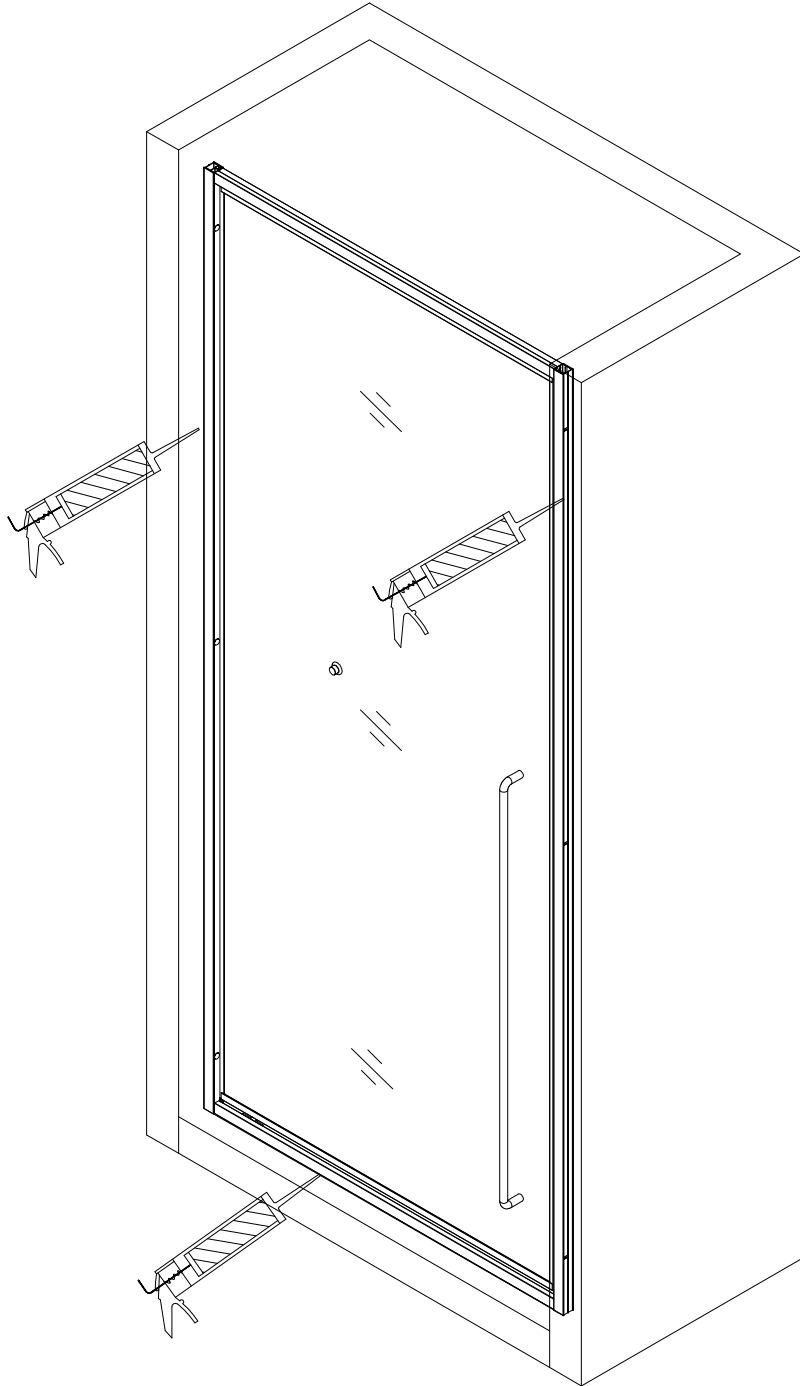
# Step 7



# Step 8



## Step 9



**Allow 24 hours for silicone to dry before use.  
Silicone on the outside edge only**