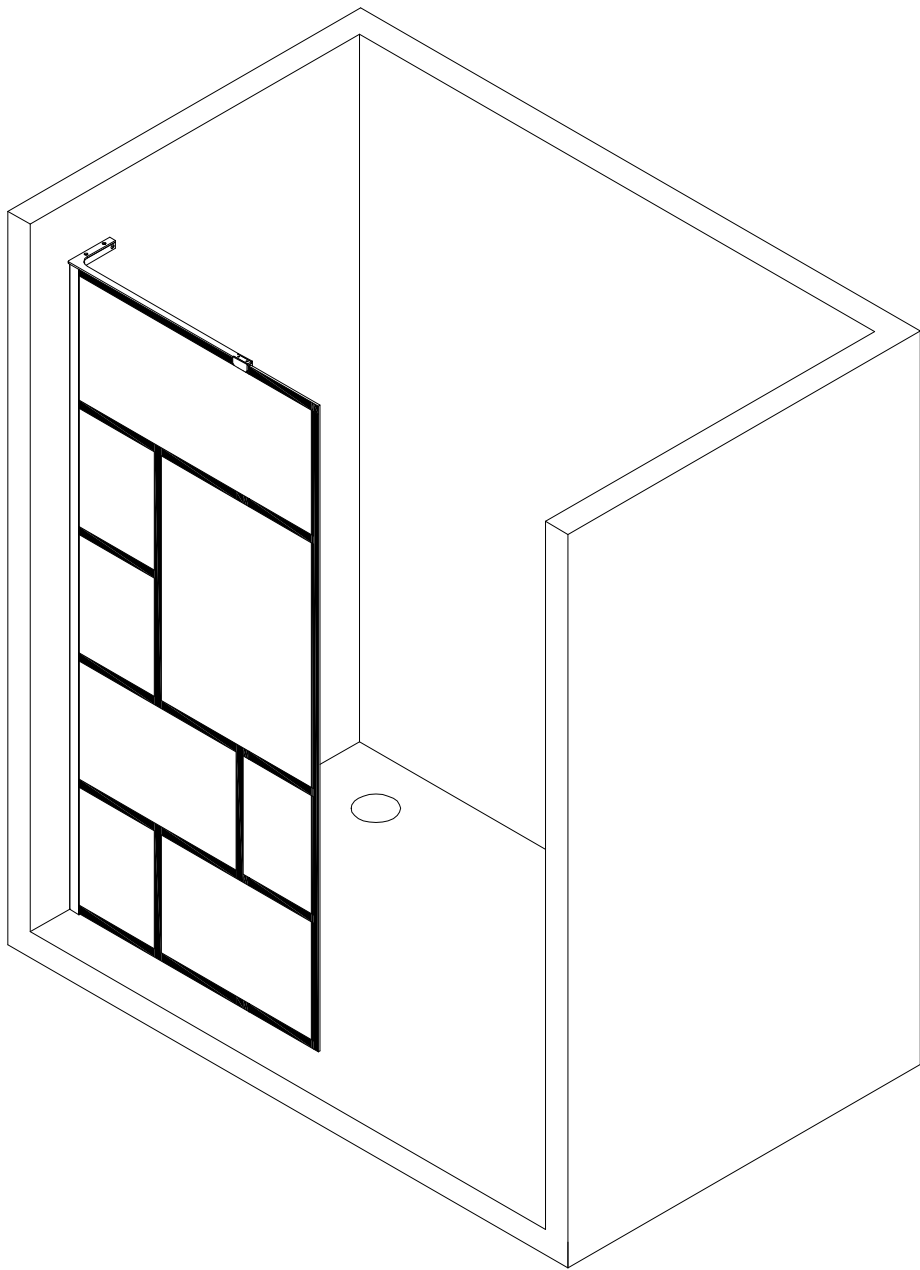
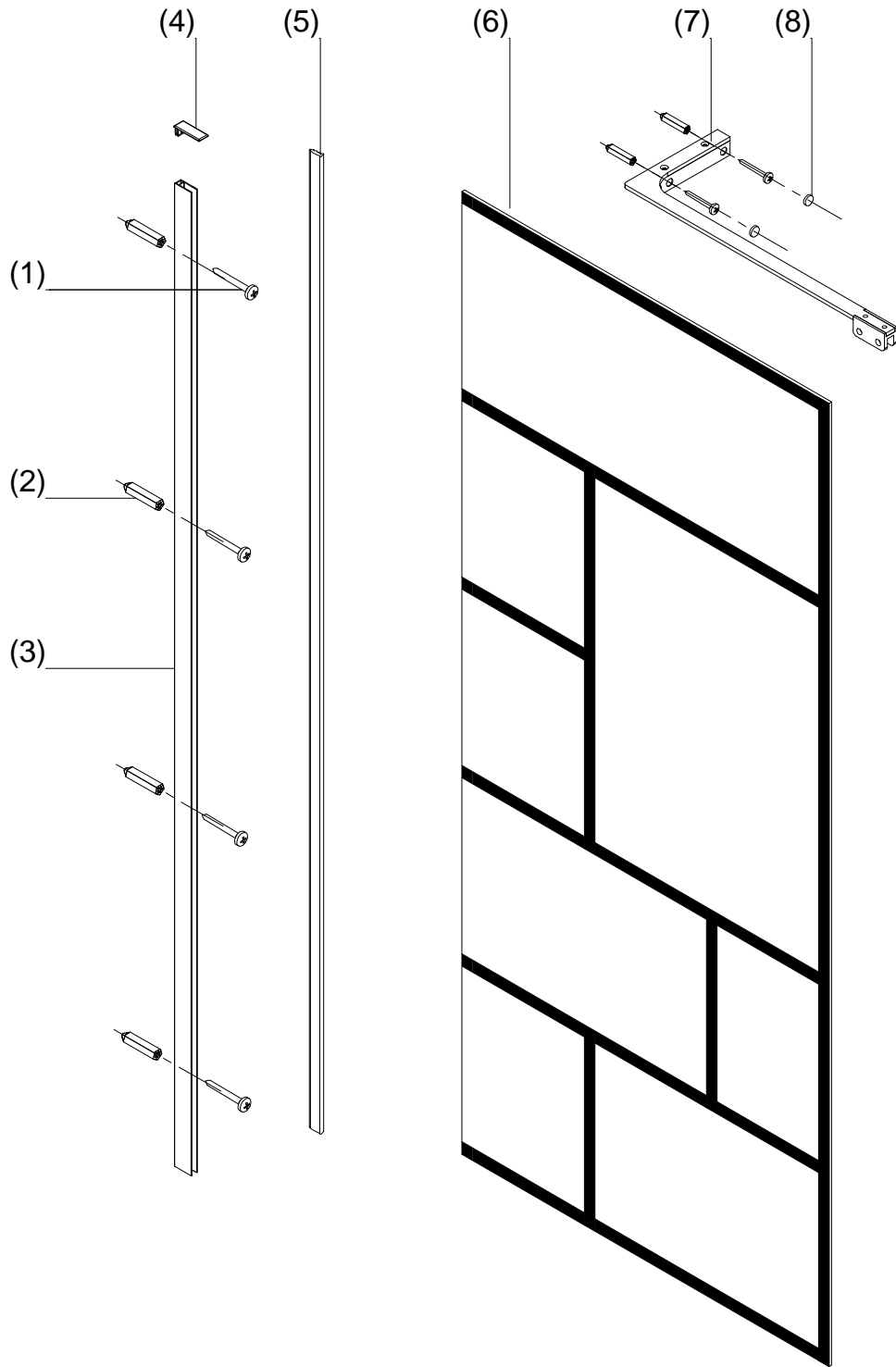


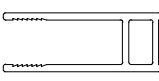
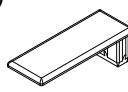

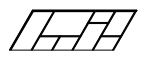
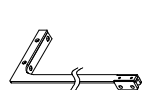

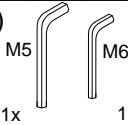

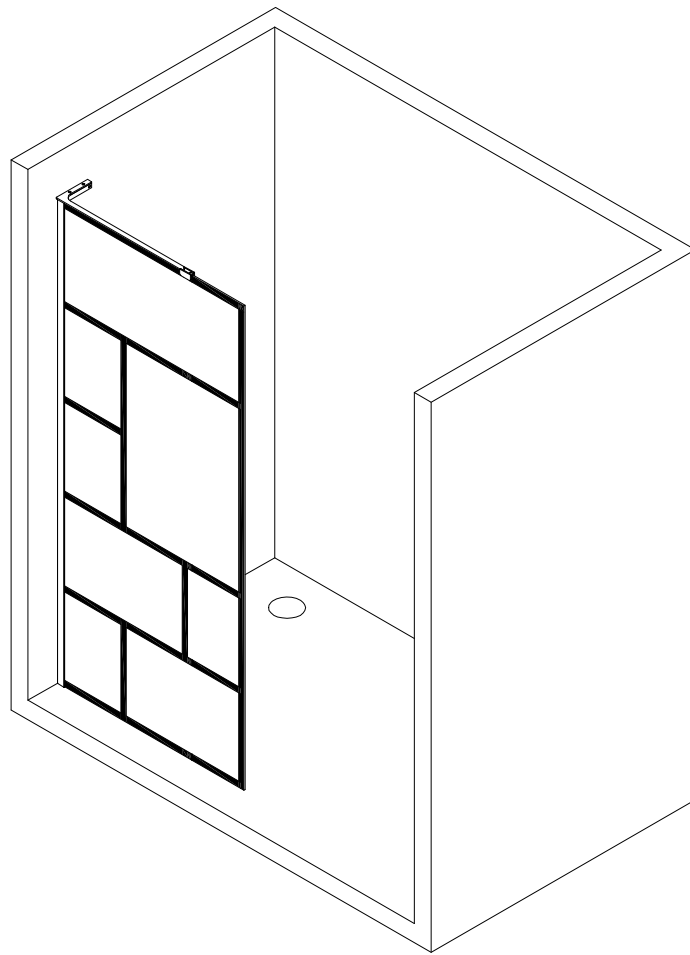


GWRG

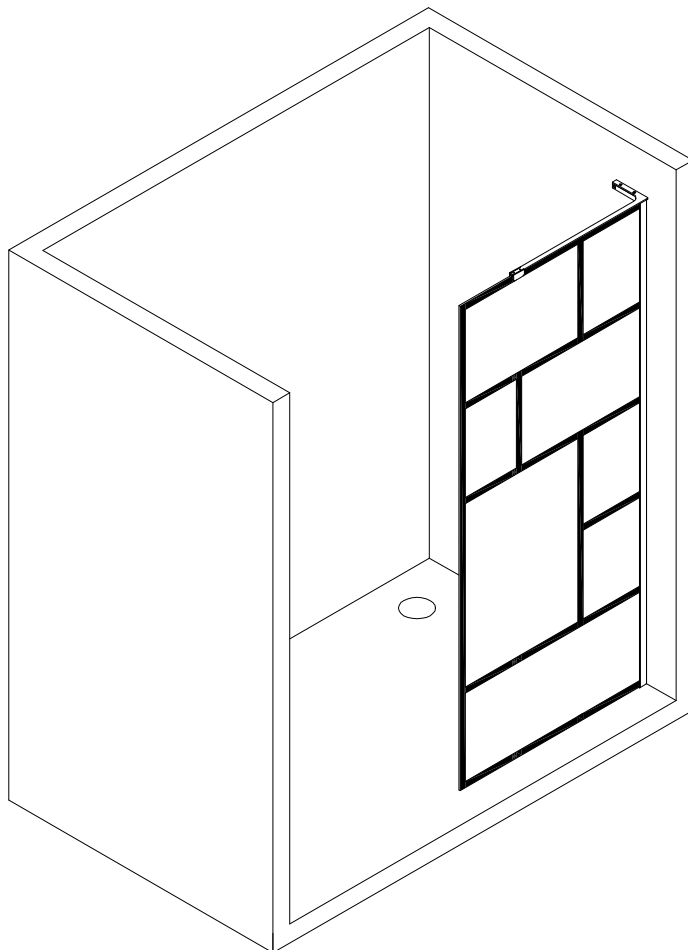




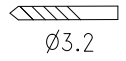
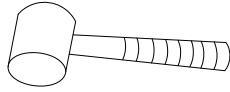
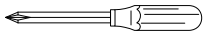
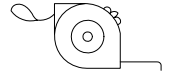
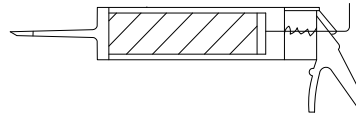
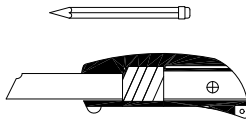
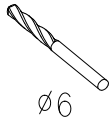
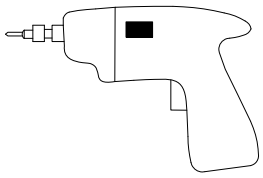
<p>(1)</p>  <p>(ST3.9x30)</p> <p>6X</p>	<p>(2)</p>  <p>6X</p>	<p>(3)</p>  <p>1X</p>	<p>(4)</p>  <p>1X</p>	<p>(5)</p>  <p>1X</p>
<p>(6)</p>  <p>1X</p>	<p>(7)</p>  <p>1X</p>	<p>(8)</p>  <p>2X</p>	<p>(9)</p>  <p>M5 1x M6 1x</p>	<p>(10)</p>  <p>1X</p>



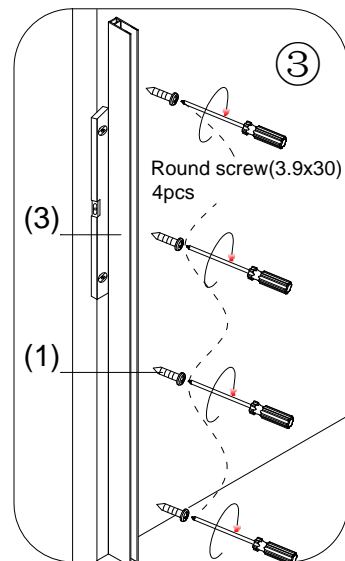
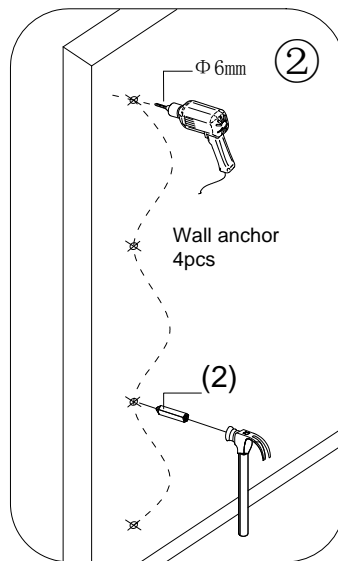
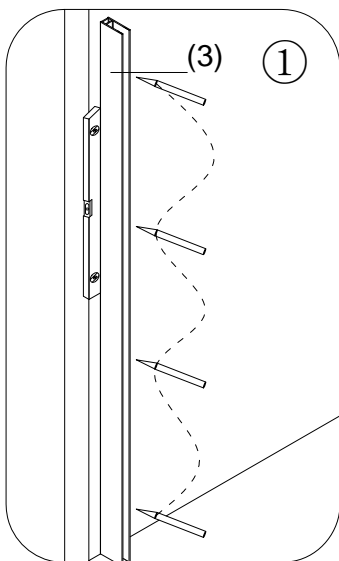
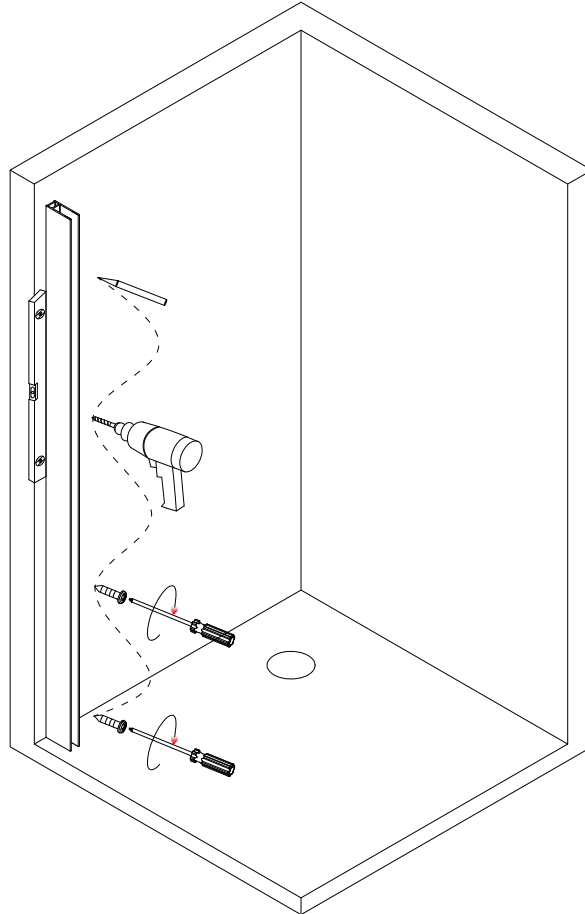
L



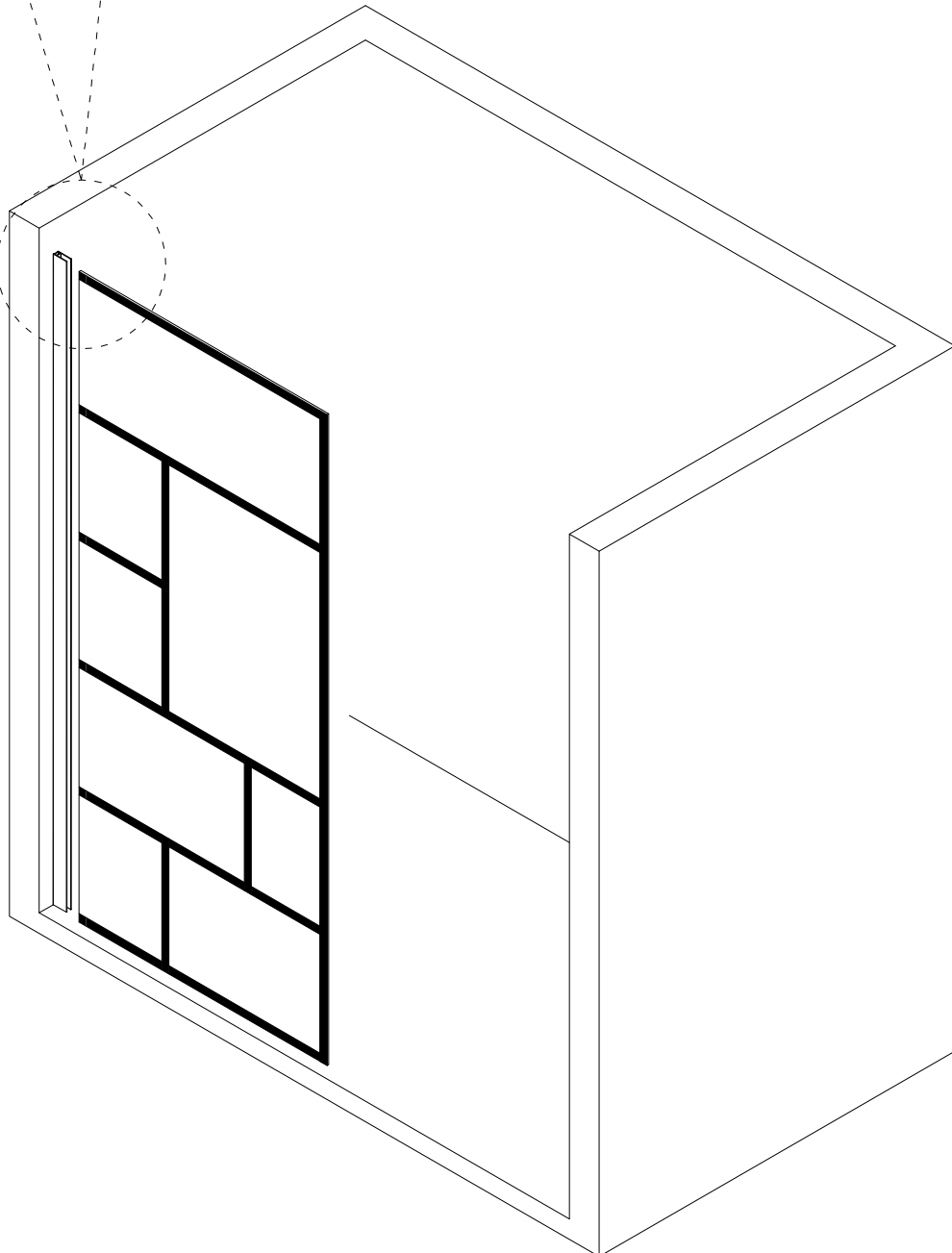
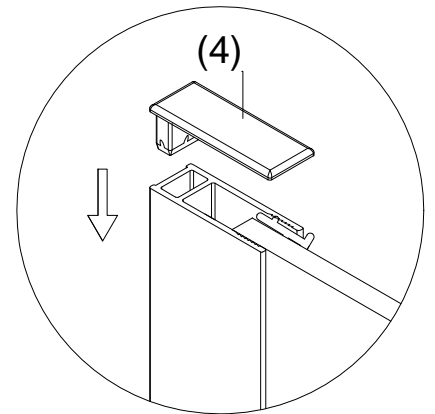
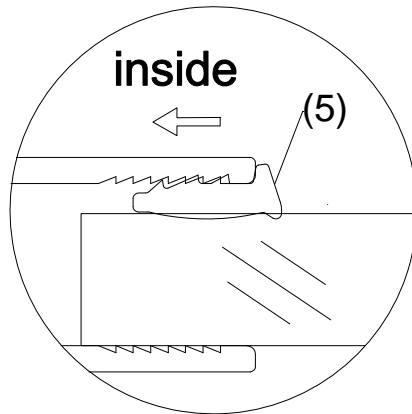
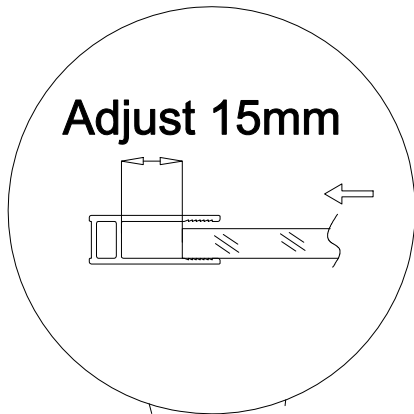
R



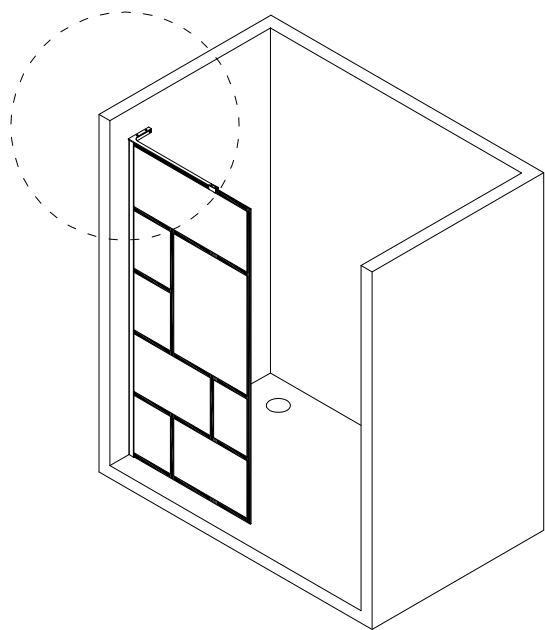
Step 1



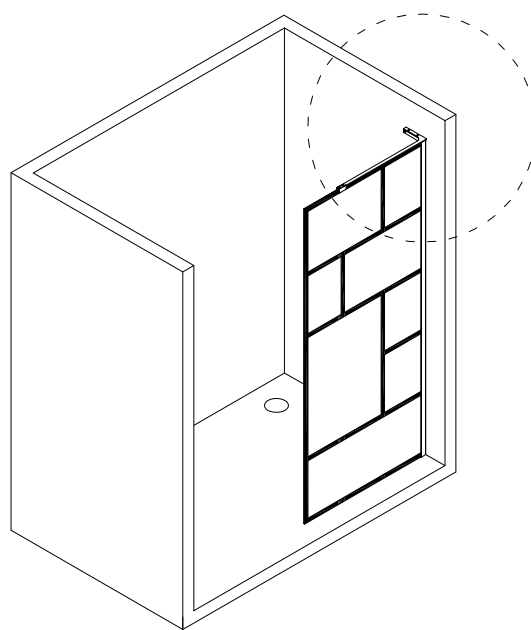
Step 2



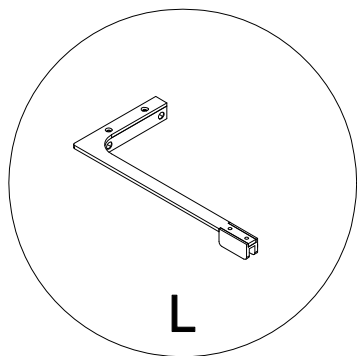
Step 3



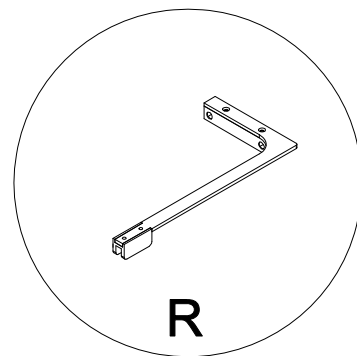
L



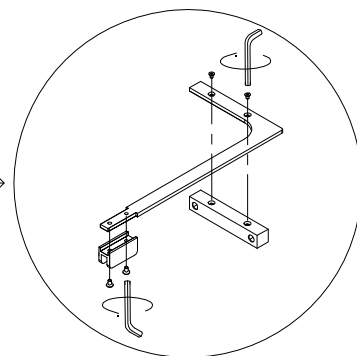
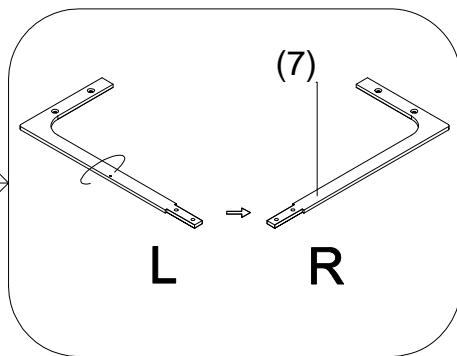
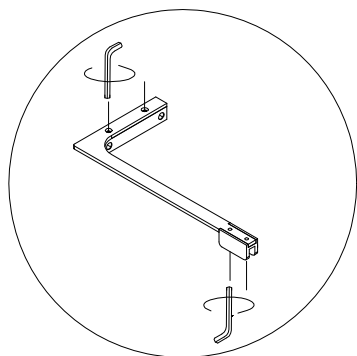
R



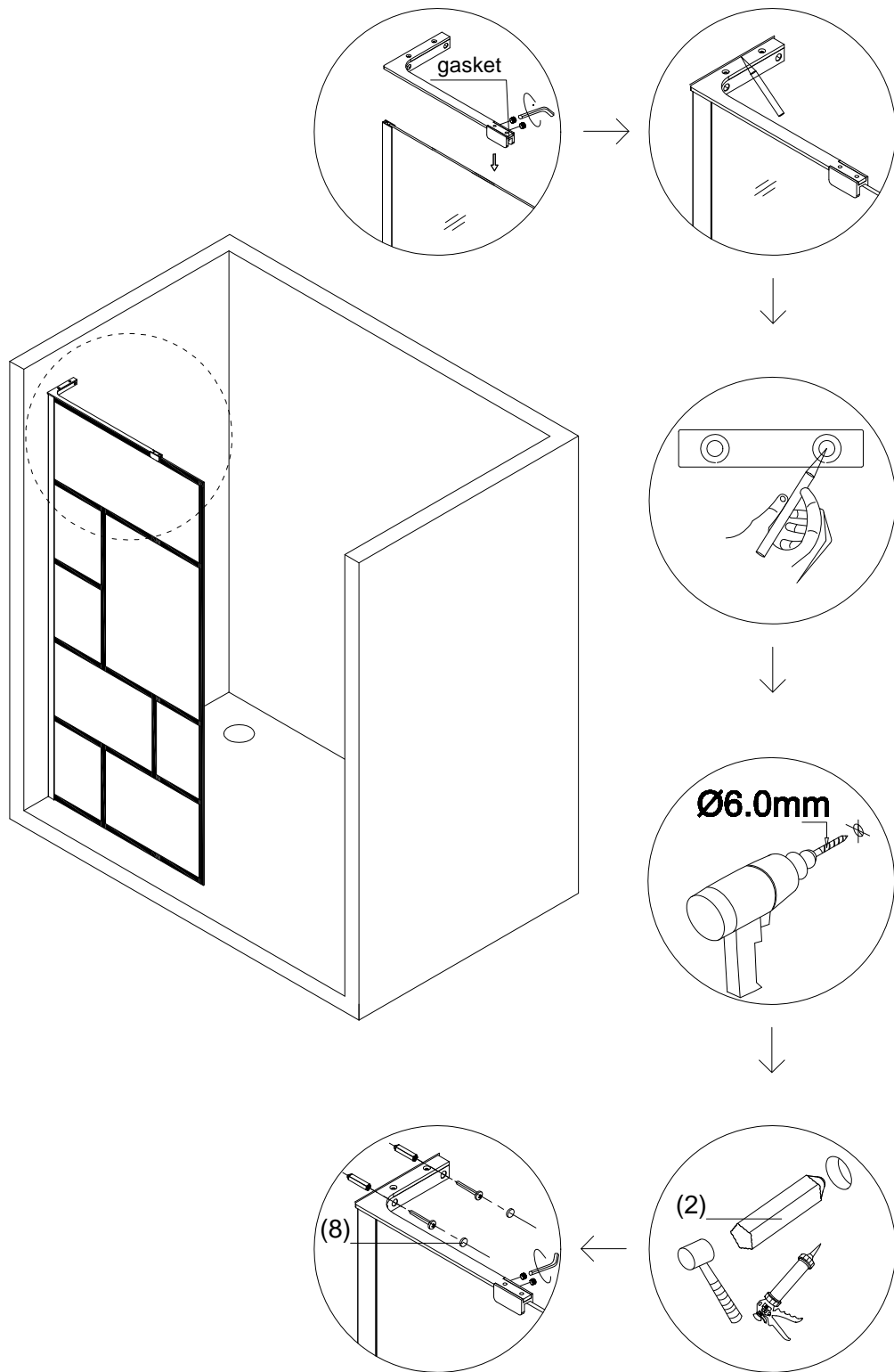
L



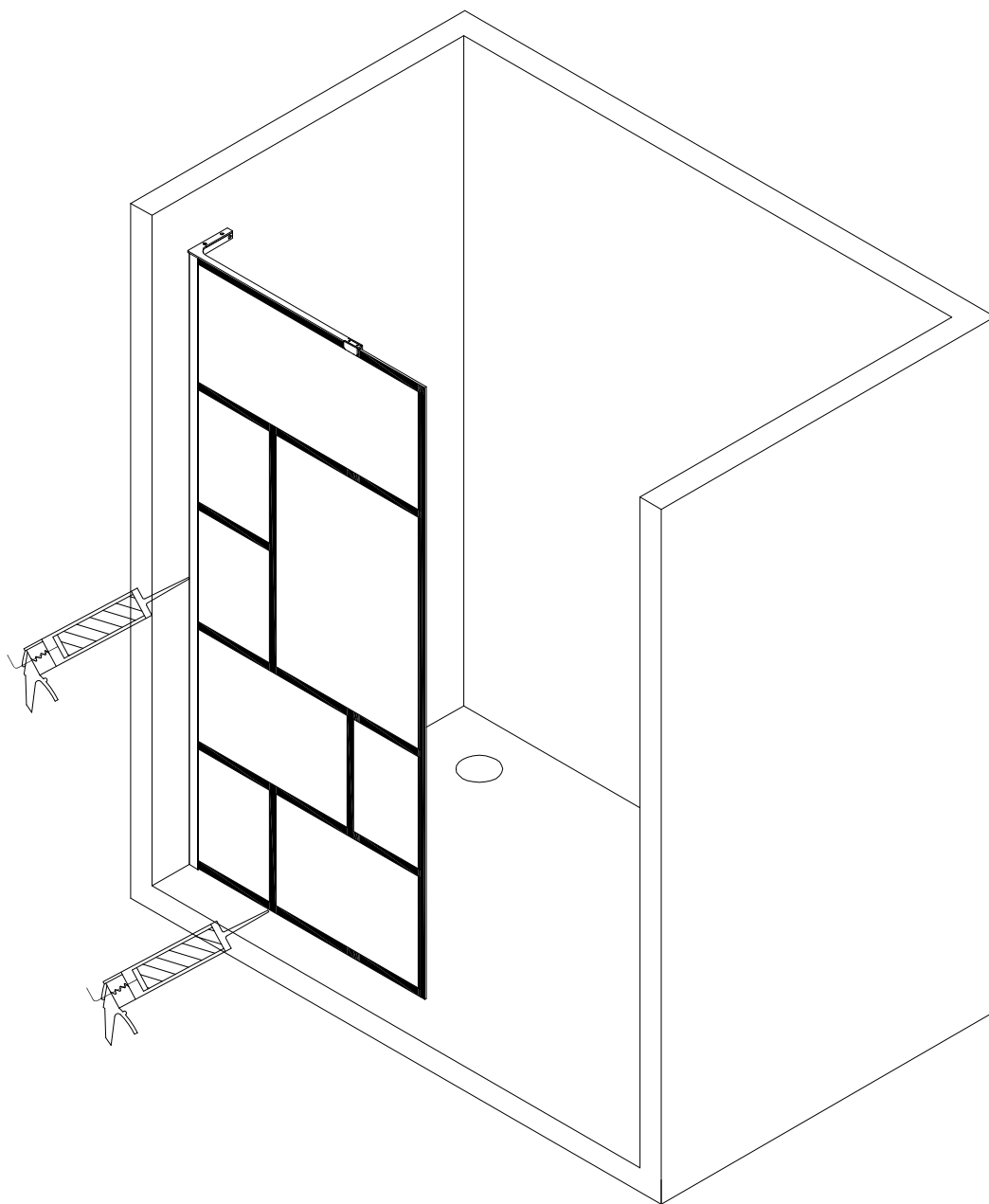
R



Step 4



Step 5



Allow 24 hours for silicone to dry before use.
Silicone on the outside edge only