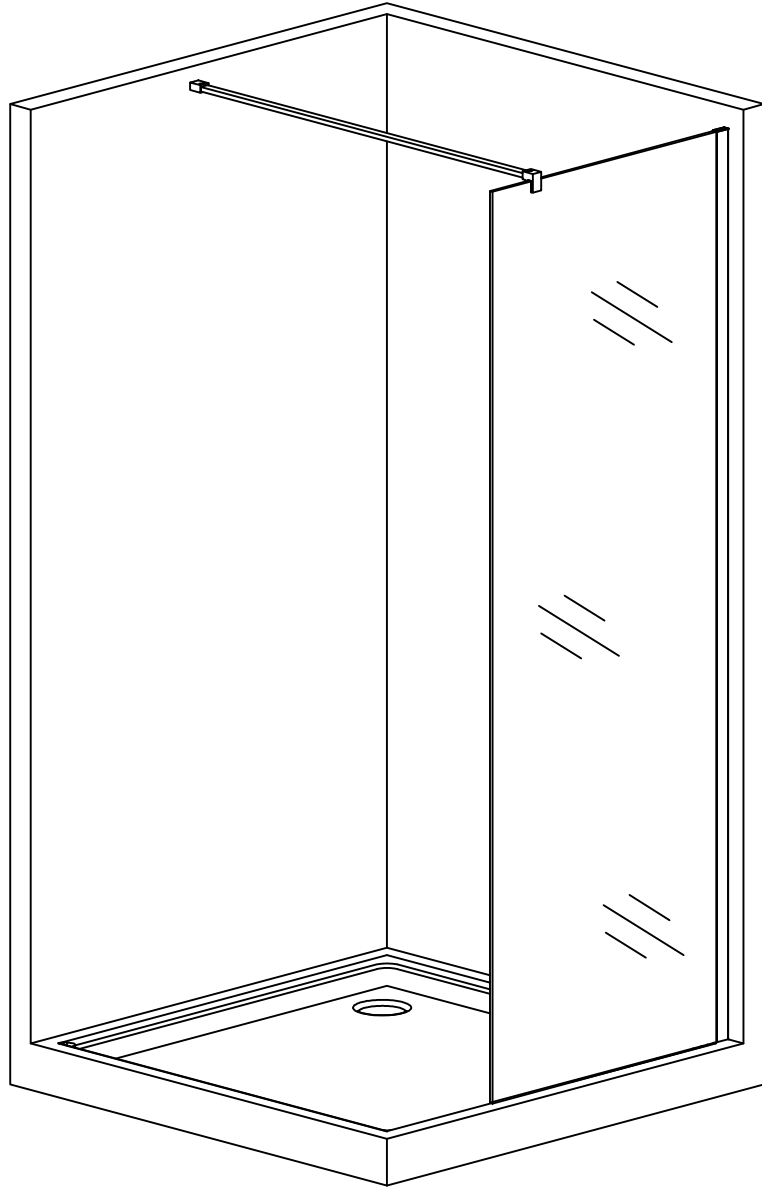


# GWRB Series



## ◆ General information

Please inspect the product immediately upon receipt for transit damage, missing packs/parts or manufacturing fault. Damage reported later cannot be accepted. Please handle the product with care avoiding knocks and shock loading to all sides and edges of the glass.

### **Note: Safety glass can not be re-worked.**

-Please read these instructions carefully before start of installation.

-Special care should be taken when drilling walls to avoid hidden pipes or electrical cables.

-Note: this product is heavy and required two persons install.

## **Aftercare instructions**

-After use, your shower should be cleaned with soap and water. This is particularly important in hard water districts where insoluble lime salts may be deposited and allowed to build up.

-Cleaners of gritty or abrasive nature should not be used. Care should be taken to avoid contact with strong chemicals such as organic solvents and strippers.

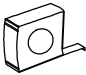


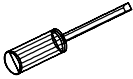


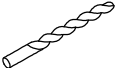
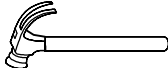


-Glass cleaners can be used but with caution, if in doubt contact the manufacturer of the cleaner in question.

-Please keep these instructions for aftercare and customer service details.

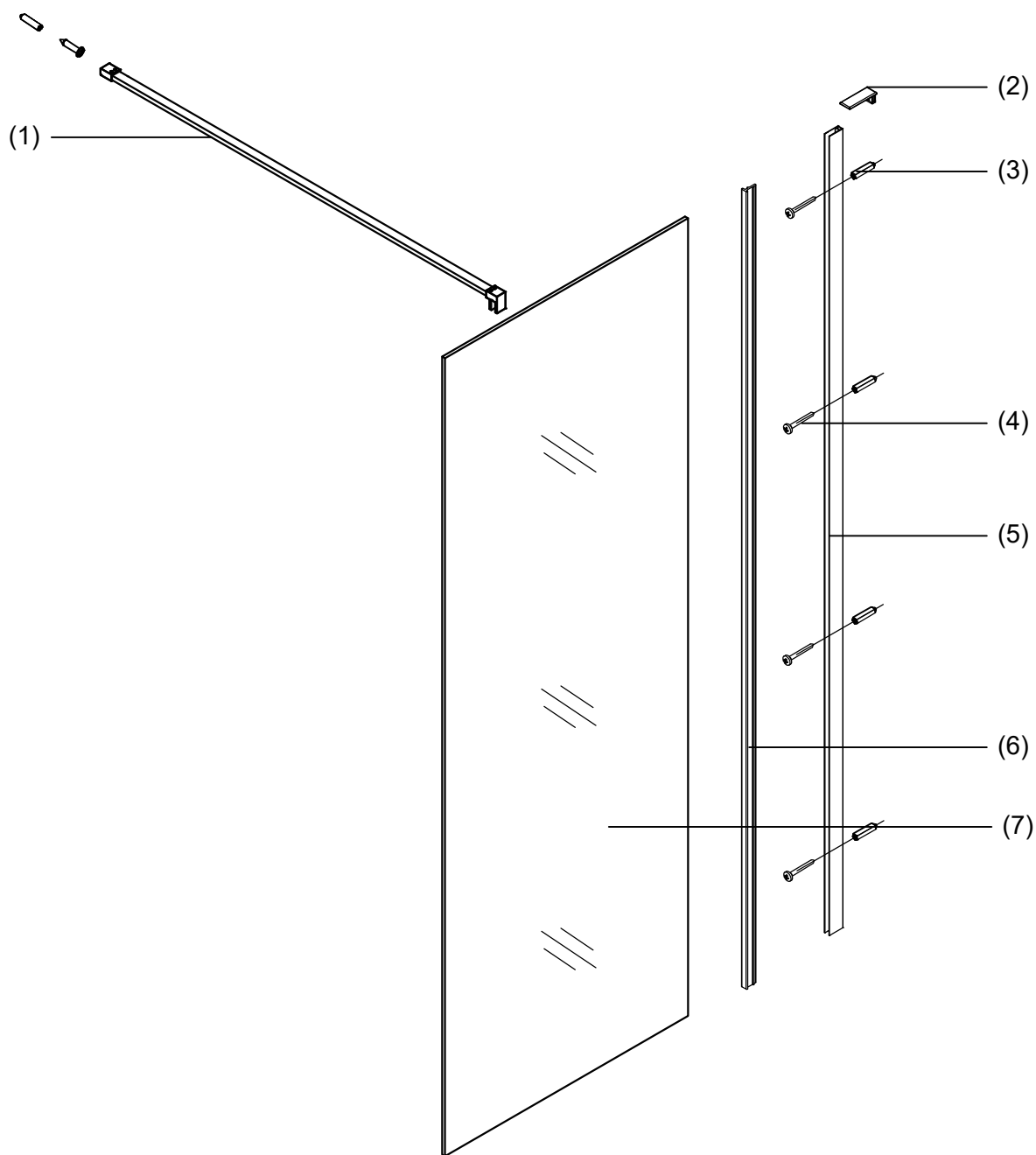
---



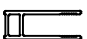
---

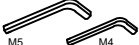
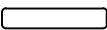
## TOOLS REQUIRED

DESCRIPTION	PART IMAGE	DESCRIPTION	PART IMAGE
Tape measure		Drill	
Spirit level		Flat-head Screwdriver	
Pencil		Cross head Screwdriver	
Ø6mm Drill bit		Hammer	
Ø3mm Drill bit		Silicone Sealant	

# ASSEMBLY INSTRUCTIONS-DRAWING

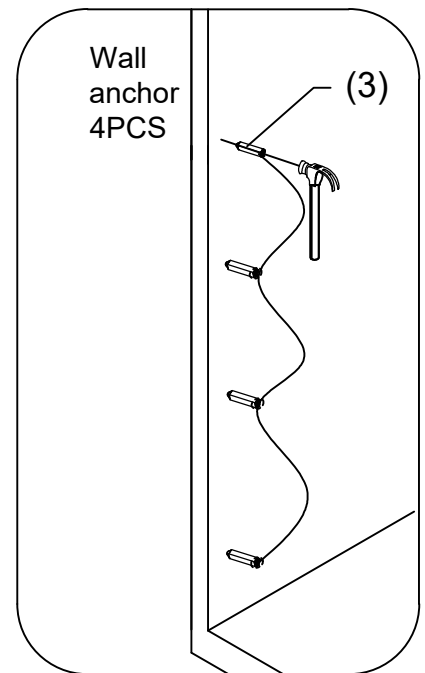
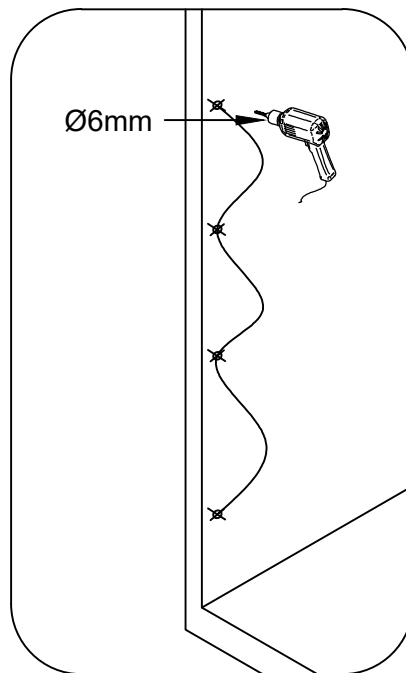
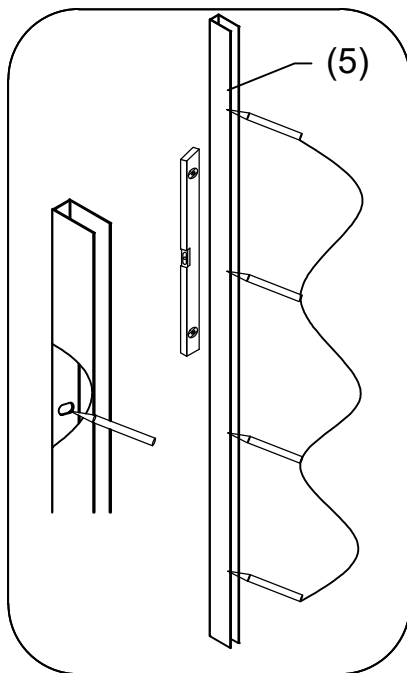
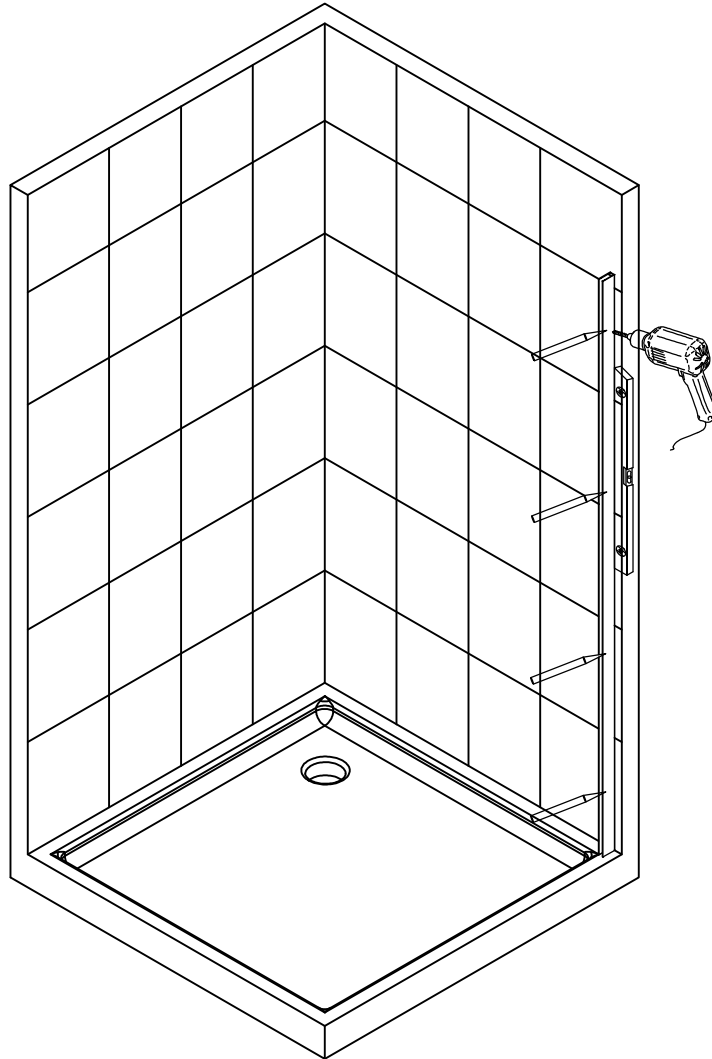


NO.	Description	QTY	Diagram
1	Support bar	1	
2	Decorative cover	1	
3	Wall anchor	5	
4	Round screw (3.9x30)	5	
5	Wall jamb	1	

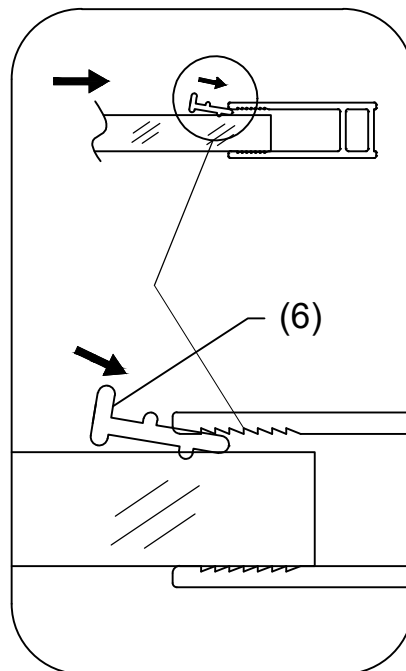
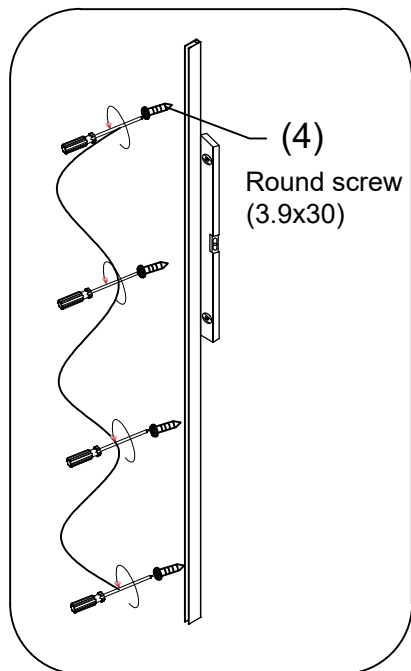
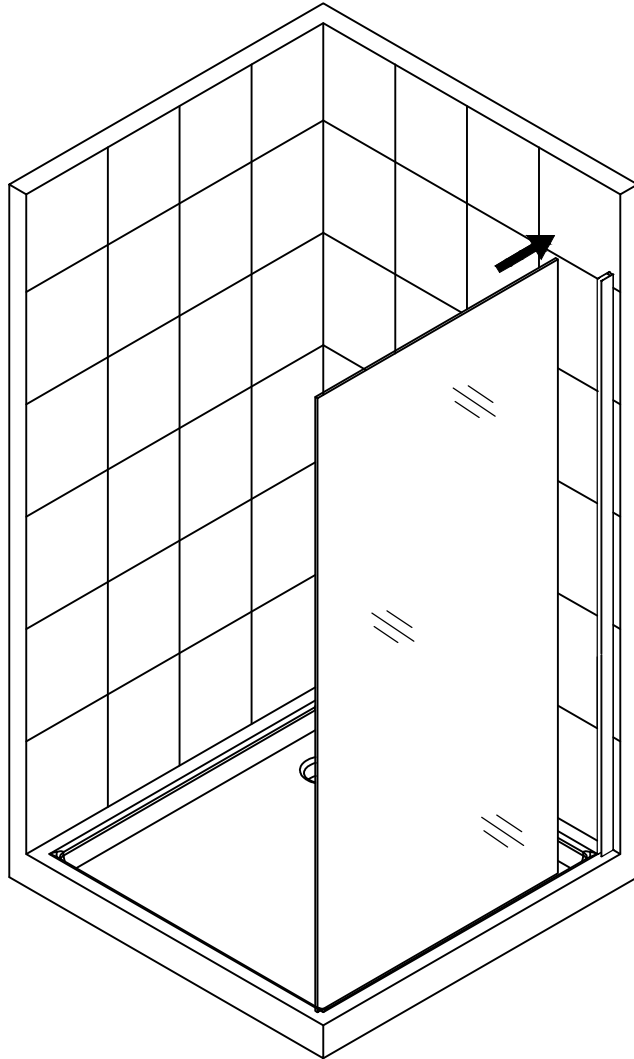
NO.	Description	QTY	Diagram
6	Rubber strip	1	
7	Glass	1	
8	Allen wrench	1	
9	Installation tool	1	

# ASSEMBLY INSTRUCTIONS

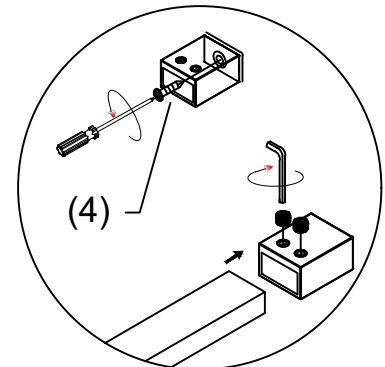
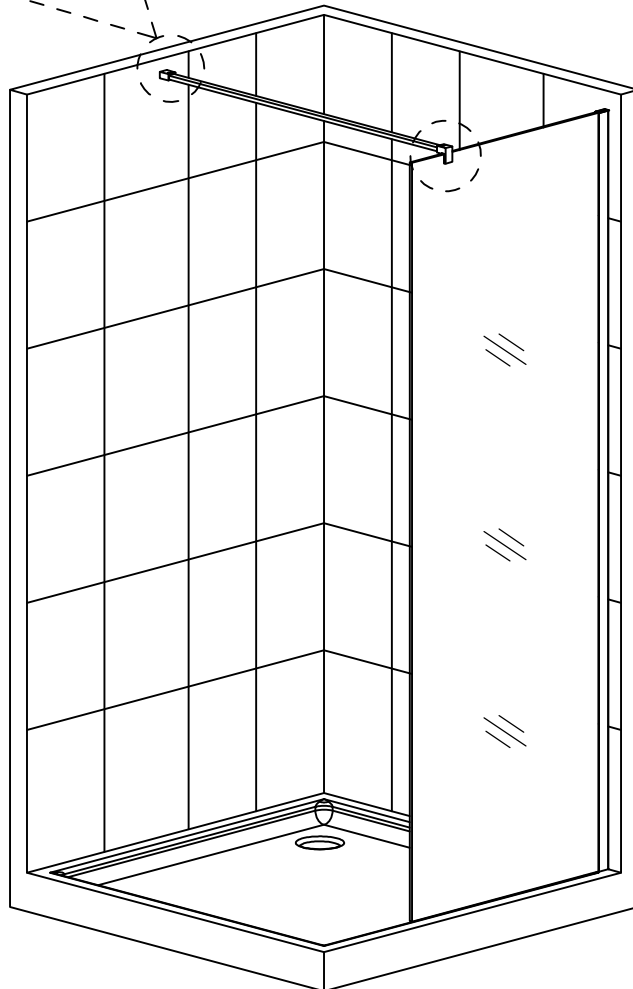
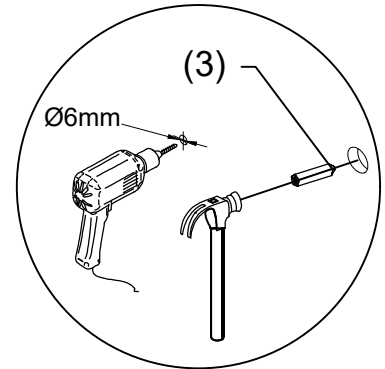
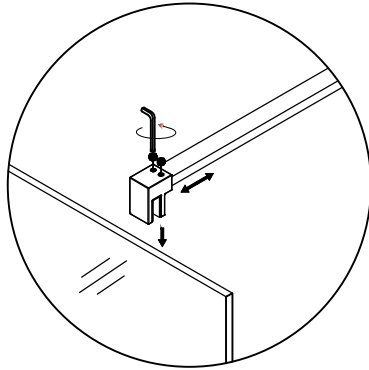
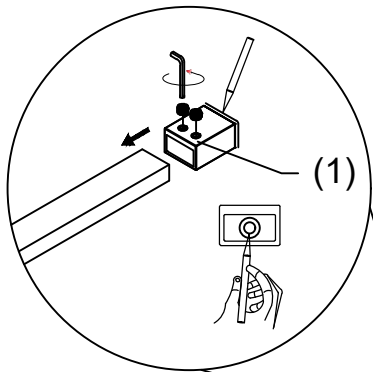
## Step 1



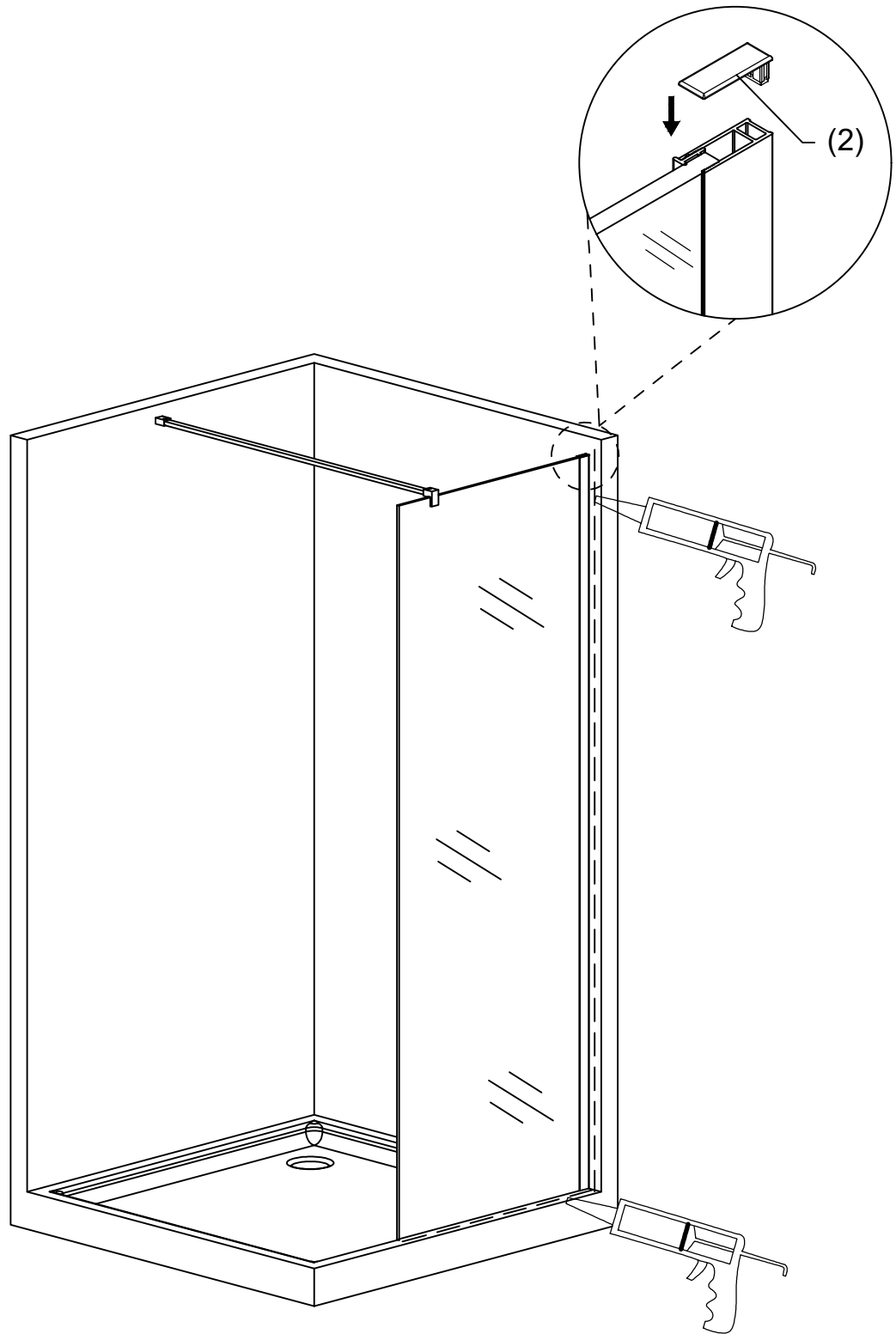
## Step 2



# Step 3



Step 4



Allow 24 hours for silicone to dry before use.  
Silicone on the outside edge only