

! WARNING! !

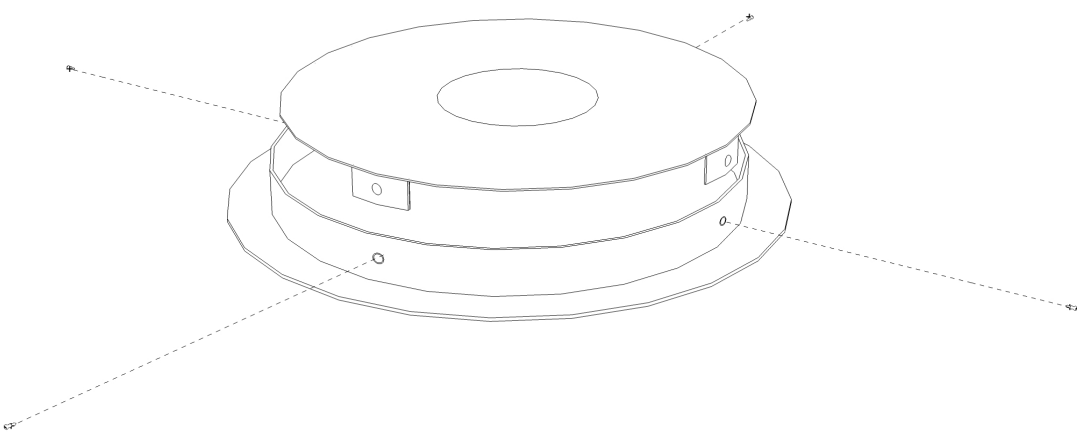
- DO NOT MAKE ADJUSTMENTS TO FIXTURE WHILE CIRCUIT BREAKER IS TURNED ON.
- Never tug on wires, especially when making adjustments to wire length. Doing so may cause damage to the wires or connections, and may result in electrical failure.
- Do not make adjustments to wire length before installing fixture.
- Socket covers and bulbs may be hot! Allow fixture to cool before touching.
- Do not over-tighten screws when attaching the pendants as glass may break.
- Use gloves when handling halogen light bulbs. Do not touch with bare hands.
- Ensure screws and fasteners are graded for weight of your fixture and ceiling type before installation.

THE INSTRUCTIONS AND DRAWINGS ARE INTENDED FOR INSTRUCTIONAL INSTALLATION PURPOSES ONLY. SIZES, QUANTITIES AND STYLES MAY VARY.

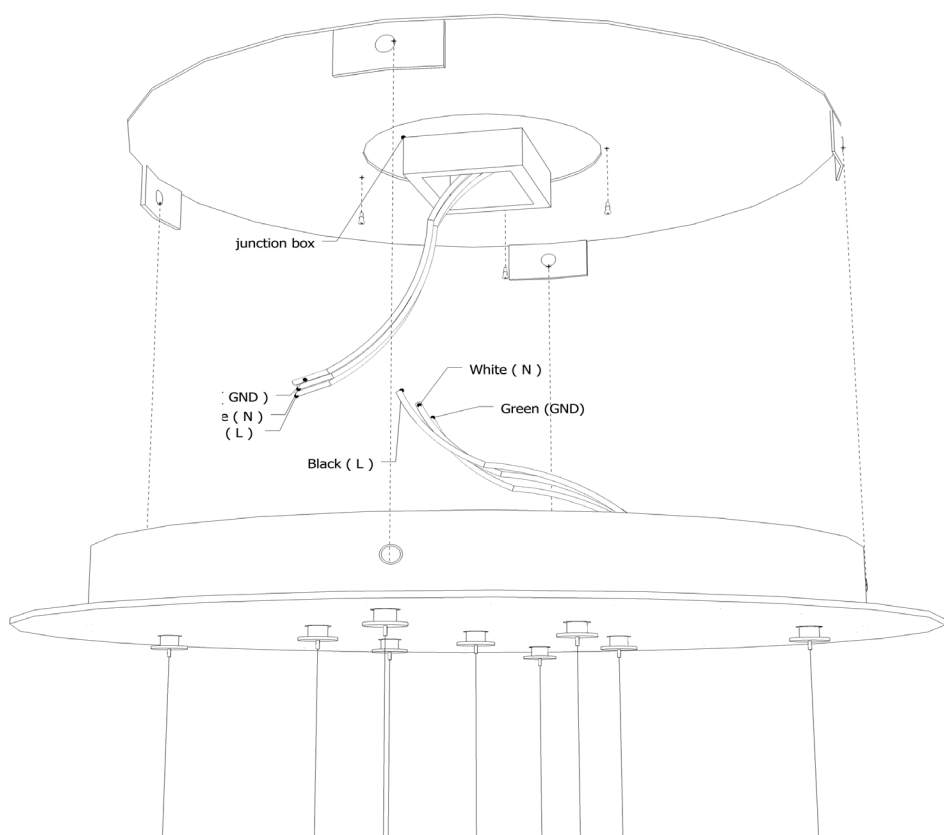
Shakuff

custom glass lighting & décor

INSTALLATION INSTRUCTIONS Four Glass Panels - Screw Attachment

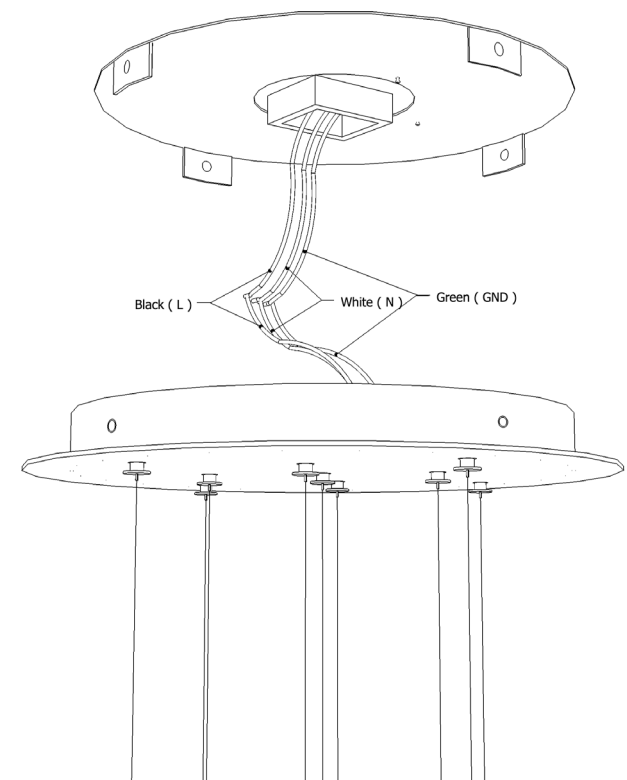


1 Ensure there is no power feeding to the fixture before starting. Remove provided screws from canopy/bracket, then remove the bracket from the canopy.



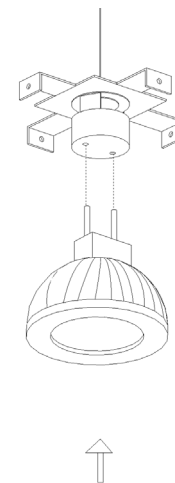
2 Install the metal bracket to the ceiling using (customer provided) screws, anchors and fasteners.

NOTE: Ensure screws and fasteners are graded for weight of your fixture and ceiling type before installation.

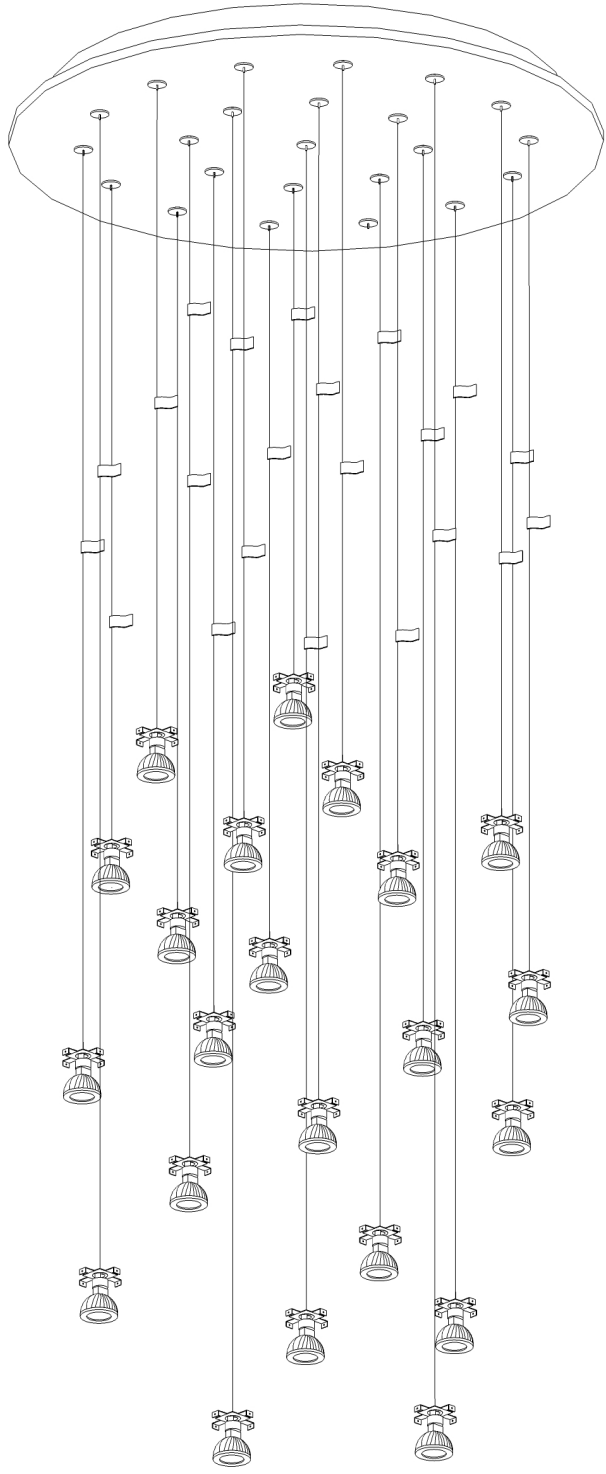


3 Make the electrical connections to the corresponding wires, then re-attach ceiling mounted bracket to the canopy using provided screws.

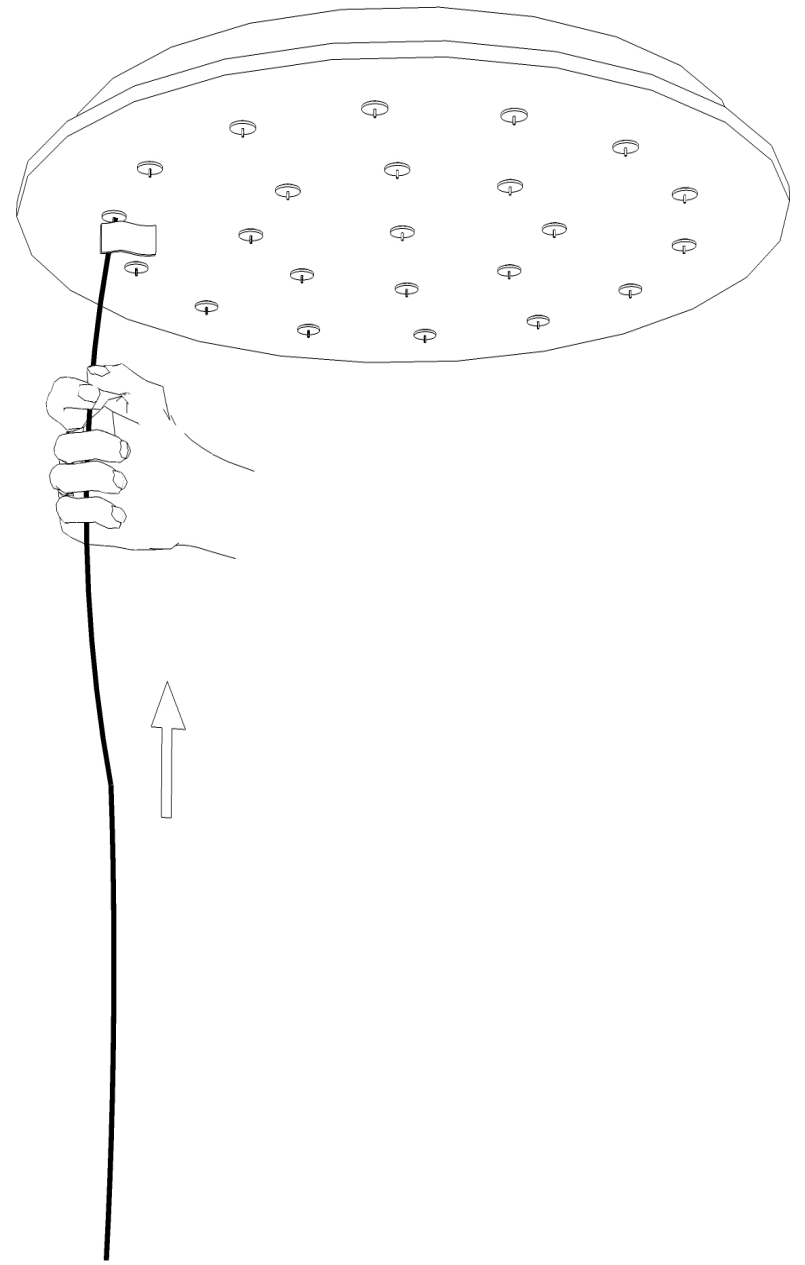
NOTE: When installing canopy to bracket, align arrows to ensure easy installation.



4 Insert light bulbs into the sockets. Turn on the electrical circuit breaker, and briefly test the fixture to ensure that all electrical is working. Once you have confirmed that the light fixture is working correctly, turn off the fixture before proceeding to the next steps.

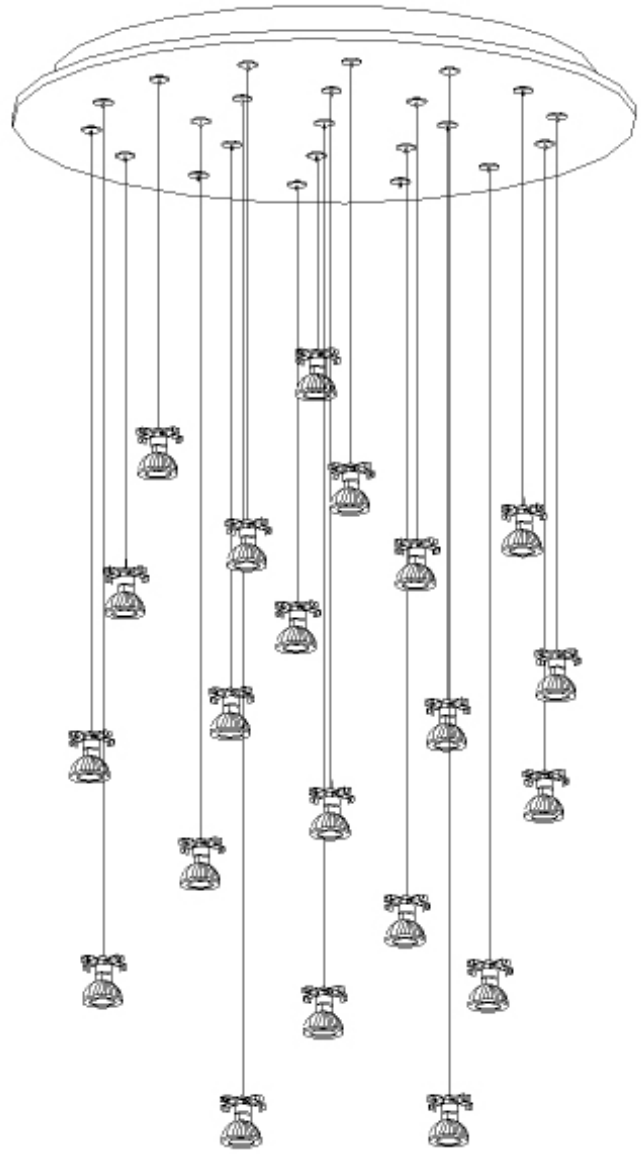


5 Each wire has numbered flags. This number corresponds to the accompanying Height Approximation (Inclosed).

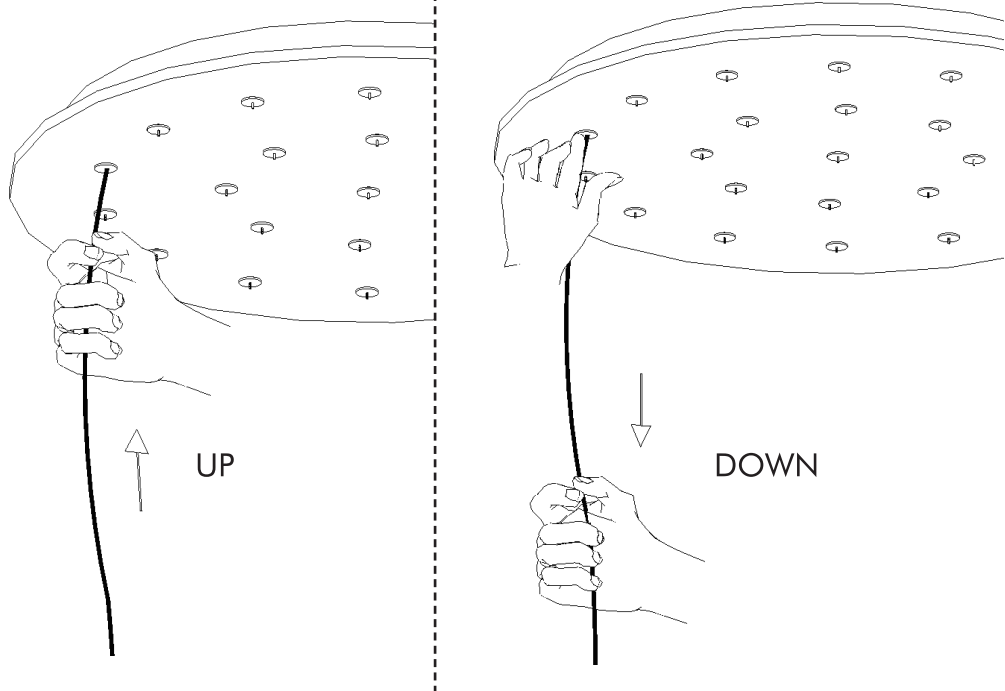


6 Push each wire up until the flag reaches the canopy , and remove the flag. This will match the pre determined drawings (Inclosed).

*Do not cut wire.



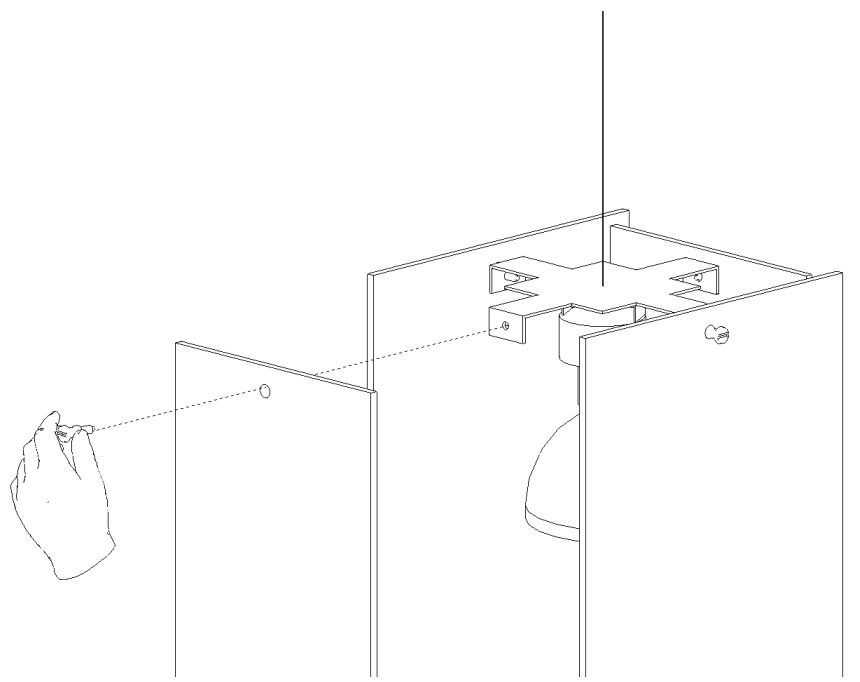
7 You are able to make adjustments to the wire lengths if necessary using the provided metal grippers on the canopy. SEE BELOW.



To adjust wire lengths: **NEVER TUG ON WIRES!** The fixture comes assembled at the maximum length. Lengthening a wire can only be done once it has been shortened. Never try to lengthen wires past the maximum length.

UP (to shorten wire): Gently push the wire up through the metal gripper to desired length. Wire will automatically lock into place.

DOWN (to lengthen wire): Recess the metal plunger/tip up into the gripper. While holding the tip in the up position, gently pull the wire down to desired length. Release plunger/tip. Wire will automatically lock into place.



8 Once the fixture is hanging and wires have been adjusted, attach your glass pendants. Ensure sockets are cool to the touch before proceeding.

TO ATTACH GLASS:

Each pendant is comprised of four panels of glass, 2 wide front/back panels and 2 narrow side panels. Attach each glass panel separately to the socket bracket using the provided screws. Start with the 2 front/back panels, then finish with the side panels. Ensure that all panels on the pendant are properly balanced on the bracket.

DO NOT OVERTIGHTEN SCREWS.

NOTE: Due to the textured nature of the glass, there may be some visible gapping along the seams between panels; this is normal. There is a correct side to each panel of glass. Ensure that the correct side is facing outward on all panels when installing. You may also use the above step for changing light bulbs, or maintaining the glass.

Once all pendants are hanging, carefully make any final adjustments to the wire lengths as necessary to get the desired finished look.

Once all adjustments have been made, turn on the power to the fixture.

