

SITEMAX™

T5 SITE & STREET LIGHTING FIXTURE



SITEMAX Features & Specifications

FEATURES:

- Wattage: (2L)=110W; (3L)=175W; (4L)=220W (5L)=270W; 6L=345W
- Lamp Life Rating: 35,000 hours. Over 3X that of 250W MH & 2X that of most horizontal 400W MH lamps
- CCT: 5K Standard; Lamps ship installed with -30, 35, 41 and 65K colors available
- CRI: 80+
- Applications: Municipal Roadways, Parking Lots, Bridgeways, Industrial Commercial Exteriors/Parks, Retail Frontage and Education Campuses

PHYSICAL SPECIFICATIONS:

- All Aluminum For Heat Management
- Flat Lens And Recessed Lamps For Full Cut Off Dark Sky Applications
- Instant Restrike With Emergency Or Restored Power
- Longer Lamp Life Than HID
- Lamps Maintain 95% Initial Light Levels Over Life With Uniform Distribution
- Use Controls To Reduce Or Turn Off At Specific Times

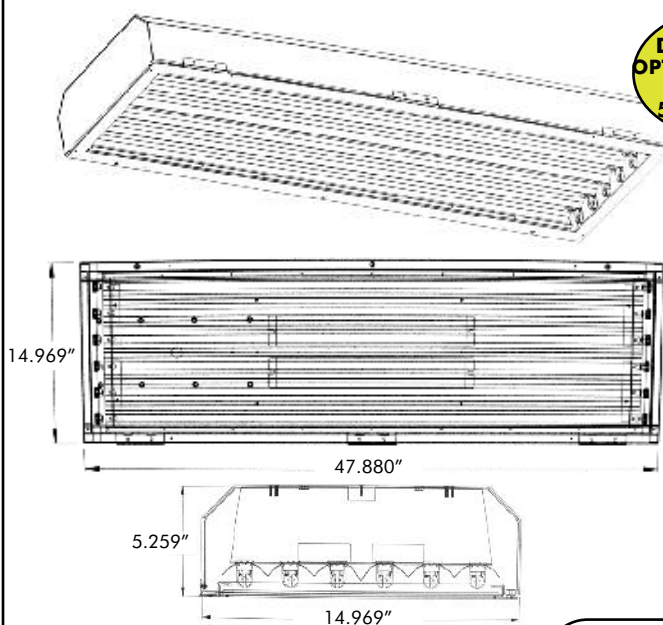
SITEMAX OPTIONS:

- Also Available In Induction, CMH and CFL & For Wide Variety Of Site Lighting Requirements
- Add New Poles Or Convert Existing
- Recessed, Surface Canopy, Wall Mount and Box Style Housing Options Available
- Consult AEI Factory Regarding Other Styles Of Energy Saving Site Fixtures Now Available From AEI

LUMINAIRE EPA Chart

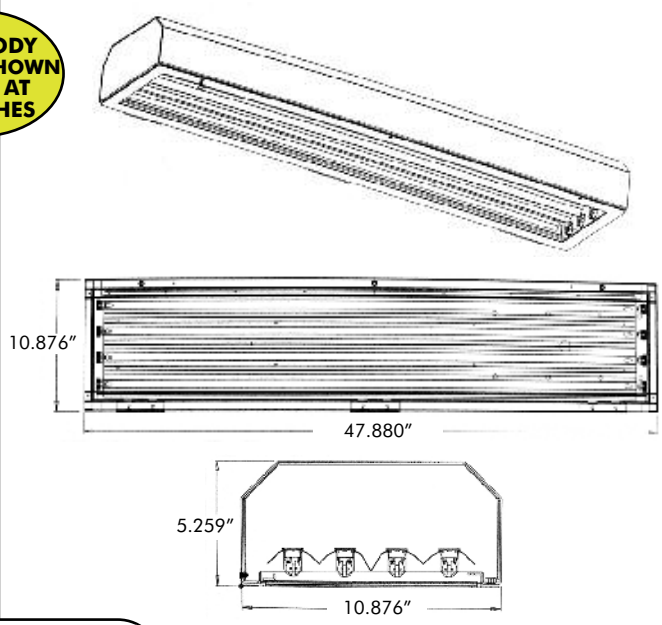
	Single	2.7
	D180°	5.3
	D90°	5.3
	T90°	8.0
	TN120°	9.2
	Q90°	10.7

SITEMAX 6-Lamp Fixture Dimensions



DEEP BODY
OPTION SHOWN
BELOW AT
5+ INCHES

SITEMAX 4-Lamp Fixture Dimensions



MAILED



SITEMAX™

T5 SITE & STREET LIGHTING FIXTURE



SITEMAX NightShot Illumination




Note: when installing SiteMax with the "ADJ" adjustable slip fit mount, do not aim above 20 degrees of horizontal.

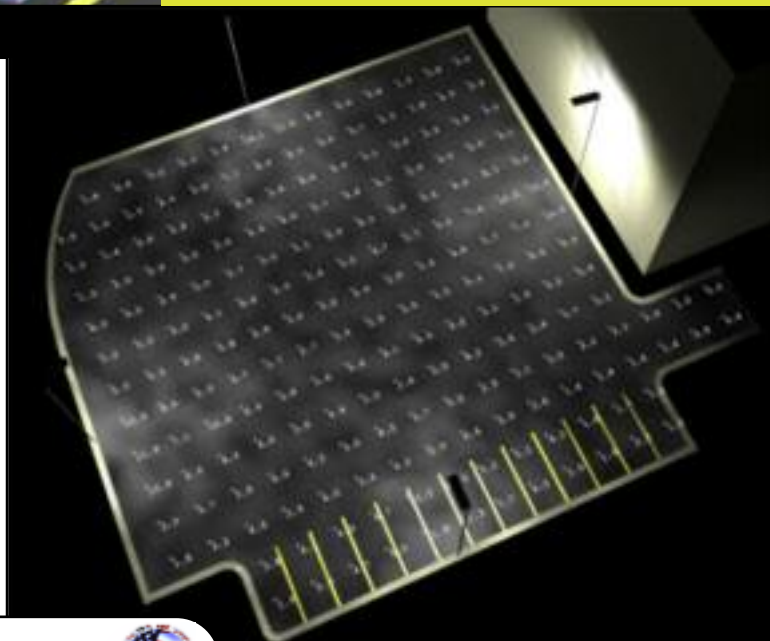
SITEMAX Body/Lamp Options

**Consult For Mounting
Options, Poles Brackets Etc**

Model	Body	Lamp Qty
T5XC- AL	(S/D)	254
T5XC- AL	(S/D)	354
T5XC- AL	(S/D)	454
T5XC- AL	(S/D)	554
T5XC- AL	(S/D)	654

(S/D = Shallow or Deep Body)

Symbol	Label	Qty	Catalog Number
	A	4	T5XC-AL-654-UI



AEI LIGHTING INC.

SITEMAX T5 SITE & STREET LIGHTING FIXTURE

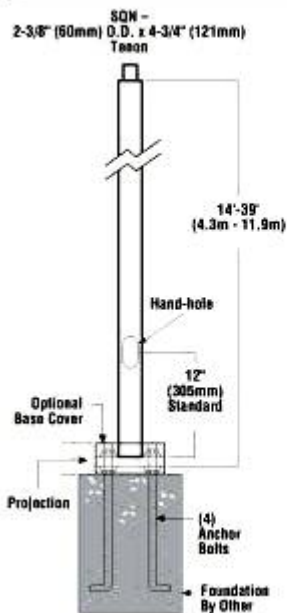
SITEMAX™

T5 SITE & STREET LIGHTING FIXTURE



SITEMAX Pole & Drilling Dimensions

DIMENSIONS



SQBO - Bolt-On Mount 2-Bolt Pattern



SQP - Square Pole Top



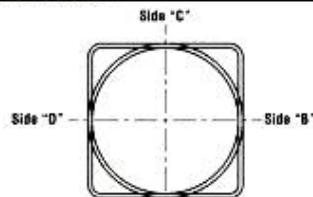
SQI - No Mounting Holes



SF - Single Fixed Pole Preparation



DRILLING LOCATIONS



Sides	A	B	C	D
Hand-hole	X			
Single	X			
Ø180"		X		X
Ø90"	X			X
Ø90"	X	X		X
Ø120"	X			
Ø80"	X	X	X	X
Single FBO	X			
Double FBO		X		X

*Other two locations will be 120° to the left and right of Side A.
 Note: Consult factory for custom variations. Standard SF and DF pole preparations are located 3/4 of the height of the pole from the base, unless otherwise specified.

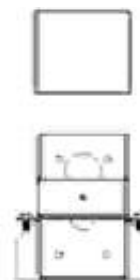
SHIPPING WEIGHTS - Steel Square Poles

4" (102mm) sq. 11 Ga. is approximately	7.50 lbs./ft.
4" (102mm) sq. Ga. is approximately	10.00 lbs./ft.
5" (127mm) sq. Ga. is approximately	9.00 lbs./ft.
5" (127mm) sq. Ga. is approximately	12.50 lbs./ft.
6" (152mm) sq. Ga. is approximately	15.40 lbs./ft.
Anchor Bolts (3/4" x 36") (19mm x 762mm)	15 lbs. (7kg)/set
Anchor Bolts (1" x 36") (25mm x 914mm)	30 lbs. (14kg)/set

SITEMAX Fixture Dimensions - Assembled



Note: when installing SiteMax with the "ADJ" adjustable slip fit mount, do not aim above 20 degrees of horizontal.



Consult Your AEI Representative or the AEI Factory for exact SITEMAX dimensions for your project.

SITEMAX Specifications

Fixture	Wattage	Initial Lamp Lumens (Lm)	CRI	CCT	Rated Life (Hours)
SITEMAX	(2L)=110W (3L)=170W (4L)=220W (6L)=335W	(2L)=10,000Lm (3L)=15,000Lm (4L)=20,000Lm (6L)=30,000Lm	RE80-80+ CRI	5K Standard; Also available in 30, 35, 41 & 65K available; T5HO available in Blue for emergency station ID	20-35,000 Hours depending on model and burning hours

Input Power	Input Voltage	Input Frequency	Power Factor	Operating Temp	THD%
(2L)=110W (3L)=170W (4L)=220W (6L)=335W	120-277 347 480	TBD	TBD	TBD On Testing	<10