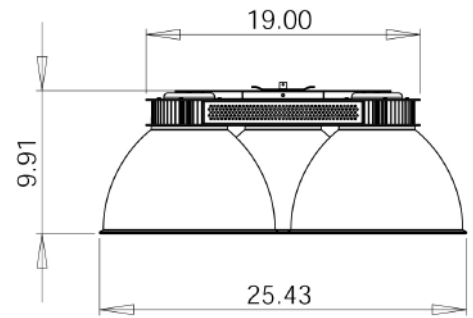
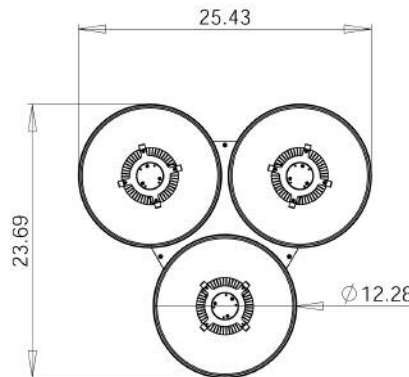
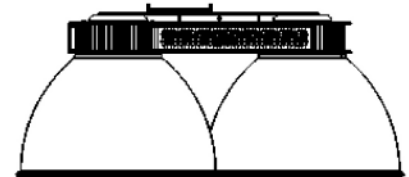


AEI's APOLLO HIGH-BAY Series LED fixtures are perfect for warehouse, production, manufacturing, distribution centers and other high-bay applications. The APOLLO Series, proudly 'Made in the U.S.A.', features many configurations to enable appropriately angled perimeter area, task and production floor illumination that maximizes energy and maintenance savings.

APOLLO 3

for WAREHOUSE, PRODUCTION & MANUFACTURING

From 75W to 345W



FEATURES

- BridgeLux high-output Vero 18 & 29 LEDs with an efficacy of up to 130 lm/W
- U.S.A. Made Housing & Construction
- Remote Installation: Unlimited Distance
- 5-Year Limited Warranty on all fixture components

ELECTRICAL

- Universal input voltage 120-277VAC, with 347-480VAC option available
- 0-10 Volt dimming offered
- Controls feature Analog, Digital and On-Board Dimming Scheduler
- LED Control: Constant Current, Adaptive Current Control, Power Control Programmable Current, Voltage & Power Software Adjustable
- Occupancy sensors and other integrated controls are possible. Contact AEI for details.
- Electronics are rated for a wide range of temperatures: -40°C (-40°F) to 46°C (115°F)
- Connectivity: Wired and Wireless
- Protection: On Board Surge, Input and Output

LIGHT ENGINES

- Narrow and wide distributions are available:
 - Refractive acrylic domes offer a more traditional look and distribution while providing glare reduction & more up-light production
 - Twist-on reflector option to tailor the LED's beam spread from 25° to 64°
- L70 lifetime is >65,000 hours when operating within specified temperatures
- 2700K (80, 90 & 97 CRI), 3000K (80, 90 & 97 CRI), 3500K (80 CRI), 4000K (80 CRI) and 5000K (70 CRI) CCT options available. Contact AEI for details.

APPLICATIONS

- Replaces conventional HID & fluorescent systems. Contact AEI for details.
- Warehouses and Distribution Centers
- Production and Processing Centers
- Manufacturing Facilities
- All High-Bay Applications

HOUSING & LENS

- Housing is made and assembled in the U.S.A.
- Lightweight and durable all-aluminum housing is low-profile and has excellent thermal & mechanical properties for years of worry-free illumination
- Pendant, aircraft cable and chain mounting options are standard
- Thermal Management with passive and active cooling options depending on thermal wattage

FINISH

- Durable powder coat is offered in a multitude of colors and finishes. Contact AEI for a complete list of options



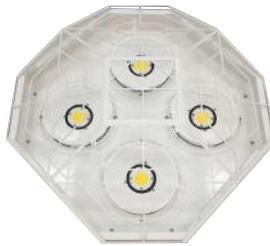
AEI LIGHTING

AEI's APOLLO HIGH-BAY Series LED fixtures are perfect for warehouse, production, manufacturing, distribution centers and other high-bay applications. The APOLLO Series, proudly 'Made in the U.S.A.', features many configurations to enable appropriately angled perimeter area, task and production floor illumination that maximizes energy and maintenance savings.

APOLLO 4

for WAREHOUSE, PRODUCTION & MANUFACTURING

From 100W to 460W



FEATURES

- BridgeLux high-output Vero 18 & 29 LEDs with an efficacy of up to 130 lm/W
- U.S.A. Made Housing & Construction
- Remote Installation: Unlimited Distance
- 5-Year Limited Warranty on all fixture components

ELECTRICAL

- Universal input voltage 120-277VAC, with 347-480VAC option available
- 0-10 Volt dimming offered
- Controls feature Analog, Digital and On-Board Dimming Scheduler
- LED Control: Constant Current, Adaptive Current Control, Power Control Programmable Current, Voltage & Power Software Adjustable
- Occupancy sensors and other integrated controls are possible. Contact AEI for details.
- Electronics are rated for a wide range of temperatures: -40°C (-40°F) to 46°C (115°F)
- Connectivity: Wired and Wireless
- Protection: On Board Surge, Input and Output

LIGHT ENGINES

- Narrow and wide distributions are available:
 - Refractive acrylic domes offer a more traditional look and distribution while providing glare reduction & more up-light production
 - Twist-on reflector option to tailor the LED's beam spread from 25° to 64°
- L70 lifetime is >65,000 hours when operating within specified temperatures
- 2700K (80, 90 & 97 CRI), 3000K (80, 90 & 97 CRI), 3500K (80 CRI), 4000K (80 CRI) and 5000K (70 CRI) CCT options available. Contact AEI for details.

APPLICATIONS

- Replaces conventional HID & fluorescent systems. Contact AEI for details.
- Warehouses and Distribution Centers
- Production and Processing Centers
- Manufacturing Facilities
- All High-Bay Applications

HOUSING & LENS

- Housing is made and assembled in the U.S.A.
- Lightweight and durable all-aluminum housing is low-profile and has excellent thermal & mechanical properties for years of worry-free illumination
- Pendant, aircraft cable and chain mounting options are standard
- Thermal Management with passive and active cooling options depending on thermal wattage

FINISH

- Durable powder coat is offered in a multitude of colors and finishes. Contact AEI for a complete list of options



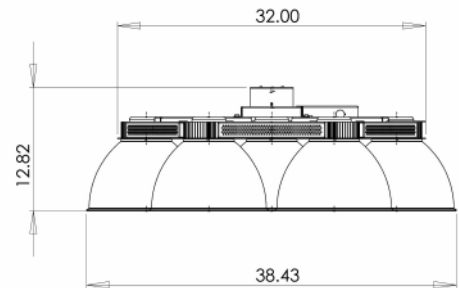
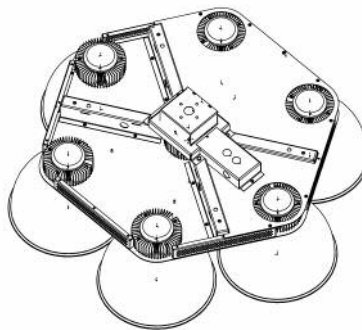
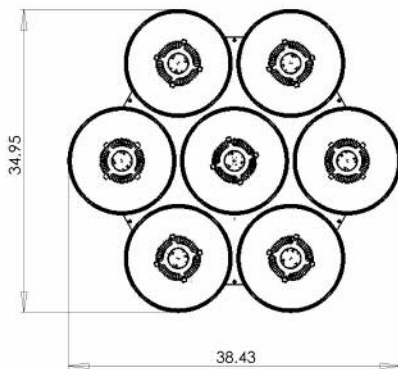
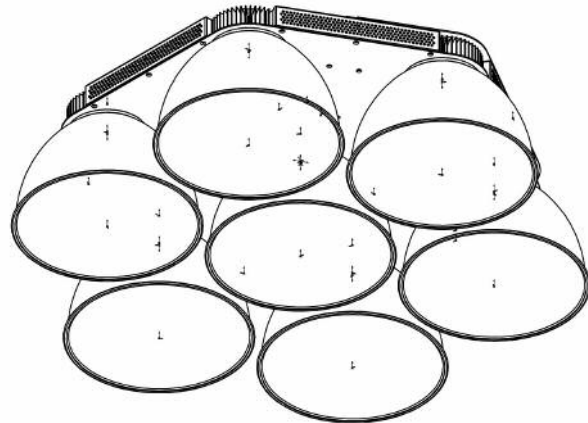
AEI LIGHTING

AEI's APOLLO HIGH-BAY Series LED fixtures are perfect for warehouse, production, manufacturing, distribution centers and other high-bay applications. The APOLLO Series, proudly 'Made in the U.S.A.', features many configurations to enable appropriately angled perimeter area, task and production floor illumination that maximizes energy and maintenance savings.

APOLLO 6 & 7

for WAREHOUSE, PRODUCTION & MANUFACTURING

From 150W to 805W



FEATURES

- BridgeLux high-output Vero 18 & 29 LEDs with an efficacy of up to 130 lm/W
- U.S.A. Made Housing & Construction
- Remote Installation: Unlimited Distance
- 5-Year Limited Warranty on all fixture components

ELECTRICAL

- Universal input voltage 120-277VAC, with 347-480VAC option available
- 0-10 Volt dimming offered
- Controls feature Analog, Digital and On-Board Dimming Scheduler
- LED Control: Constant Current, Adaptive Current Control, Power Control Programmable Current, Voltage & Power Software Adjustable
- Occupancy sensors and other integrated controls are possible. Contact AEI for details.
- Electronics are rated for a wide range of temperatures: -40°C (-40°F) to 46°C (115°F)
- Connectivity: Wired and Wireless
- Protection: On Board Surge, Input and Output

LIGHT ENGINES

- Narrow and wide distributions are available:
 - Refractive acrylic domes offer a more traditional look and distribution while providing glare reduction & more up-light production
 - Twist-on reflector option to tailor the LED's beam spread from 25° to 64°
- L70 lifetime is >65,000 hours when operating within specified temperatures
- 2700K (80, 90 & 97 CRI), 3000K (80, 90 & 97 CRI), 3500K (80 CRI), 4000K (80 CRI) and 5000K (70 CRI) CCT options available. Contact AEI for details.

APPLICATIONS

- Replaces conventional HID & fluorescent systems. Contact AEI for details.
- Warehouses and Distribution Centers
- Production and Processing Centers
- Manufacturing Facilities
- All High-Bay Applications

HOUSING & LENS

- Housing is made and assembled in the U.S.A.
- Lightweight and durable all-aluminum housing is low-profile and has excellent thermal & mechanical properties for years of worry-free illumination
- Pendant, aircraft cable and chain mounting options are standard
- Thermal Management with passive and active cooling options depending on thermal wattage

FINISH

- Durable powder coat is offered in a multitude of colors and finishes. Contact AEI for a complete list of options



AEI LIGHTING

APOLLO Series

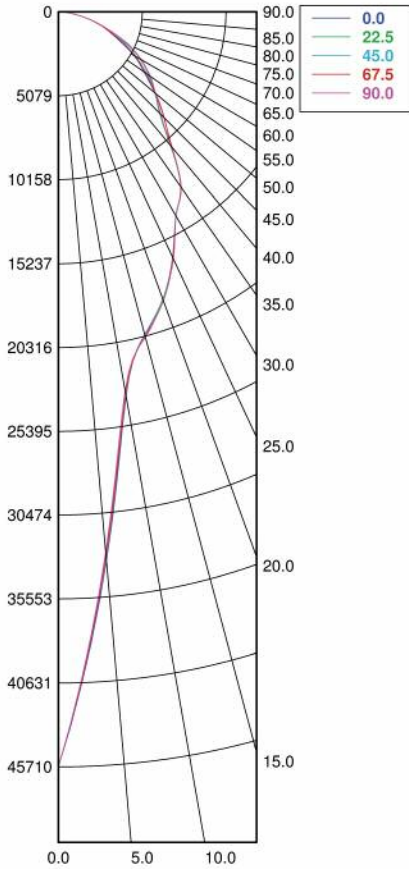
for WAREHOUSE, PRODUCTION & MANUFACTURING

HIGH BAY

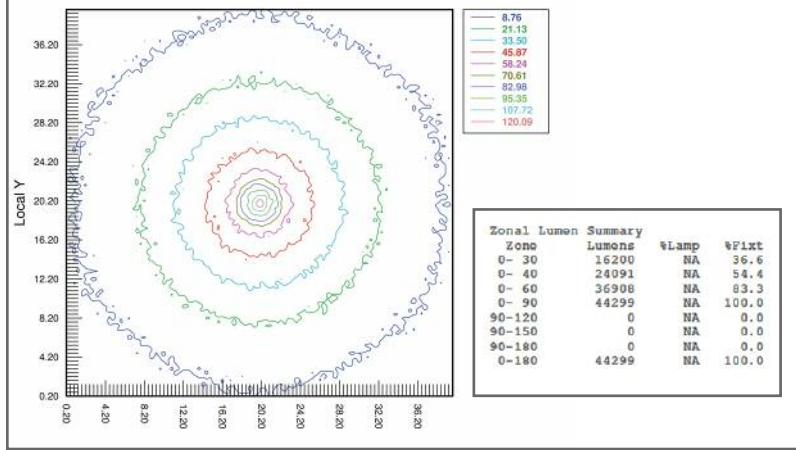


PHOTOMETRY APOLLO 7

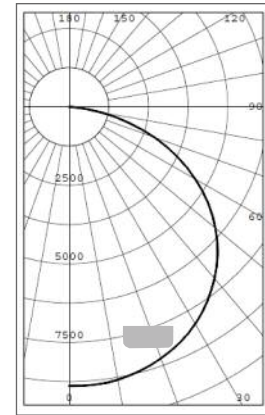
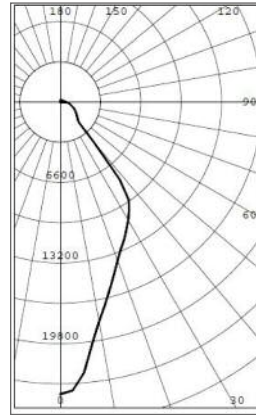
Candela Distribution Polar Plot for Apollo 7, Vero 18 LEDs



Illuminance Plane 1 Contour Plot for Apollo 7 with Vero 18 LEDs



PHOTOMETRY APOLLO 3



ORDERING GUIDE

Series	Light Engines/ Wattage	CCT	Voltage	Optical	Mounting	Options	Finish
APO							
<p>LIGHT ENGINES / WATTAGE 1 = 1 Light Engines, 25-115W 3 = 3 Light Engines, 75-345W 4 = 4 Light Engines, 100-460W 6 = 6 Light Engines, 150-690W 7 = 7 Light Engines, 175-805W</p>							
<p>CCT/LAMP COLOR 27=2700K (80, 90 or 97 CRI) 30=3000K (80, 90 or 97 CRI) 35=3500K (80 CRI) 40=4000K (80 CRI) 50=5000K (70 CRI) Leave Blank If No Lamps</p>							
<p>VOLTAGE UNI=120-277 VAC 347/480=347/480 VAC</p>							
<p>OPTICAL DME=Retractive Dome L25=25° Spread L29=29° Spread L39=39° Spread L46=46° Spread L51=51° Spread L64=64° Spread LAS=Asymmetric Spread Consult AEI Factory For Other Options</p>							
<p>MOUNTING CAB=Aircraft Cable PEN=Pendant CHN=Chain Mounting Consult AEI Factory For Mounting Options</p>							
<p>SENSORS OS=Occupancy Sensor PS=Daylight/Photo Sensor PD=0-10V Dimming Consult AEI Factory For Sensor Options</p>							
<p>OTHER Consult AEI Factory For Custom Applications and Ordering Number</p>							
<p>FINISH WG/WM=White Gloss / White Matte BLG/BLM=Black Gloss / Black Matte BRG/BRM=Bronze Gloss / Bronze Matte BA=Bare Aluminum SA=Sandblasted Aluminum Consult AEI Factory For Other Options</p>							

5-YEAR LIMITED WARRANTY
 VISIT AEILighting.com for Details
480-733-6594



AEI LED APOLLO SERIES

HIGH BAY LED for WAREHOUSE / MANUFACTURING