



WP63 LED WallPack Light

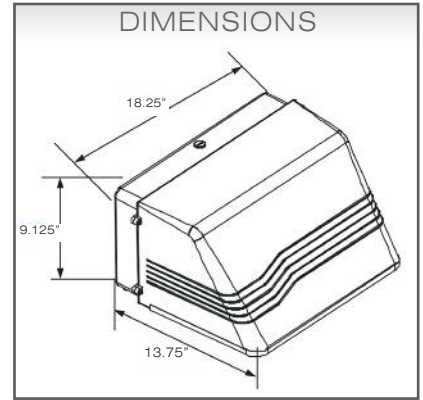
MODEL# AEIWP63



JOB NAME

JOB NUMBER

DATE



SPECIFICATIONS

HOUSING

- Die Cast Aluminum Housing & Hinged Full Cutoff Front Frame
- 1/2" Coin Plugs with O-Rings for Conduit & Photocell
- Textured Architectural Bronze Powdercoat Finish Over a Chromate Conversion Coating

LENS

Clear Flat Glass Lens or Clear Flat Prismatic Glass Lens

MOUNTING

Cast-in Template for Mounting Directly Over a 4" Recessed Outlet Box or Use 1/2" Surface Conduit

APPLICATIONS

- All Outdoor Areas & Streets/Roadways
- Moist, Damp & Wet Environments
- Building Exteriors
- Office Park & Campus Walkways

OPTIONS

- Surge Protection
- Custom Colors Available Upon Request

LumaFit LED

- Array Lumens: 6,977 (F Optic)
- Delivered Lumens: 5,676 (C, Clear)
5,734 (F, Clear)
- CRI: 72 (C Optics); 75 (F Optic)
- CCT: 5000K
- Rated Life: 50,000 Hours
- 5-Year Warranty
- Aluminum Boards

WATTAGE

- Array: 55.8W, System: 63W

DRIVER

- Electronic Driver 120-277V, 50/60Hz or 347/480V, 50/60 Hz
- Dimmable Driver

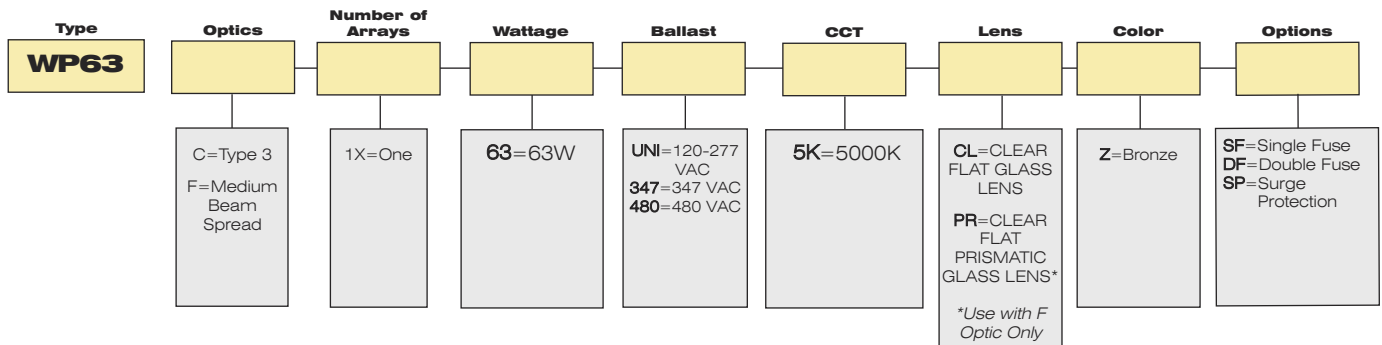
LISTING & RATINGS

- CSA: Listed for Wet Locations
- LM-79 Report Available on Select Models



ORDERING GUIDE

Ordering Example: WP63-F-1X-63-UNI-5K-CL-Z-M-P42





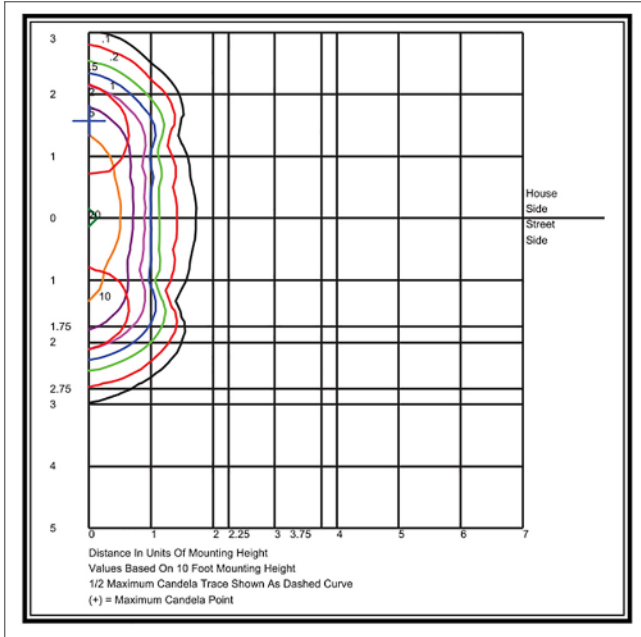
WP63 LED WallPack Light

MODEL# AEIWP63

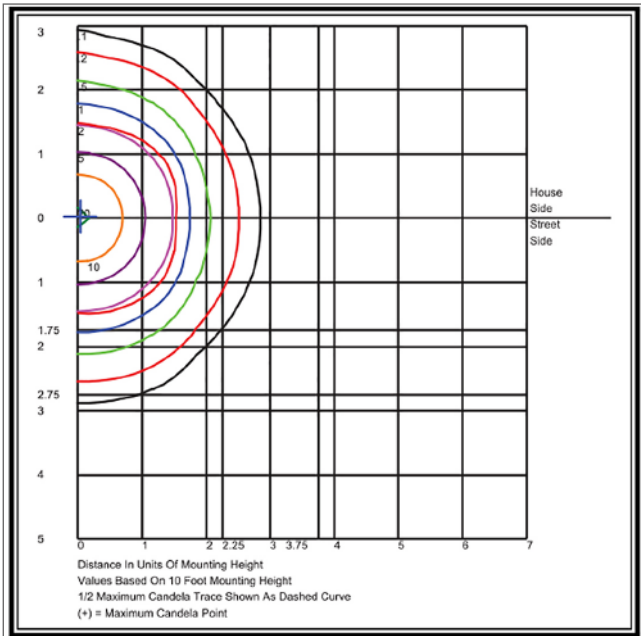


PHOTOMETRY

Model AEIWP63-C-1X-63-UNI-5K-CL



Model AEIWP63-F-1X-63-UNI-5K-CL



LIGHTING FACTS

LED lighting facts
A Program of the U.S. DOE

Light Output (Lumens)	5648
Watts	62.657
Lumens per Watt (Efficacy)	90.15

Color Accuracy Color Rendering Index (CRI)	72
---	----

Light Color
Correlated Color Temperature (CCT): 5071 (Daylight)

2700K 3000K Bright White 4500K Daylight 6500K

All results are according to IESNA LM-79-2008. Approved Method for the Electrical and Photometric Testing of Solid-State Lighting. The U.S. Department of Energy (DOE) verifies product test data and results.

Visit www.lightingfacts.com for the Label Reference Guide.

Registration Number: -V763YN (3/10/15)
Model Number: AEIWP63-C-1X-63-UNI-5K-CL
Type: Luminaire - Area/Roadway/Wallpack

LM-79 Report Available.
DesignLights Consortium™ Qualified Luminaire.

LED lighting facts
A Program of the U.S. DOE

Light Output (Lumens)	5712
Watts	61.398
Lumens per Watt (Efficacy)	93.03

Color Accuracy Color Rendering Index (CRI)	74
---	----

Light Color
Correlated Color Temperature (CCT): 5091 (Daylight)

2700K 3000K Bright White 4500K Daylight 6500K

All results are according to IESNA LM-79-2008. Approved Method for the Electrical and Photometric Testing of Solid-State Lighting. The U.S. Department of Energy (DOE) verifies product test data and results.

Visit www.lightingfacts.com for the Label Reference Guide.

Registration Number: -C1OKZS (1/21/2015)
Model Number: AEIWP63-F-1X-63-UNI-5K-CL
Type: Luminaire - Area/Roadway/Wallpack

LM-79 Report Available.
DesignLights Consortium™ Qualified Luminaire.

ACCESSORIES

