

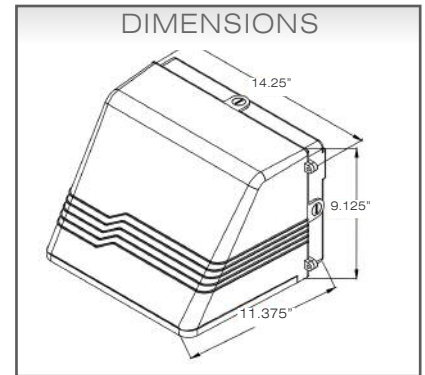


WP43 LED WallPack Light

MODEL# AEIWP43



JOB NAME
 JOB NUMBER
 DATE



SPECIFICATIONS

HOUSING

- Die Cast Aluminum Housing & Hinged Full Cutoff Front Frame
- 1/2" Coin Plugs with O-Rings for Conduit & Photocell
- Textured Architectural Bronze Powdercoat Finish Over a Chromate Conversion Coating

LENS

Clear Flat Glass Lens or Clear Flat Prismatic Glass Lens

MOUNTING

Cast-in Template for Mounting Directly Over a 4" Recessed Outlet Box or Use 1/2" Surface Conduit

APPLICATIONS

- All Outdoor Areas & Streets/Roadways
- Moist, Damp & Wet Environments
- Building Exteriors
- Office Park & Campus Walkways

OPTIONS

- Surge Protection
- Battery Backup
- Custom Colors Available Upon Request

LumaFit LED

- Array Lumens: 4,764 (F Optic)
- Delivered Lumens: 3,832 (C, Clear)
3,830 (F, Clear)
- CRI: 72 (C Optics); 75 (F Optic)
- CCT: 5000K
- Rated Life: 50,000 Hours
- 5-Year Warranty
- Aluminum Boards

WATTAGE

- Array: 37.2W, System: 43W

DRIVER

- Electronic Driver 120-277V, 50/60Hz or 347/480V, 50/60 Hz
- Dimmable Driver

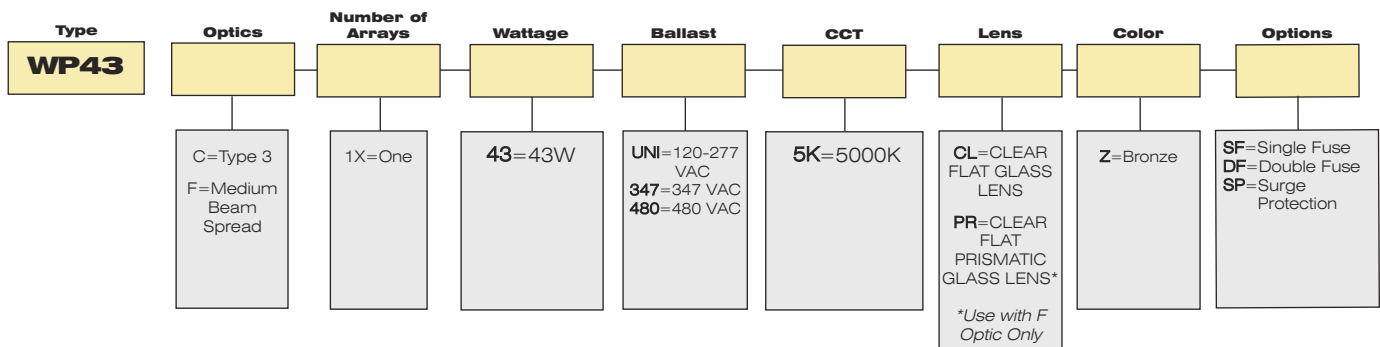
LISTING & RATINGS

- CSA: Listed for Wet Locations
- LM-79 Report Available on Select Models



ORDERING GUIDE

Ordering Example: **WP43-F-1X-43-UNI-5K-CL-Z-M-P42**





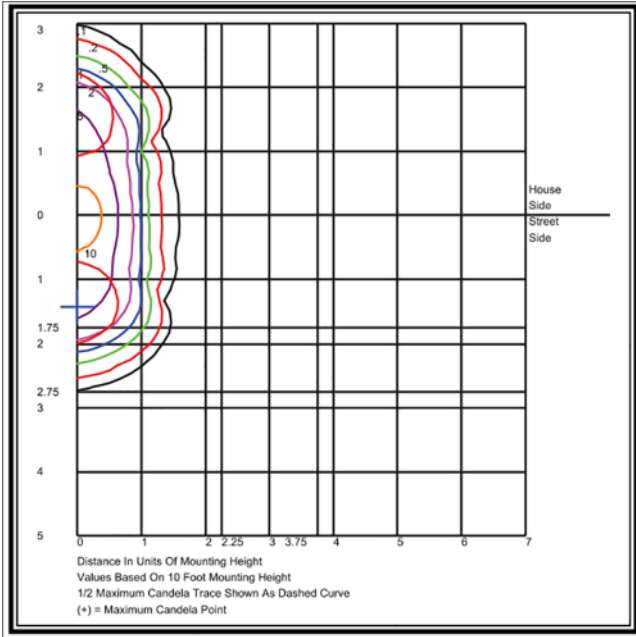
WP43 LED WallPack Light

MODEL# AEIWP43

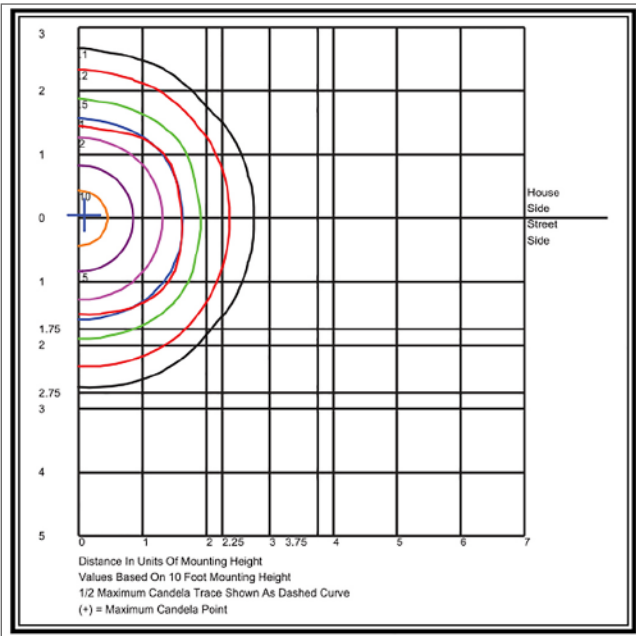


PHOTOMETRY

Model AEIWP43-C-1X-43-UNI-5K-CL



Model AEIWP43-F-1X-43-UNI-5K-CL



LIGHTING FACTS

LED lighting facts
A Program of the U.S. DOE

Light Output (Lumens)	3829
Watts	42.427
Lumens per Watt (Efficacy)	90.26

Color Accuracy Color Rendering Index (CRI)	71
---	----

Light Color
Correlated Color Temperature (CCT): 5033 (Daylight)

2700K 3000K 4500K 6500K

Warm White Bright White Daylight

All results are according to IESNA LM-79-2008: Approved Method for the Electrical and Photometric Testing of Solid State Lighting. The U.S. Department of Energy (DOE) verifies product test data and results.

Visit www.lightingfacts.com for the Label Reference Guide.

Registration Number: -A4AY5H (3/11/15)
Model Number: AEIWP43-C-1X-43-UNI-5K-CL
Type: Luminaire - Area/Roadway/WallPack

LM-79 Report Available.
DesignLights Consortium™ Qualified Luminaire.

LED lighting facts
A Program of the U.S. DOE

Light Output (Lumens)	3832
Watts	41.572
Lumens per Watt (Efficacy)	92.17

Color Accuracy Color Rendering Index (CRI)	74
---	----

Light Color
Correlated Color Temperature (CCT): 5105 (Daylight)

2700K 3000K 4500K 6500K

Warm White Bright White Daylight

All results are according to IESNA LM-79-2008: Approved Method for the Electrical and Photometric Testing of Solid State Lighting. The U.S. Department of Energy (DOE) verifies product test data and results.

Visit www.lightingfacts.com for the Label Reference Guide.

Registration Number: -7YG6S6 (12/4/2014)
Model Number: AEIWP43-F-1X-43-UNI-5K-CL
Type: Luminaire - Area/Roadway/WallPack

LM-79 Report Available.
DesignLights Consortium™ Qualified Luminaire.

ACCESSORIES

WPC15GLC

WPC15WG
(Shown Mounted)

3EBL120277

WPC15LG

WPC15Y
(Shown Mounted)

