



WP25 LED WallPack Light

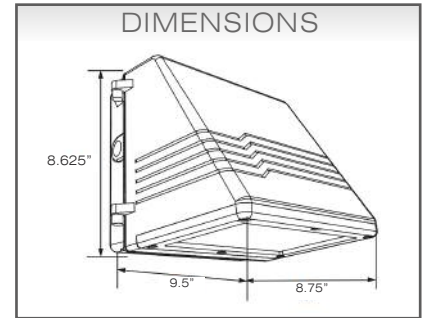


MODEL# AEIWP25

JOB NAME

JOB NUMBER

DATE



SPECIFICATIONS

HOUSING

- Die Cast Aluminum Housing & Hinged Full Cutoff Front Frame
- 1/2" Coin Plugs with O-Rings for Conduit & Photocell
- Textured Architectural Bronze Powdercoat Finish Over a Chromate Conversion Coating

LENS

Clear Flat Glass Lens or Clear Flat Prismatic Glass Lens

MOUNTING

Mount Directly Over a 4" Recessed Outlet Box or Use 1/2" Surface Conduit or Quick-Mount Bracket

APPLICATIONS

- All Outdoor Areas & Streets/Roadways
- Moist, Damp & Wet Environments
- Building Exteriors
- Office Park & Campus Walkways

OPTIONS

- Surge Protection
- Custom Colors Available Upon Request

LumaFit LED

- Array Lumens: 2,737 (C Optic)
2,318 (F Optic)
- Delivered Lumens: 2,068 (C, Clear)
2,158 (F, Clear)
- CRI: 72 (C Optics); 75 (F Optic)
- CCT: 5000K
- Rated Life: 50,000 Hours
- 5-Year Warranty
- Aluminum Boards

WATTAGE

- Array: 21.7W, System: 25W

DRIVER

- Electronic Driver 120-277V, 50/60Hz or 347/480V, 50/60 Hz
- Dimmable Driver

LISTING & RATINGS

- CSA: Listed for Wet Locations
- LM-79 Report Available on Select Models



ORDERING GUIDE

Ordering Example: **WP25-F-1X-25-UNI-5K-CL-Z-M-P42**

Type	Optics	Number of Arrays	Wattage	Ballast	CCT	Lens	Color	Options
WP25								
	C=Type 3 F=Medium Beam Spread	1X=One	25=25W	UNI=120-277 VAC 347=347 VAC 480=480 VAC	5K=5000K	CL= CLEAR FLAT GLASS LENS PR= CLEAR FLAT PRISMATIC GLASS LENS*	Z=Bronze	SF=Single Fuse DF=Double Fuse SP=Surge Protection
						*Use with F Optic Only		



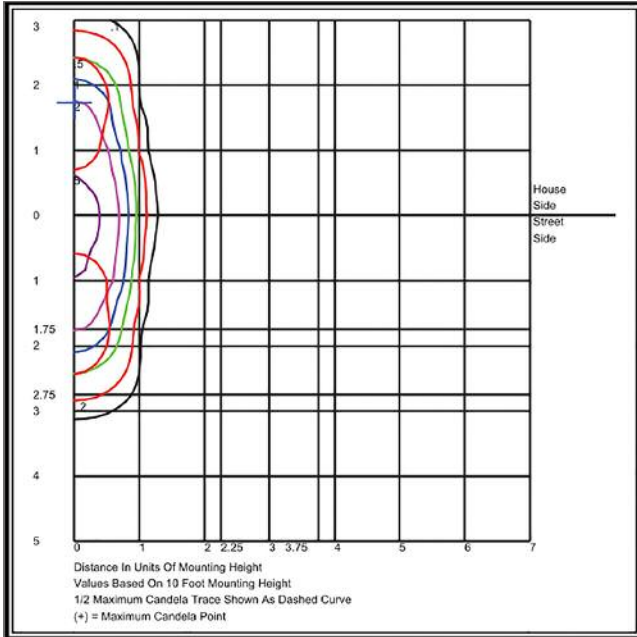
WP25 LED WallPack Light

MODEL# AEIWP25

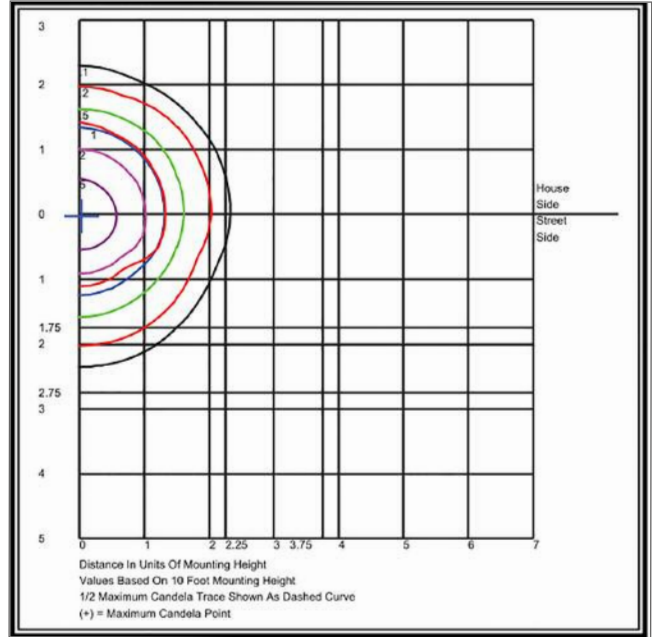


PHOTOMETRY

Model AEIWP25-C-1X-25-UNI-5K-CL



Model AEIWP25-F-1X-25-UNI-5K-CL



LIGHTING FACTS

QSSI

LED lighting facts
A Program of the U.S. DOE

Light Output (Lumens)	2191
Watts	25.465
Lumens per Watt (Efficacy)	86.03

Color Accuracy
Color Rendering Index (CRI) 74

Light Color
Correlated Color Temperature (CCT) 5147 (Daylight)

Warm White Bright White Daylight

2700K 3000K 4500K 6500K

All results are according to IESNA LM-79-2008: Approved Method for the Electrical and Photometric Testing of Solid-State Lighting. The U.S. Department of Energy (DOE) verifies product test data and results.

Visit www.lightingfacts.com for the Label Reference Guide.

Registration Number: -E0146E (4/14/15)
Model Number: AEIWP25-F-1X-25-UNI-5K-CL
Type: Luminaire - Area/Roadway/WallPack

LM-79 Report Available.
DesignLights Consortium™ Qualified Luminaire.

