



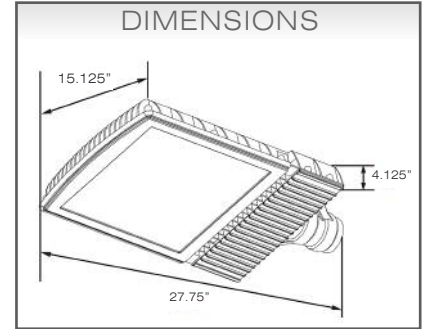
SL180 LED Area Light

MODEL# AEISL180

JOB NAME

JOB NUMBER

DATE



SPECIFICATIONS

HOUSING

- Heavy-Duty Low Profile Die Cast Aluminum Housing with Integral Heat-Sinking
- Driver Compartment
- Mounting Arm Adaptor
- Powdercoat Finish Over a Chromate Conversion Coating
- Includes Twist Lock Photocell Receptacle

LENS

Clear Flat Glass Lens or Clear Flat Prismatic Glass Lens

MOUNTING

Mounts on 2 3/8" Diameter Mounting Arm

APPLICATIONS

- All Outdoor Areas & Streets/Roadways
- Moist, Damp & Wet Environments
- Building Exteriors
- Office Park & Campus Walkways

OPTIONS

- Surge Protection
- Custom Colors Available Upon Request

LumaFit LED

- Array Lumens: 17,685 (C Optic)
17,685 (F Optic)
- Delivered Lumens: 17,092 (C, Clear)
17,276 (F, Clear)
- CRI: 73 (C Optics); 74 (F Optic)
- CCT: 5000K
- Rated Life: 50,000 Hours
- 5-Year Warranty
- Aluminum Boards

WATTAGE

- Array: 167.3W, System: 180W

DRIVER

- Electronic Driver 120-277V, 50/60Hz or 347/480V, 50/60 Hz
- Dimmable Driver

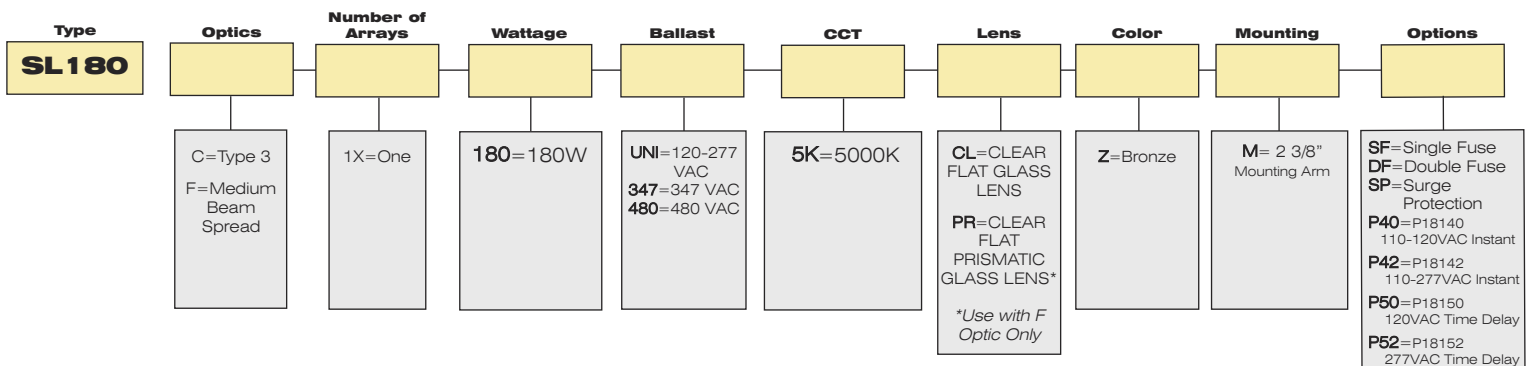
LISTING & RATINGS

- CSA: Listed for Wet Locations
- LM-79 Report Available on Select Models



ORDERING GUIDE

Ordering Example: SL180-F-1X-180-UNI-5K-CL-Z-M-P42



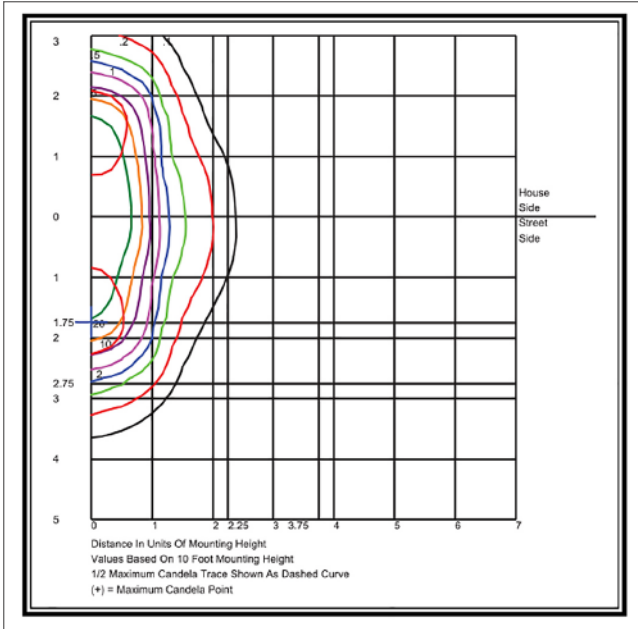


SL180 LED Area Light

MODEL# AEISL180

PHOTOMETRY

Model AEISL180-C-1X-180-UNI-5K-CL



LIGHTING FACTS

Lighting facts
A Program of the U.S. DOE

Light Output (Lumens)	17030
Watts	183.02
Lumens per Watt (Efficacy)	93.04

Color Accuracy
Color Rendering Index (CRI) 71

Light Color
Correlated Color Temperature (CCT) 4995 (Daylight)

Warm White 2700K | Bright White 3000K | Daylight 4500K | 6500K

All results are according to IESNA LM-79-2008: Approved Method for the Electrical and Photometric Testing of Solid-State Lighting. The U.S. Department of Energy (DOE) verifies product test data and results.

Visit www.lightingfacts.com for the Label Reference Guide.

Registration Number: -U2T23K (5/27/15)
Model Number: AEISL180-C-1X-180-UNI-5K-CL
Type Luminaire: Area/Roadway

LM-79 Report Available.
DesignLights Consortium™ Qualified Luminaire.

Lighting facts
A Program of the U.S. DOE

Light Output (Lumens)	17530
Watts	180.76
Lumens per Watt (Efficacy)	96.97

Color Accuracy
Color Rendering Index (CRI) 72

Light Color
Correlated Color Temperature (CCT) 5094 (Daylight)

Warm White 2700K | Bright White 3000K | Daylight 4500K | 6500K

All results are according to IESNA LM-79-2008: Approved Method for the Electrical and Photometric Testing of Solid-State Lighting. The U.S. Department of Energy (DOE) verifies product test data and results.

Visit www.lightingfacts.com for the Label Reference Guide.

Registration Number: -QUSD8P (11/18/2014)
Model Number: AEISL180-F-1X-180-UNI-5K-CL
Type Luminaire: Area/Roadway

LM-79 Report Available.
DesignLights Consortium™ Qualified Luminaire.

ACCESSORIES

Model AEISL180-F-1X-180-UNI-5K-CL

