



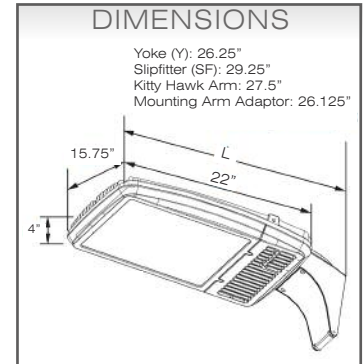
LAL281 LED Area Light

MODEL# AEILAL281

JOB NAME
 JOB NUMBER
 DATE



Shown with Kitty Hawk Mounting Arm



SPECIFICATIONS

HOUSING

- Die Cast Aluminum Housing and Front Frame
- Integral Heat-Sinking and Driver Compartment
- Textured Architectural Bronze Powdercoat Finish Over a Chromate Conversion Coating
- Photocell Adaptable
- Includes Receptacle and Shorting Cap

LENS

Clear Flat Glass Lens or Clear Flat Prismatic Glass Lens

MOUNTING

Mounts with Two-Piece Bracket, Yoke, Adjustable Slipfitter, Kitty Hawk Arm, 2 3/8" Diameter Mounting Arm Adaptor

APPLICATIONS

- All Outdoor Areas & Streets/Roadways
- Moist & Damp Environments
- Building Exteriors
- Office Park & Campus Walkways

OPTIONS

- Surge Protection
- Custom Colors Available Upon Request

LumaFit LED

- Array Lumens: 167W: 19,307
256W: 29,962
- Delivered Lumens: 167W: 16,709 (F, Clear)
256W: 25,077 (F, Clear)
- CRI: 72
- CCT: 5000K
- Rated Life: 50,000 Hours
- 5-Year Warranty
- Aluminum Boards

WATTAGE

- 167W: Array: 167.3W, System: 177W
- 256W: Array: 255.7W, System: 281W

DRIVER

- Electronic Driver 120-277V, 50/60Hz
- Dimmable Driver

LISTING & RATINGS

- CSA: Listed for Wet Locations
- LM-79 Report Available on Select Models



ORDERING GUIDE

Ordering Example: **LAL281-F-1X-177-UNI-5K-CL-Z-Y-DF**

Type	Optics	Number of Arrays	Wattage	Ballast	CCT	Lens	Color	Mounting	Options
LAL281									
	F=Medium Beam Spread	1X=One	177=177W 281=281W	UNI=120-277 VAC	5K=5000K	CL=CLEAR FLAT GLASS LENS PR=CLEAR FLAT PRISMATIC GLASS LENS*	Z=Bronze	BR=Two-piece swivel bracket SF=Splitter Y=Yoke MA=Mounting Arm Adaptor KA=Kitty Hawk Arm	SF=Single Fuse DF=Double Fuse SP=Surge Protection AH1=Accessory Housing <i>Consult AEI for Custom Colors, Wattages, Sensors and Other Options. Increased Lead Times May Apply.</i>
						*Use with F Optic Only			

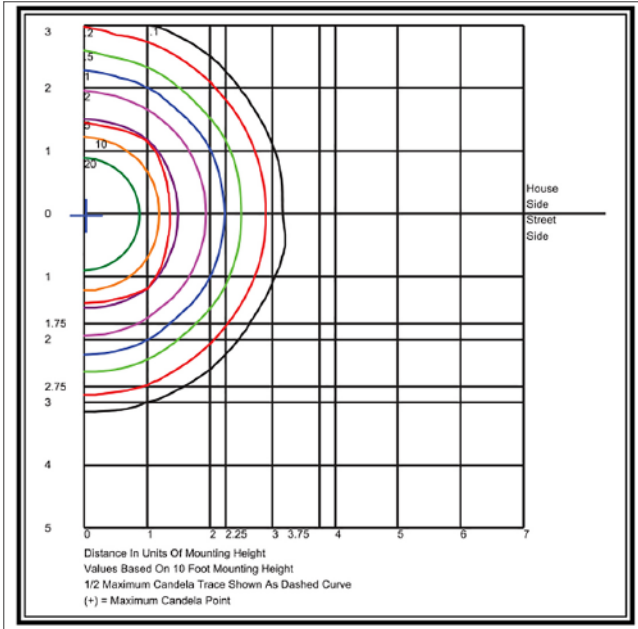


LAL281 LED Area Light

MODEL# AEILAL281

PHOTOMETRY

Model AEILAL281-F-1X-177-UNI-5K-CL



LIGHTING FACTS

LED lighting facts
A Program of the U.S. DOE

Light Output (Lumens)	16810
Watts	183.4
Lumens per Watt (Efficacy)	91.65

Color Accuracy
Color Rendering Index (CRI) 79

Light Color
Correlated Color Temperature (CCT) 5139 (Daylight)

2700K 3000K 4500K 6500K

All results are according to IESNA LM-79-2008. Approved Method for the Electrical and Photometric Testing of Solid-State Lighting. The U.S. Department of Energy (DOE) verifies product test data and results.

Visit www.lightingfacts.com for the Label Reference Guide.

Registration Number: -H5PUEW (8/14/15)
Model Number: AEILAL281-F-1X-177-UNI-5K
Type Luminaire: Area/Roadway

LM-79 Report Available.
DesignLights Consortium™ Qualified Luminaire.

LED lighting facts
A Program of the U.S. DOE

Light Output (Lumens)	25260
Watts	275.63
Lumens per Watt (Efficacy)	91.64

Color Accuracy
Color Rendering Index (CRI) 79

Light Color
Correlated Color Temperature (CCT) 5122 (Daylight)

2700K 3000K 4500K 6500K

All results are according to IESNA LM-79-2008. Approved Method for the Electrical and Photometric Testing of Solid-State Lighting. The U.S. Department of Energy (DOE) verifies product test data and results.

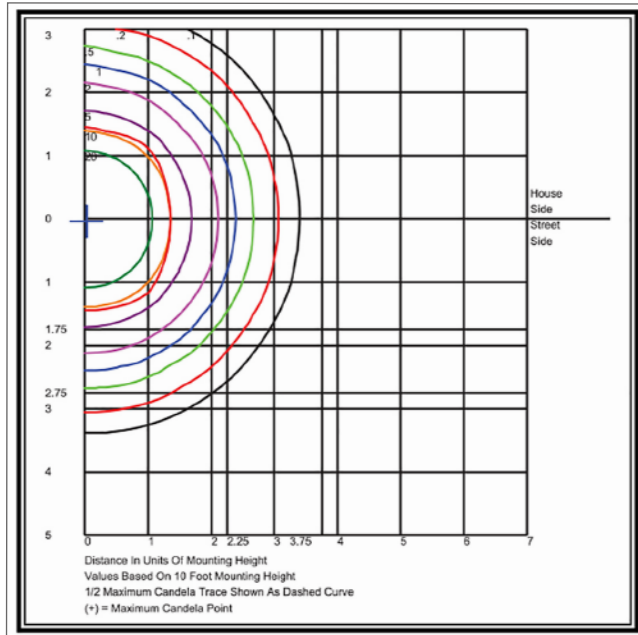
Visit www.lightingfacts.com for the Label Reference Guide.

Registration Number: -31KFY8 (8/14/15)
Model Number: AEILAL281-F-1X-281-UNI-5K
Type Luminaire: Area/Roadway

LM-79 Report Available.
DesignLights Consortium™ Qualified Luminaire.

ACCESSORIES

Model AEILAL281-F-1X-281-UNI-5K-CL



- KH45GLP**
- FL73BRZ (Shown Mounted)**
- ALMAAZ (Shown Mounted)**
- KH45YZ (Shown Mounted)**
- FL73SFZX (Shown Mounted)**
- KH45AZ (Shown Mounted)**
- ACCHSG1Z**
- PTSB1SZ**
- PTSB290SZ**
- PTSB2180SZ**
- KH40RP**
- P18130**
- P18131**
- PTSB390SZ***
- PTSB3120SZ***
- PTSB490SZ***
- P18132**
- P18140, P18142**
- P18150, P18152**

