



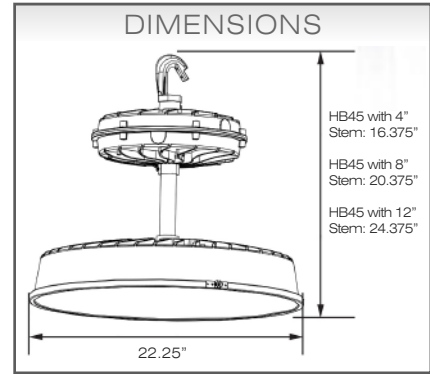
HB291 LED High Bay

MODEL# AEIHB291

JOB NAME

JOB NUMBER

DATE



SPECIFICATIONS

HOUSING

- Die Cast Aluminum Housing with External Heat Sinks for Cooler Operating Temperatures
- Textured Architectural Bronze Powdercoat Finish Over a Chromate Conversion Coating
- Includes 4", 8" and 12" stems. Maximum Stem Length is 30 feet

LENS

Flat Clear or Prismatic Glass Lens, Acrylic Drop Lens, Polycarbonate Drop Lens or Acrylic Conical Lens

WATTAGE

Array: 275.4W, System: 291W

MOUNTING

Mount with Included 1-inch Malleable Hook

APPLICATIONS

- Moist & Damp Environments
- Food Processing Environments
- Warehouse & Distribution Centers
- Most Industrial Facilities

OPTIONS

- Surge Protection
- Custom Colors Available Upon Request

LumaFit LED

- Array Lumens: 32,060
- Delivered Lumens:
 - Clear Glass - 27,382
 - Prismatic Glass - 22,913
 - Conical Lens - 27,542
 - Acrylic Drop Lens - 26,578
- CRI: 72
- CCT: 5000K
- Rated Life: 50,000 Hours
- 5-Year Warranty
- Aluminum Boards

DRIVER

- Electronic Driver 120-277V, 50/60Hz or 347/480V, 50/60Hz
- Dimmable Driver

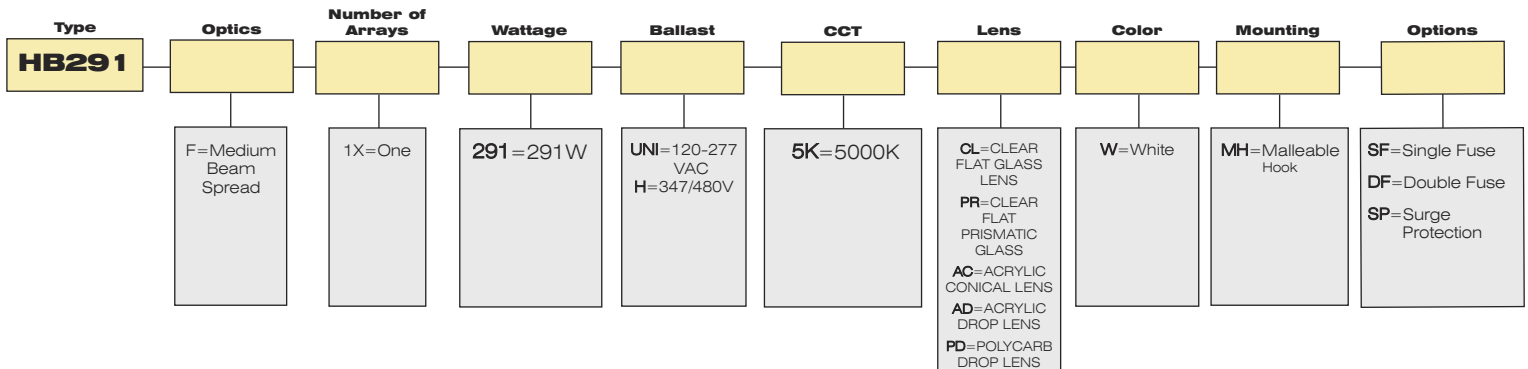
LISTING & RATINGS

- CSA: Listed for Damp Locations (Lens Gasket Required)
- IP54
- LM-79 Report Available on Select Models



ORDERING GUIDE

Ordering Example: HB291-F-1X-291-UNI-5K-CL-W-MH-DF



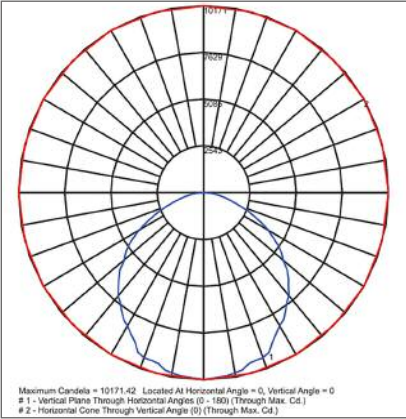


HB291 LED Area Light

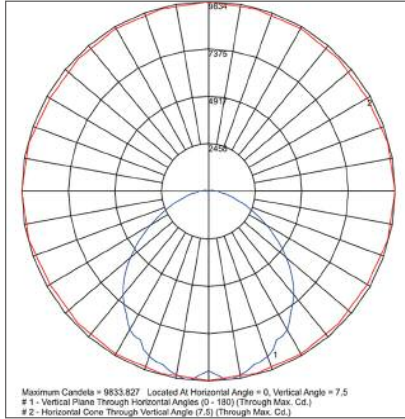
MODEL# AEIHB291

PHOTOMETRY

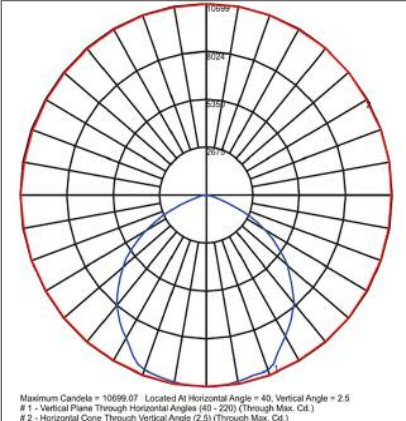
Model AEIHB291-F-1X-291-UNI-5K-AC



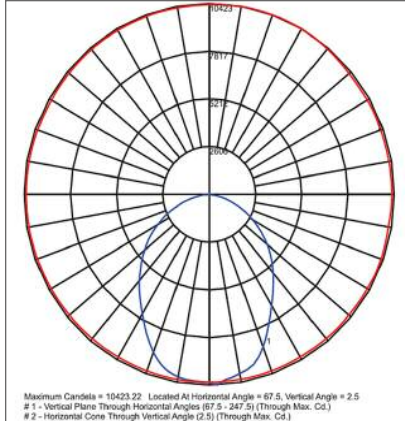
Model AEIHB291-F-1X-291-UNI-5K-AD



Model AEIHB291-F-1X-291-UNI-5K-CL



Model AEIHB291-F-1X-291-UNI-5K-PR



LIGHTING FACTS

LED lighting facts
 A Program of the U.S. DOE

Light Output (Lumens)	27880
Watts	296.32
Lumens per Watt (Efficacy)	94.08

Color Accuracy Color Rendering Index (CRI)	73
---	----

Light Color
Correlated Color Temperature (CCT) 5129 (Daylight)

2700K 3000K 4500K 6500K

All results are according to IESNA LM-79-2008: Approved Method for the Electrical and Photometric Testing of Solid-State Lighting. The U.S. Department of Energy (DOE) verifies product test data and results.

Visit www.lightingfacts.com for the Label Reference Guide.

Registration Number: -CPR4ME (11/18/2014)
 Model Number: HB291-F-1X-291-UNI-5K-CL
 Type: Luminaire - Other

LM-79 Report Available.
 DesignLights Consortium™ Qualified Luminaire.

ACCESSORIES

HBDL22, HBPC22 **HBCL22** **HBAR22WG** **CPMH3** **CPCS1633P120** **CPCS1633P240**
HBGL22, HBGL22P **HBCB22** **CPCS1633** **CPCS1633P110** **CPCS1633P277**

