



BOX62 LED Area Light

MODEL# AEIBOX62



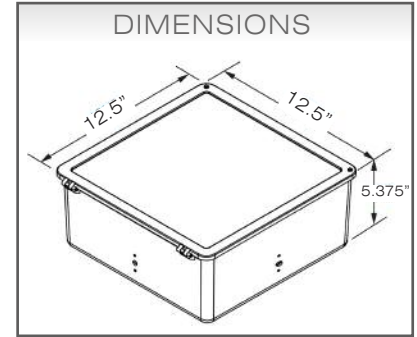
JOB NAME

JOB NUMBER

DATE



Shown with Extruded Mounting Arm & Pole



SPECIFICATIONS

HOUSING

- Die Cast Aluminum Housing & Hinged Front Frame
- 1/2" Coin Plugs for Conduit & Photocell
- Textured Architectural Bronze Powdercoat Finish Over a Chromate Conversion Coating

LENS

Clear Flat Glass Lens or Clear Flat Prismatic Glass Lens

MOUNTING

- Mount with Two-Piece Swivel Bracket
- Adjustable Slipfitter
- 6", 10" or 12" Extruded Mounting Arm

APPLICATIONS

- All Outdoor Areas
- Moist & Damp Environments
- Parking Lots & Garages
- Office Park & Campus Walkways

OPTIONS

- Surge Protection
- Custom Colors Available Upon Request

LumaFit LED

- Array Lumens: 5338 (F Optic)
- Delivered Lumens: 5023 (F, Clear)
- CRI: 73
- CCT: 5000K
- Rated Life: 50,000 Hours
- 5-Year Warranty
- Aluminum Boards

WATTAGE

- Array: 55.8W, System: 62W

DRIVER

- Electronic Driver 120-277V, 50/60Hz or 347/480V, 50/60Hz
- Dimmable Driver

LISTING & RATINGS

CSA: Listed for Wet Locations
LM-79 Report Available on Select Models



ORDERING GUIDE

Ordering Example: BOX62-F-1X-62-UNI-5K-CL-Z-EM6-SP

Type	Optics	Number of Arrays	Wattage	Ballast	CCT	Lens	Color	Mounting	Options
BOX62									
	C = Type 3 F=Medium Beam Spread	1X=One	62=62W	UNI=120-277 VAC H=347/480V	5K=5000K	CL=CLEAR FLAT GLASS LENS PR=CLEAR FLAT PRISMATIC GLASS LENS* *Use with F Optic Only	Z=Bronze	BR=Two-piece swivel bracket SF=Slipfitter LY=Large Yoke EM6*=6" Alum Mounting Arm EM10*=10" Alum Mounting Arm EM12*=12" Alum Mounting Arm *Add R for round mounting pole. Fits 4" diameter pole.	SF=Single Fuse DF=Double Fuse SP=Surge Protection P40=P18140 110-120VAC Instant P42=P18142 110-277VAC Instant P50=P18150 120VAC Time Delay P52=P18152 277VAC Time Delay



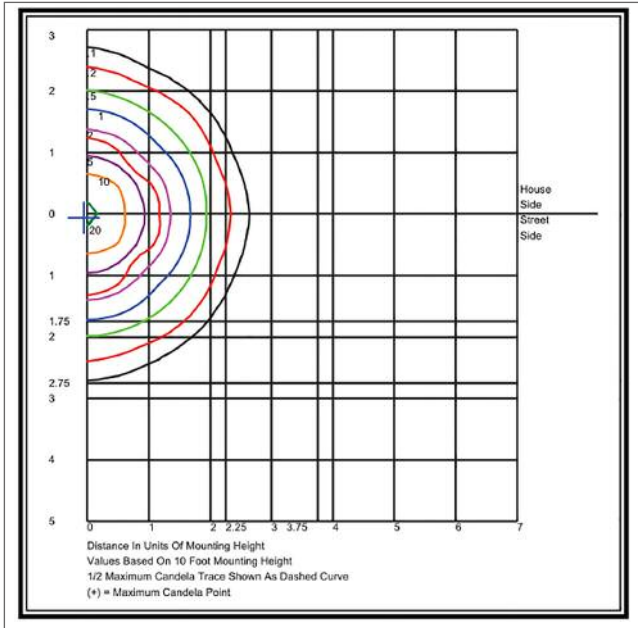
BOX62 LED Area Light

MODEL# AEIBOX62



PHOTOMETRY

Model AEIBOX62-F-1x-62-UNI-5K-CL (62W)



LIGHTING FACTS

LED lighting facts
A Program of the U.S. DOE

Light Output (Lumens)	5080
Watts	61.293
Lumens per Watt (Efficacy)	82.88
Color Accuracy Color Rendering Index (CRI)	72
Light Color Correlated Color Temperature (CCT)	5115 (Daylight)

Light Color scale: Warm White (2700K), Bright White (3000K), Daylight (4500K to 6500K). An arrow points to 5115 (Daylight) on the scale.

All results are according to IESNA LM-79-2008: Approved Method for the Electrical and Photometric Testing of Solid-State Lighting. The U.S. Department of Energy (DOE) verifies product test data and results.

Visit www.lightingfacts.com for the Label Reference Guide.

Registration Number: -WCJ524 (2/27/2015)
Model AEIBOX62-F-1x-62-UNI-5K-CL (62W)
Type: Luminaire - Area/Roadway

LM-79 Report Available.
DesignLights Consortium™ Qualified Luminaire.

ACCESSORIES

