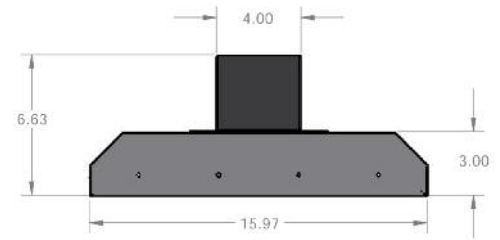
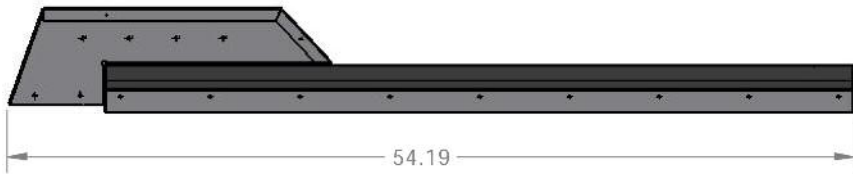
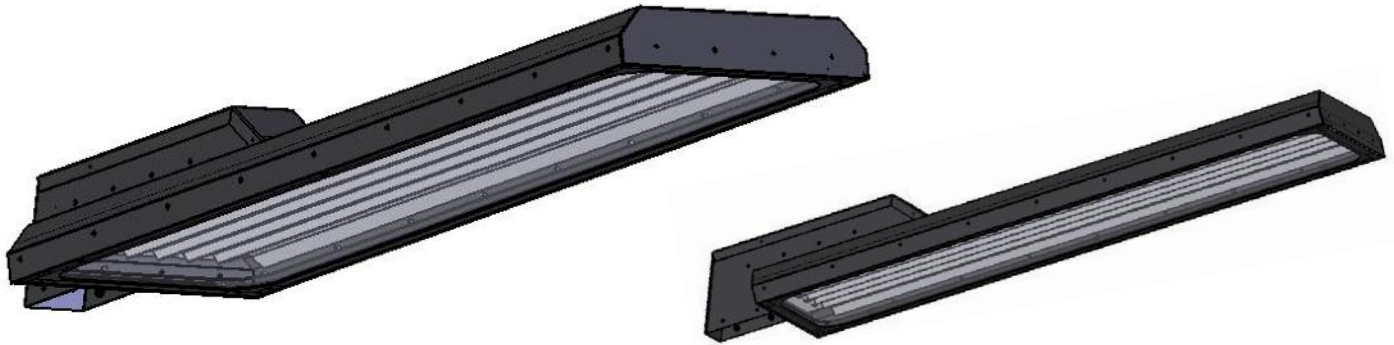


The AEI T5 SITEMAX XRT Series is perfect for a variety of pole-, end-, center- or wall-mounted applications. With high lumen output, the SITEMAX XRT Series provides excellent illumination for a safe and comfortable exterior environment. The XRT offers unparalleled energy savings, making them perfect for replacing traditional wall, site, area and street lighting sources.

SITEMAX XRT Series 2x4

5- or 6-LAMP FIXTURE/END MOUNT



Note: when installing SiteMax with the "ADJ" adjustable slip fit mount, do not aim above 20 degrees of horizontal.

FEATURES

- Proudly Made in the U.S.A.
- Made to accommodate many project application dimensions
- Wattage: 2L=110W; 3L=175W; 4L=220W 5L=270W and 6L=345W
- 5-Year Warranty on all fixture components

ELECTRICAL

- Universal input voltage 90-305 VAC, with an option for 347 or 480 VAC
- Instant restrike with emergency or restored power

HOUSING

- All-aluminum body for heat management
- Housing and Lens are IP65 Certified
- Recessed, surface canopy, wall mount and box-style housing options available. Contact AEI for details.

LENS & OPTICAL

- 100% impact modified polycarbonate lens or tempered glass withstands wear & tear
- IP-65 Certified lens available in clear or frosted
- CCT: 5000K Package Standard. Lamps ship installed with 30, 35, 41 and 65K colors available
- CRI: 80+
- Lamp Life Rating: 35,000 hours. Over 3X that of 250W MH & 2X that of most horizontal 400W MH lamps
- Flat lens and recessed lamps for full cut-off Dark-Sky applications
- Lamps maintain 95% initial light levels over life with uniform distribution
- Longer lamp life than HID

OPTIONS

- Available with various mounting options
- Available in multiple colors and finishes
- Also available in Induction, CMA and CFL for a wide variety of site lighting requirements
- Add new poles or convert existing
- Photocell, occupation sensor, integration and control system options available
- Cutoff optional diffuser for softer light
- Consult your rep or AEI Factory regarding other styles of energy-saving site fixtures now available from AEI Lighting

APPLICATIONS

- Municipal Roadways, Streets & Bridgeways
- Office Parks & Commercial Exteriors
- Retail Frontage, Parking Lots & Site/Area
- Education Campuses

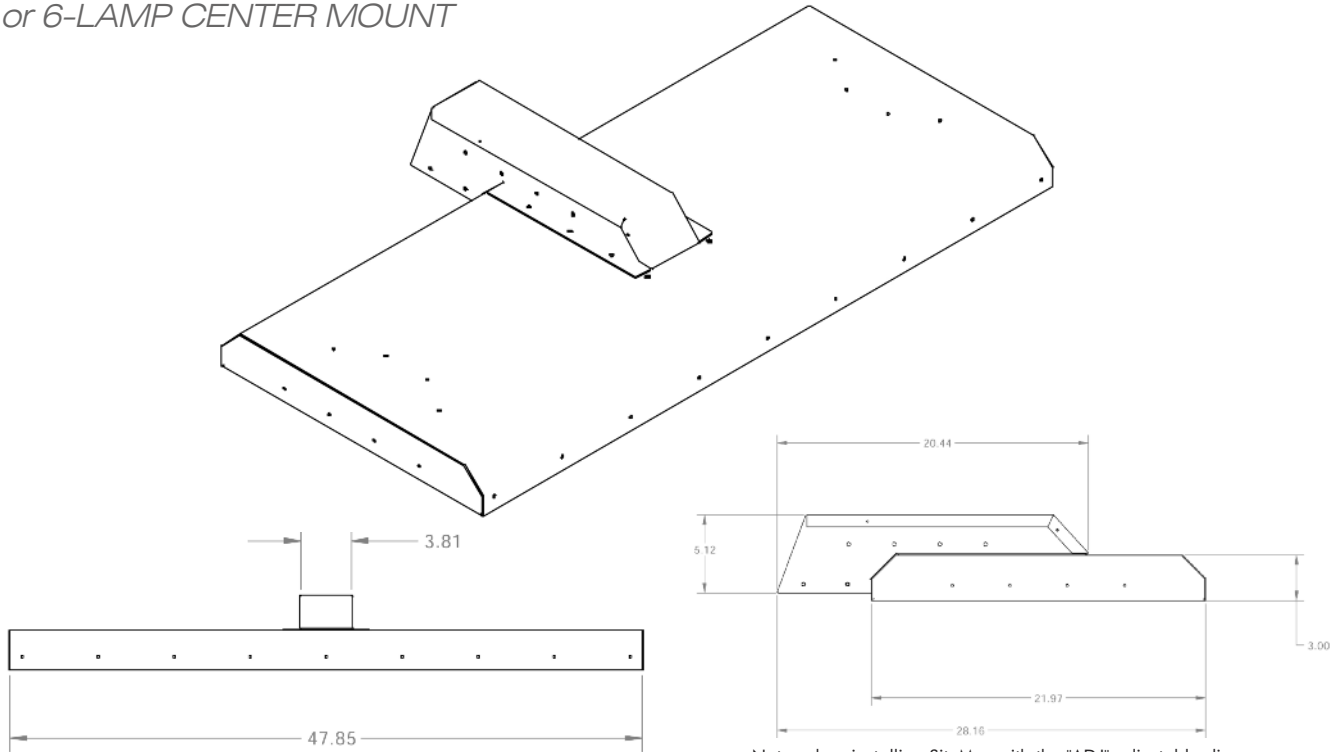


AEI T5/T5HO SITEMAX XRT Series 2x4 FLUORESCENT SITE & STREET LIGHTING

The AEI T5 SITEMAX XRT Series is perfect for a variety of pole-, end-, center- or wall-mounted applications. With high lumen output, the SITEMAX XRT Series provides excellent illumination for a safe and comfortable exterior environment. The XRT offers unparalleled energy savings, making them perfect for replacing traditional wall, site, area and street lighting sources.

SITEMAX XRT Series 2x4

5- or 6-LAMP CENTER MOUNT



Note: when installing SiteMax with the "ADJ" adjustable slip fit mount, do not aim above 20 degrees of horizontal.

FEATURES

- Proudly Made in the U.S.A.
- Made to accommodate many project application dimensions
- Wattage: 2L=110W; 3L=175W; 4L=220W 5L=270W and 6L=345W
- 5-Year Warranty on all fixture components

ELECTRICAL

- Universal input voltage 90-305 VAC, with an option for 347 or 480 VAC
- Instant restrike with emergency or restored power

HOUSING

- All-aluminum body for heat management
- Housing and Lens are IP65 Certified
- Recessed, surface canopy, wall mount and box-style housing options available. Contact AEI for details.

LENS & OPTICAL

- 100% impact modified polycarbonate lens or tempered glass withstands wear & tear
- IP-65 Certified lens available in clear or frosted
- CCT: 5000K Package Standard. Lamps ship installed with 30, 35, 41 and 65K colors available
- CRI: 80+
- Lamp Life Rating: 35,000 hours. Over 3X that of 250W MH & 2X that of most horizontal 400W MH lamps
- Flat lens and recessed lamps for full cut-off Dark-Sky applications
- Lamps maintain 95% initial light levels over life with uniform distribution
- Longer lamp life than HID

OPTIONS

- Available with various mounting options
- Available in multiple colors and finishes
- Also available in Induction, CMA and CFL for a wide variety of site lighting requirements
- Add new poles or convert existing
- Photocell, occupation sensor, integration and control system options available
- Cutoff optional diffuser for softer light
- Consult your rep or AEI Factory regarding other styles of energy-saving site fixtures now available from AEI Lighting

APPLICATIONS

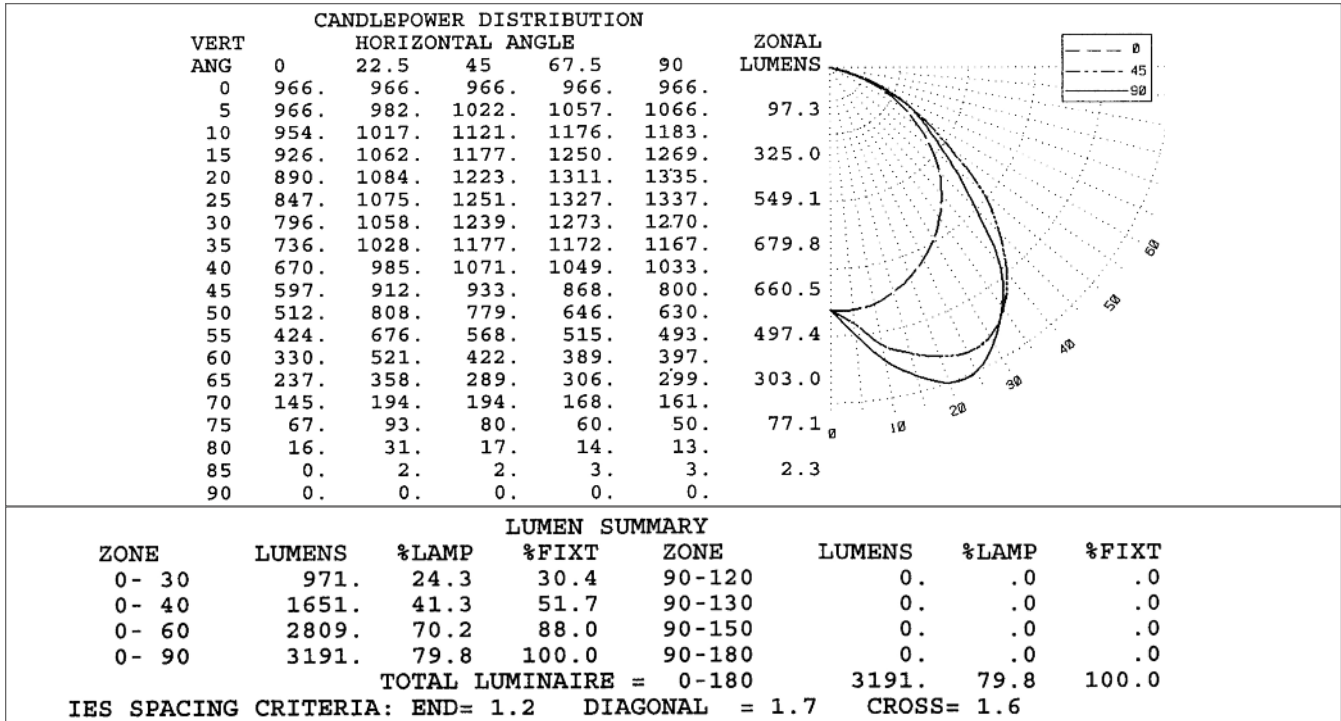
- Municipal Roadways, Streets & Bridgeways
- Office Parks & Commercial Exteriors
- Retail Frontage, Parking Lots & Site/Area
- Education Campuses



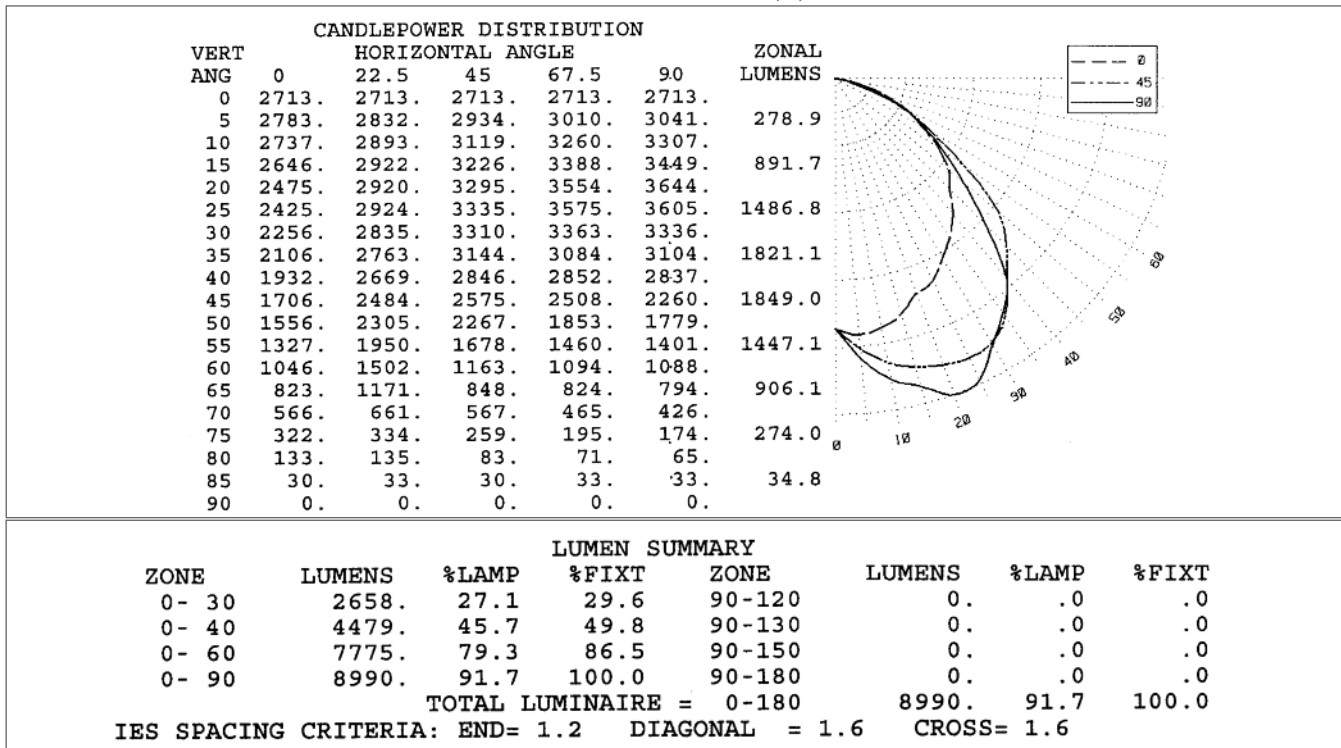
AEI LIGHTING

PHOTOMETRY

1x2 SITEMAX GASKETED LUMINAIRE WITH TWO (2) 24W T5HO LAMPS, WATTS=51



1x4 SITEMAX GASKETED LUMINAIRE WITH TWO (2) 54W T5HO LAMPS, WATTS=116

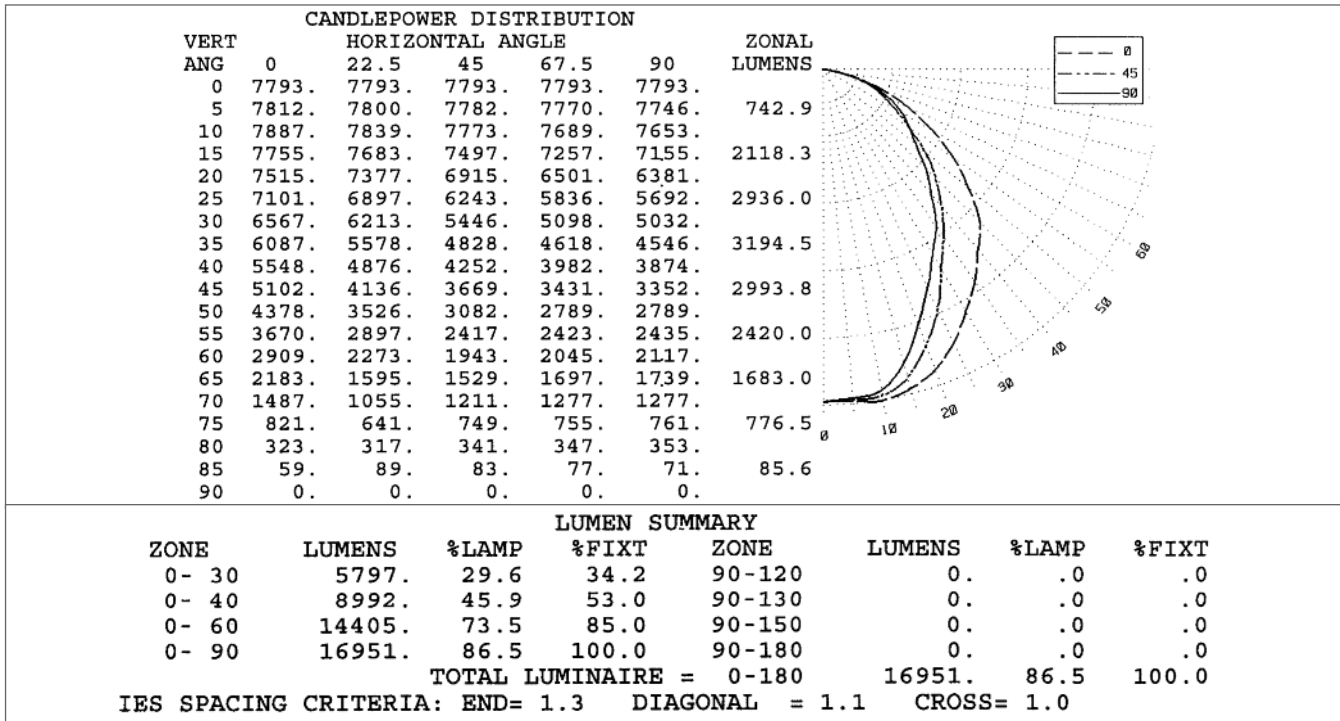


Note: when installing SiteMax with the "ADJ" adjustable slip fit mount, do not aim above 20 degrees of horizontal.

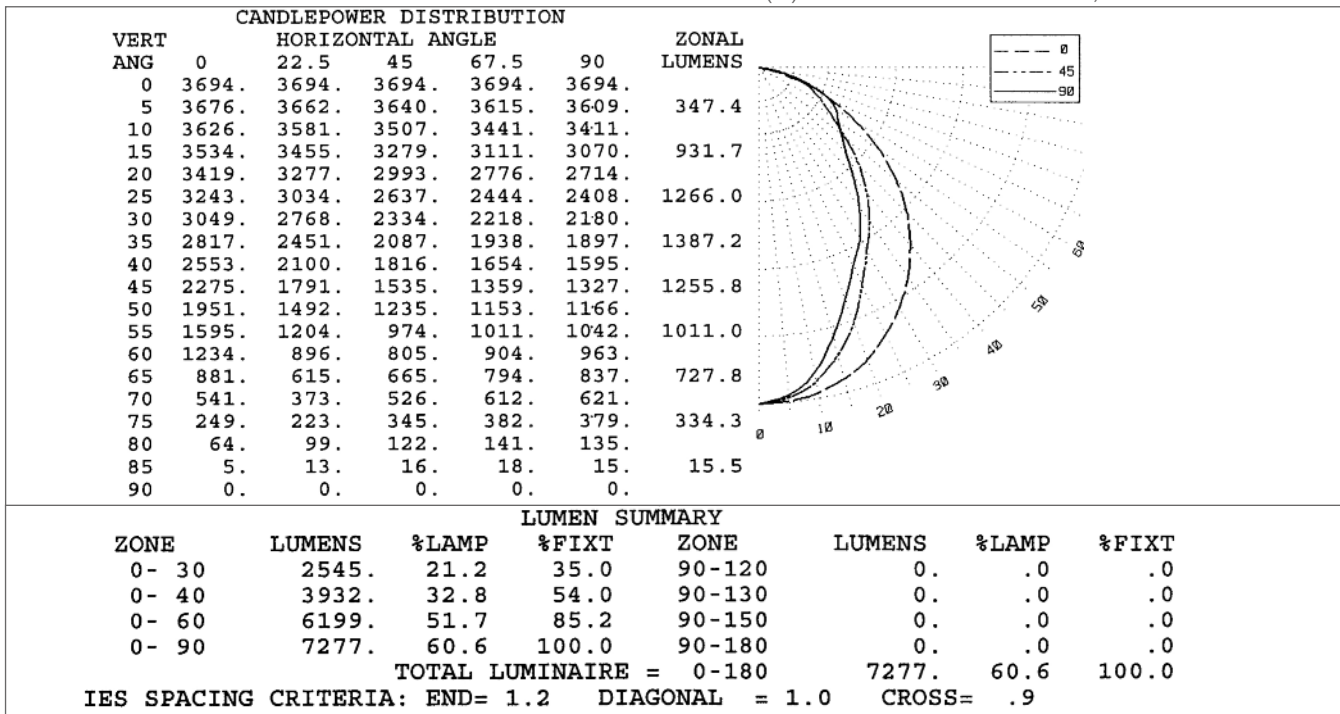


PHOTOMETRY

1x4 SITEMAX GASKETED LUMINAIRE WITH FOUR (4) 54W T5HO LAMPS, WATTS=227



2x4 SITEMAX GASKETED LUMINAIRE WITH SIX (6) 24W T5HO LAMPS, WATTS=135



Note: when installing SiteMax with the "ADJ" adjustable slip fit mount, do not aim above 20 degrees of horizontal.



AEI LIGHTING

SITEMAX XRT Series

SITE & STREET LIGHTING

AEI T5/T5HO SITEMAX XRT Series

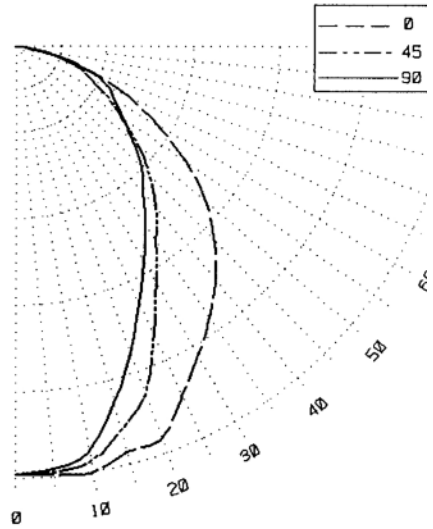
FLUORESCENT SITE & STREET LIGHTING

PHOTOMETRY

2x4 SITEMAX GASKETED LUMINAIRE WITH SIX (6) 54W T5HO LAMPS, WATTS=328

CANDLEPOWER DISTRIBUTION

VERT ANG	HORIZONTAL ANGLE					ZONAL LUMENS
	0	22.5	45	67.5	90	
0	12853.	12853.	12853.	12853.	12853.	1225.1
5	12914.	12876.	12838.	12793.	12743.	3371.1
10	12996.	12888.	12660.	12469.	12361.	4567.6
15	12590.	12387.	11949.	11390.	11098.	4870.3
20	12539.	12152.	11124.	10109.	9823.	4658.1
25	11600.	11086.	9556.	8763.	8535.	3794.1
30	10743.	9924.	8217.	7538.	7475.	2718.4
35	9956.	8770.	7158.	6802.	6606.	1382.4
40	9157.	7545.	6383.	5927.	5781.	163.0
45	8258.	6528.	5526.	5275.	5202.	
50	7291.	5438.	4664.	4416.	4442.	
55	6117.	4391.	3737.	3826.	3807.	
60	4810.	3382.	3077.	3185.	3325.	
65	3629.	2430.	2405.	2817.	2976.	
70	2449.	1637.	1960.	2290.	2360.	
75	1345.	1008.	1345.	1453.	1497.	
80	533.	539.	647.	666.	659.	
85	101.	158.	152.	158.	158.	
90	0.	0.	0.	0.	0.	



LUMEN SUMMARY

ZONE	LUMENS	%LAMP	%FIXT	ZONE	LUMENS	%LAMP	%FIXT
0- 30	2545.	21.2	35.0	90-120	0.	.0	.0
0- 40	3932.	32.8	54.0	90-130	0.	.0	.0
0- 60	6199.	51.7	85.2	90-150	0.	.0	.0
0- 90	7277.	60.6	100.0	90-180	0.	.0	.0
TOTAL LUMINAIRE = 0-180					7277.	60.6	100.0
IES SPACING CRITERIA: END= 1.2					DIAGONAL = 1.0	CROSS= .9	

ORDERING GUIDE

Series	Length	Lamps	Model/Wattage	Lens Type	Voltage	CCT/Lamp Color	Mounting	Options
XRT								
	LENGTH 2 = 2 Foot 4 = 4 Foot	LAMPS 2 = 2 Lamp 3 = 3 Lamp 4 = 4 Lamp 5 = 5 Lamp 6 = 6 Lamp	MODEL / WATTAGE 24 = 24-Watt 54 = 54-Watt 49 = 49-Watt (Reduced Wattage)	LENS TYPE TG = TEMPERED GLASS PC = POLYCARBONATE Consult Factory For Other Options	VOLTAGE UNI=120V-277V 34=347V 48=480 V	CCT/LAMP COLOR 35=3500K 41=4000K 50=5000K Leave Blank If No Lamps Consult Factory For Custom Applications and Ordering Number	MOUNTING FM=FIXTURE MOUNT END WM=WALL MOUNT CM=CENTER MOUNT 20DEG=20 DEGREE TILT ADJ=ADJUSTABLE KNUCKLE TT=TENON TOP MOUNT TR=TRUNION MOUNT	SENSORS OC=Occupancy Sensor Consult Factory For Sensor Options PHOTO CELL P1=Photo Cell 120V P2=Photo Cell 277V REC=Photo Cell Receptacle Consult Factory For More Options COLORS The Standard Color is BRONZE Consult Factory For More Options

5-YEAR LIMITED WARRANTY
VISIT AEILighting.com for Details
480-733-6594



Note: when installing SiteMax with the "ADJ" adjustable slip fit mount, do not aim above 20 degrees of horizontal.

