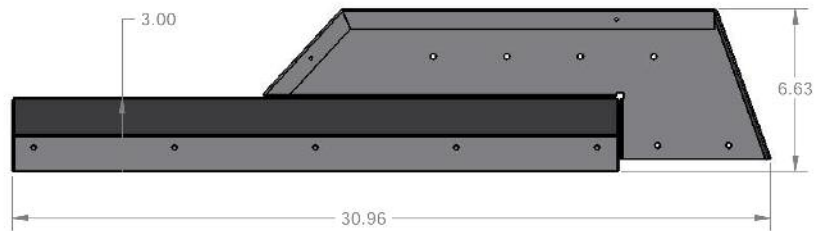
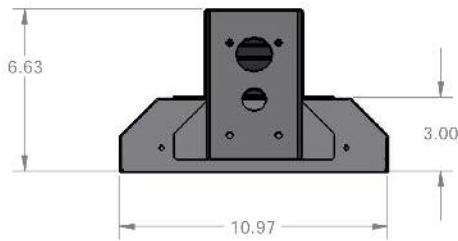
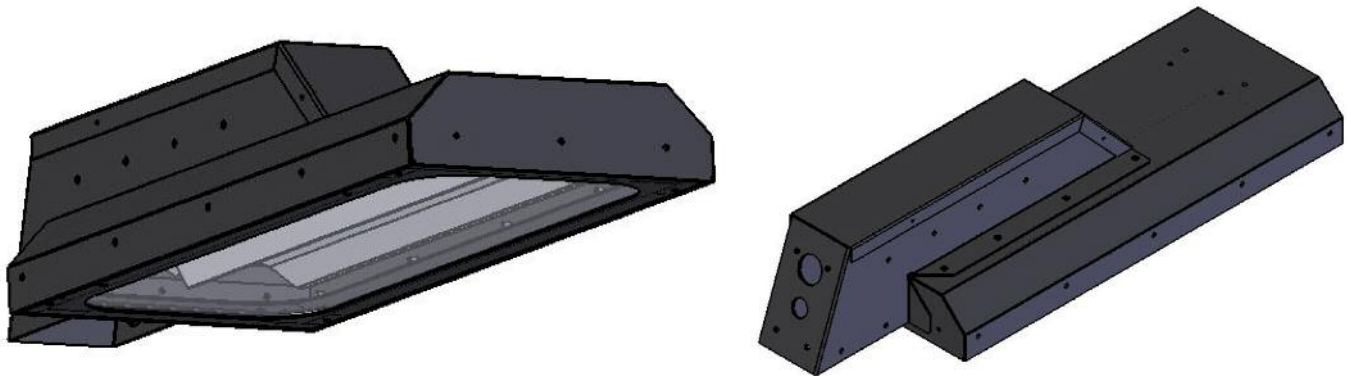


The AEI T5 SITEMAX XRT Series is perfect for a variety of pole-, end-, center- or wall-mounted applications. With high lumen output, the SITEMAX XRT Series provides excellent illumination for a safe and comfortable exterior environment. The XRT offers unparalleled energy savings, making them perfect for replacing traditional wall, site, area and street lighting sources.

SITEMAX XRT Series 1x2

2-LAMP FIXTURE / END MOUNT



Note: when installing SiteMax with the "ADJ" adjustable slip fit mount, do not aim above 20 degrees of horizontal.

FEATURES

- Proudly Made in the U.S.A.
- Made to accommodate many project application dimensions
- Wattage: 2L=110W; 3L=175W; 4L=220W
5L=270W and 6L=345W
- 5-Year Warranty on all fixture components

ELECTRICAL

- Universal input voltage 90-305 VAC, with an option for 347 or 480 VAC
- Instant restrike with emergency or restored power

HOUSING

- All-aluminum body for heat management
- Housing and Lens are IP65 Certified
- Recessed, surface canopy, wall mount and box-style housing options available. Contact AEI for details.

LENS & OPTICAL

- 100% impact modified polycarbonate lens or tempered glass withstands wear & tear
- IP-65 Certified lens available in clear or frosted
- CCT: 5000K Package Standard. Lamps ship installed with 30, 35, 41 and 65K colors available
- CRI: 80+
- Lamp Life Rating: 35,000 hours. Over 3X that of 250W MH & 2X that of most horizontal 400W MH lamps
- Flat lens and recessed lamps for full cut-off Dark-Sky applications
- Lamps maintain 95% initial light levels over life with uniform distribution
- Longer lamp life than HID

OPTIONS

- Available with various mounting options
- Available in multiple colors and finishes
- Also available in Induction, CMA and CFL for a wide variety of site lighting requirements
- Add new poles or convert existing
- Photocell, occupation sensor, integration and control system options available
- Cutoff optional diffuser for softer light
- Consult your rep or AEI Factory regarding other styles of energy-saving site fixtures now available from AEI Lighting

APPLICATIONS

- Municipal Roadways, Streets & Bridgeways
- Office Parks & Commercial Exteriors
- Retail Frontage, Parking Lots & Site/Area
- Education Campuses

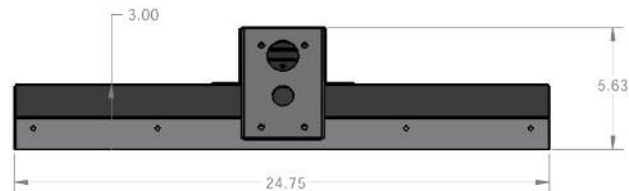
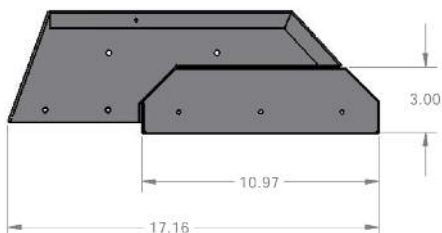
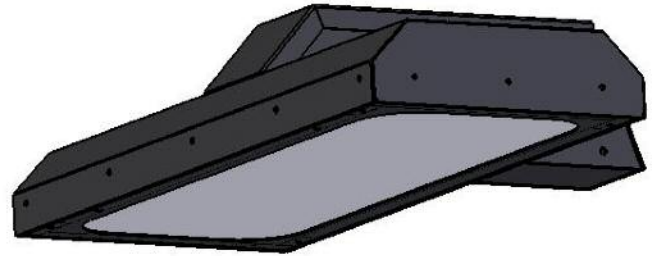
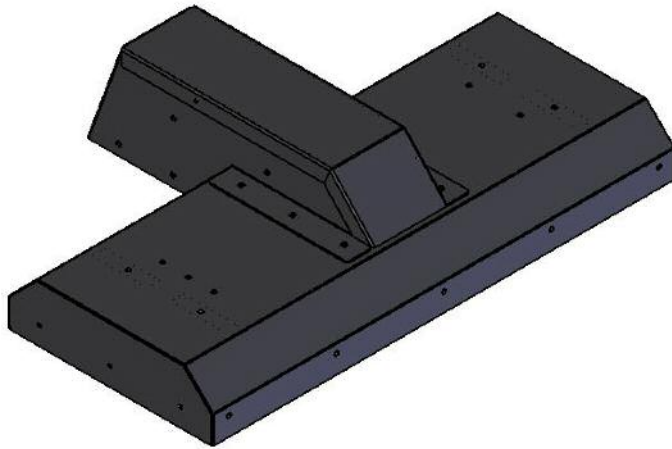


AEI LIGHTING

The AEI T5 SITEMAX XRT Series is perfect for a variety of pole-, end-, center- or wall-mounted applications. With high lumen output, the SITEMAX XRT Series provides excellent illumination for a safe and comfortable exterior environment. The XRT offers unparalleled energy savings, making them perfect for replacing traditional wall, site, area and street lighting sources.

SITEMAX XRT Series 1x2

2-LAMP CENTER MOUNT



Note: when installing SiteMax with the "ADJ" adjustable slip fit mount, do not aim above 20 degrees of horizontal.

FEATURES

- Proudly Made in the U.S.A.
- Made to accommodate many project application dimensions
- Wattage: 2L=110W; 3L=175W; 4L=220W
5L=270W and 6L=345W
- 5-Year Warranty on all fixture components

ELECTRICAL

- Universal input voltage 90-305 VAC, with an option for 347 or 480 VAC
- Instant restrike with emergency or restored power

HOUSING

- All-aluminum body for heat management
- Housing and Lens are IP65 Certified
- Recessed, surface canopy, wall mount and box-style housing options available. Contact AEI for details.

LENS & OPTICAL

- 100% impact modified polycarbonate lens or tempered glass withstands wear & tear
- IP-65 Certified lens available in clear or frosted
- CCT: 5000K Package Standard. Lamps ship installed with 30, 35, 41 and 65K colors available
- CRI: 80+
- Lamp Life Rating: 35,000 hours. Over 3X that of 250W MH & 2X that of most horizontal 400W MH lamps
- Flat lens and recessed lamps for full cut-off Dark-Sky applications
- Lamps maintain 95% initial light levels over life with uniform distribution
- Longer lamp life than HID

OPTIONS

- Available with various mounting options
- Available in multiple colors and finishes
- Also available in Induction, CMA and CFL for a wide variety of site lighting requirements
- Add new poles or convert existing
- Photocell, occupation sensor, integration and control system options available
- Cutoff optional diffuser for softer light
- Consult your rep or AEI Factory regarding other styles of energy-saving site fixtures now available from AEI Lighting

APPLICATIONS

- Municipal Roadways, Streets & Bridgeways
- Office Parks & Commercial Exteriors
- Retail Frontage, Parking Lots & Site/Area
- Education Campuses

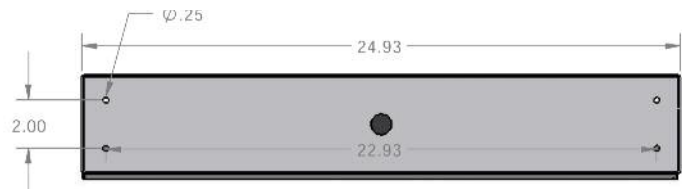
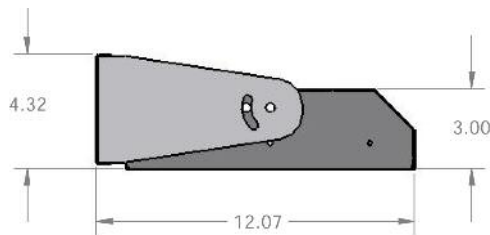
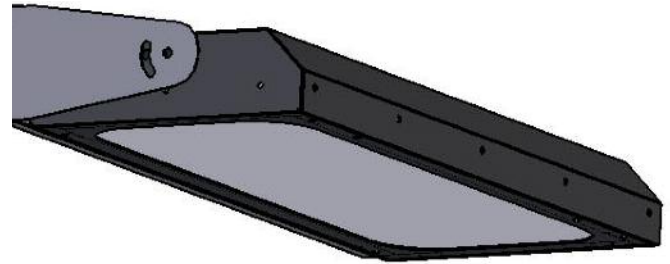
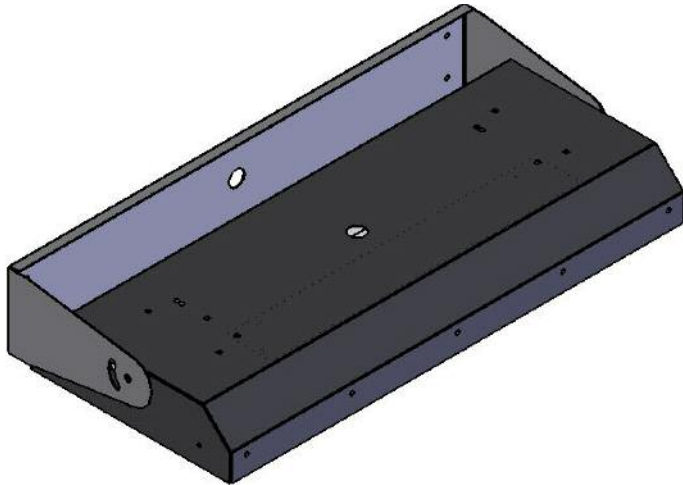


AEI LIGHTING

The AEI T5 SITEMAX XRT Series is perfect for a variety of pole-, end-, center- or wall-mounted applications. With high lumen output, the SITEMAX XRT Series provides excellent illumination for a safe and comfortable exterior environment. The XRT offers unparalleled energy savings, making them perfect for replacing traditional wall, site, area and street lighting sources.

SITEMAX XRT Series 1x2

2-LAMP WALL MOUNT



Note: when installing SiteMax with the "ADJ" adjustable slip fit mount, do not aim above 20 degrees of horizontal.

FEATURES

- Proudly Made in the U.S.A.
- Made to accommodate many project application dimensions
- Wattage: 2L=110W; 3L=175W; 4L=220W
5L=270W and 6L=345W
- 5-Year Warranty on all fixture components

ELECTRICAL

- Universal input voltage 90-305 VAC, with an option for 347 or 480 VAC
- Instant restrike with emergency or restored power

HOUSING

- All-aluminum body for heat management
- Housing and Lens are IP65 Certified
- Recessed, surface canopy, wall mount and box-style housing options available. Contact AEI for details.

LENS & OPTICAL

- 100% impact modified polycarbonate lens or tempered glass withstands wear & tear
- IP-65 Certified lens available in clear or frosted
- CCT: 5000K Package Standard. Lamps ship installed with 30, 35, 41 and 65K colors available
- CRI: 80+
- Lamp Life Rating: 35,000 hours. Over 3X that of 250W MH & 2X that of most horizontal 400W MH lamps
- Flat lens and recessed lamps for full cut-off Dark-Sky applications
- Lamps maintain 95% initial light levels over life with uniform distribution
- Longer lamp life than HID

OPTIONS

- Available with various mounting options
- Available in multiple colors and finishes
- Also available in Induction, CMA and CFL for a wide variety of site lighting requirements
- Add new poles or convert existing
- Photocell, occupation sensor, integration and control system options available
- Cutoff optional diffuser for softer light
- Consult your rep or AEI Factory regarding other styles of energy-saving site fixtures now available from AEI Lighting

APPLICATIONS

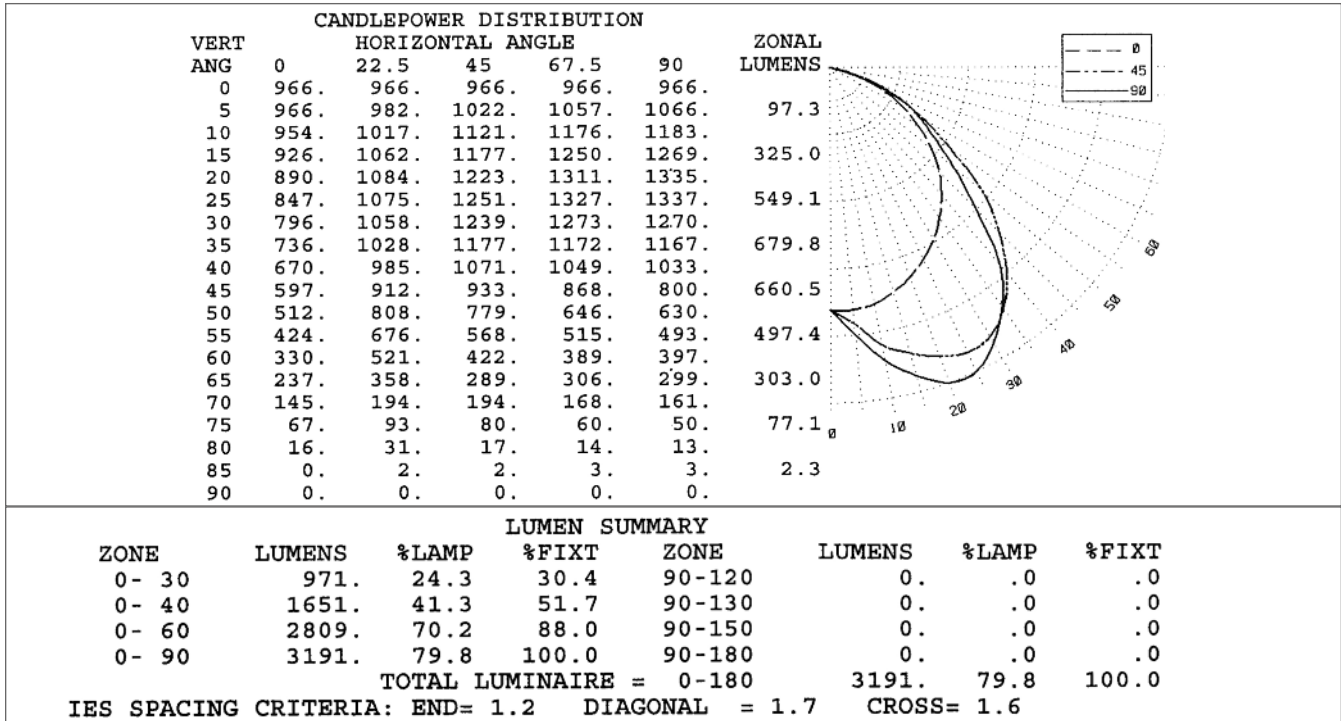
- Municipal Roadways, Streets & Bridgeways
- Office Parks & Commercial Exteriors
- Retail Frontage, Parking Lots & Site/Area
- Education Campuses



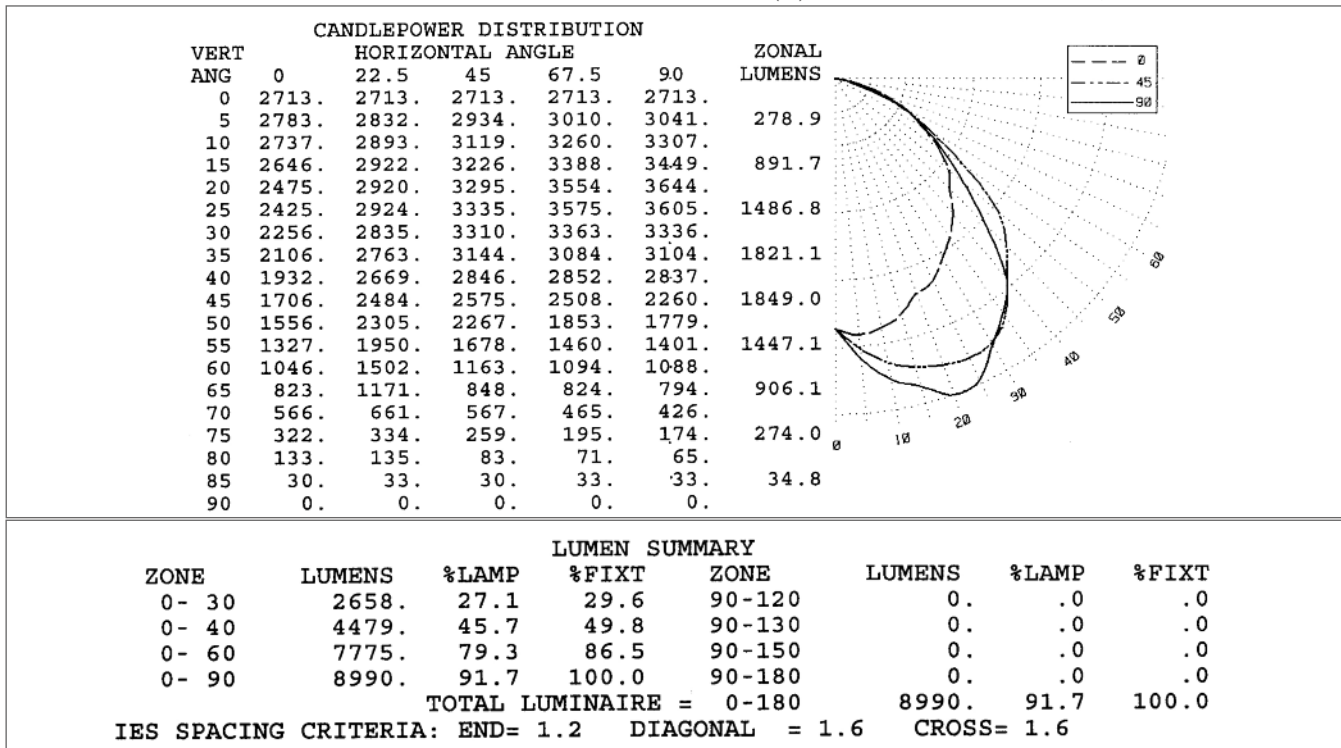
AEI LIGHTING

PHOTOMETRY

1x2 SITEMAX GASKETED LUMINAIRE WITH TWO (2) 24W T5HO LAMPS, WATTS=51



1x4 SITEMAX GASKETED LUMINAIRE WITH TWO (2) 54W T5HO LAMPS, WATTS=116

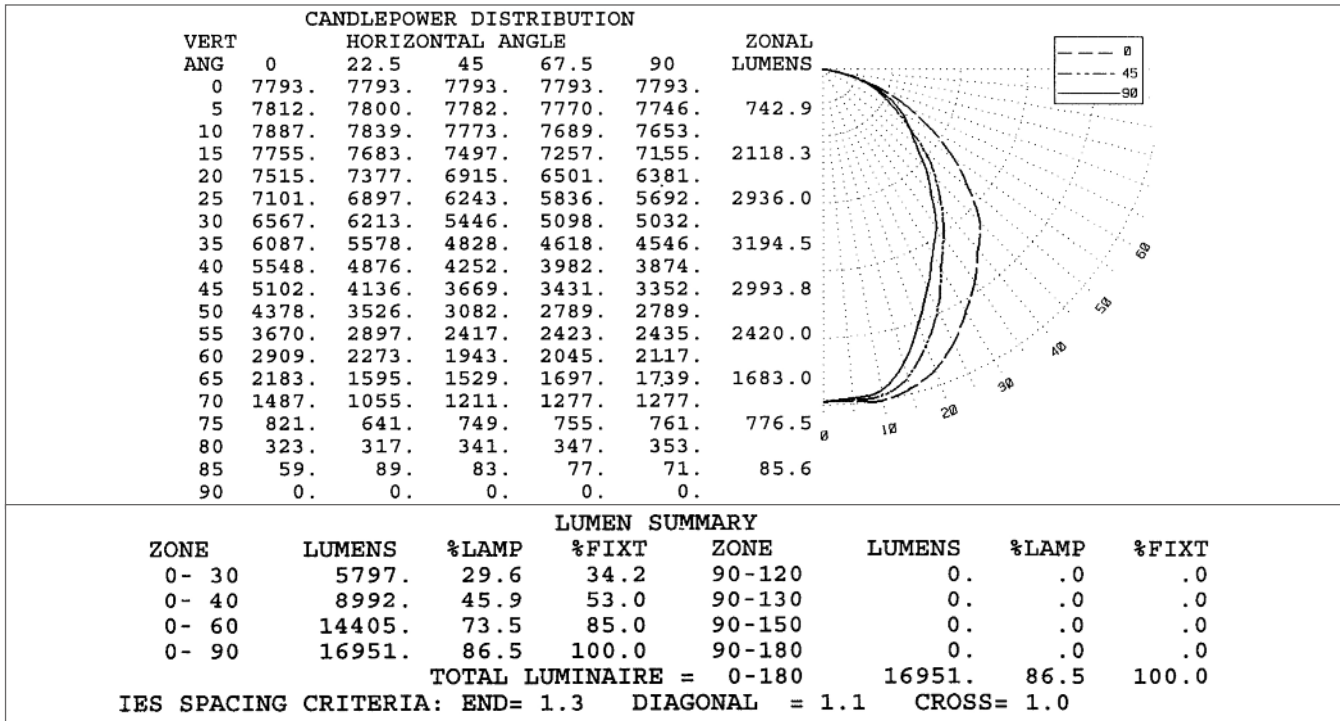


Note: when installing SiteMax with the "ADJ" adjustable slip fit mount, do not aim above 20 degrees of horizontal.

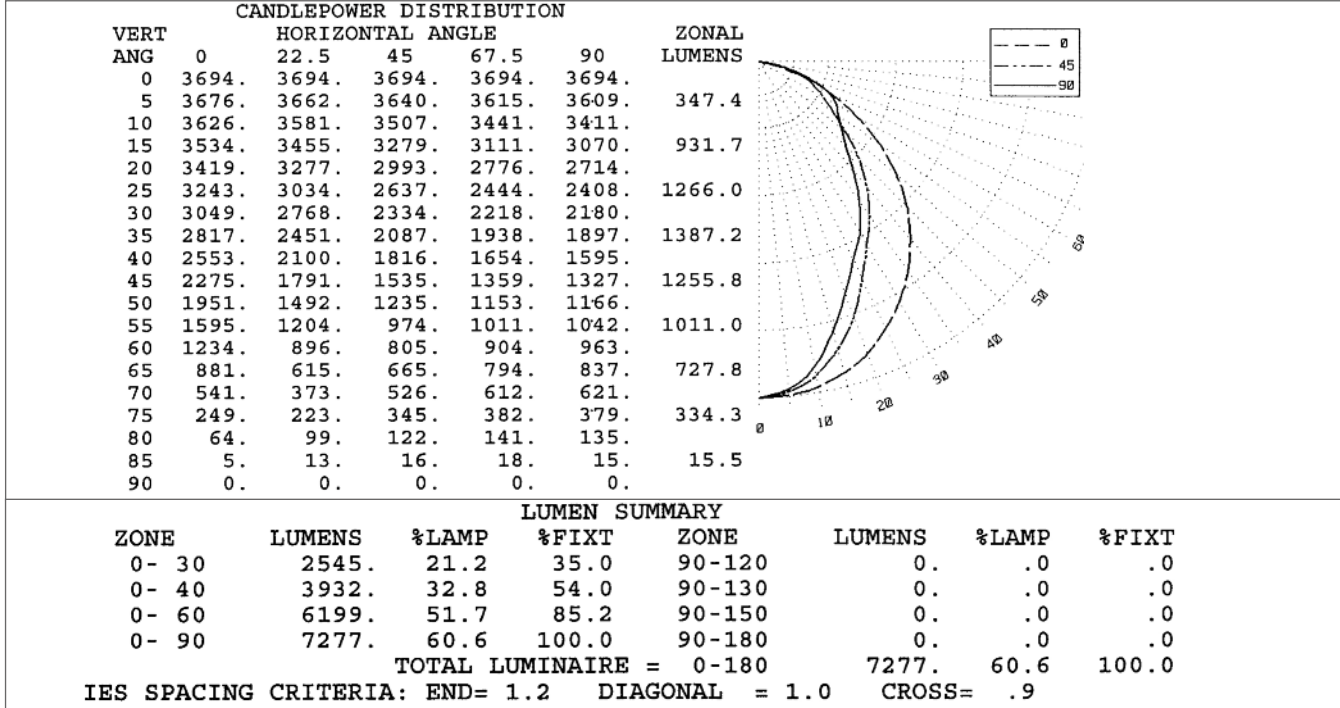


PHOTOMETRY

1x4 SITEMAX GASKETED LUMINAIRE WITH FOUR (4) 54W T5HO LAMPS, WATTS=227



2x4 SITEMAX GASKETED LUMINAIRE WITH SIX (6) 24W T5HO LAMPS, WATTS=135



Note: when installing SiteMax with the "ADJ" adjustable slip fit mount, do not aim above 20 degrees of horizontal.



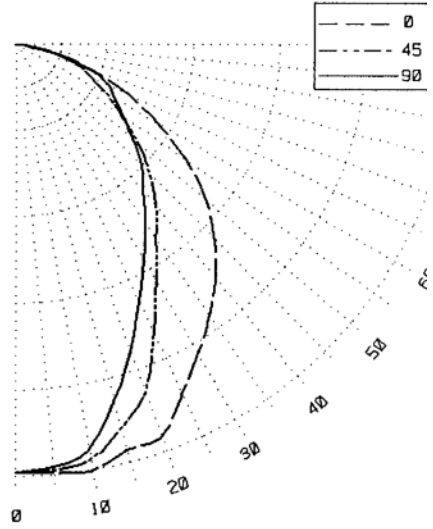
AEI LIGHTING

PHOTOMETRY

2x4 SITEMAX GASKETED LUMINAIRE WITH SIX (6) 54W T5HO LAMPS, WATTS=328

CANDLEPOWER DISTRIBUTION

VERT ANG	HORIZONTAL ANGLE					ZONAL LUMENS
	0	22.5	45	67.5	90	
0	12853.	12853.	12853.	12853.	12853.	
5	12914.	12876.	12838.	12793.	12743.	1225.1
10	12996.	12888.	12660.	12469.	12361.	
15	12590.	12387.	11949.	11390.	11098.	3371.1
20	12539.	12152.	11124.	10109.	9823.	
25	11600.	11086.	9556.	8763.	8535.	4567.6
30	10743.	9924.	8217.	7538.	7475.	
35	9956.	8770.	7158.	6802.	6606.	4870.3
40	9157.	7545.	6383.	5927.	5781.	
45	8258.	6528.	5526.	5275.	5202.	4658.1
50	7291.	5438.	4664.	4416.	4442.	
55	6117.	4391.	3737.	3826.	3807.	3794.1
60	4810.	3382.	3077.	3185.	3325.	
65	3629.	2430.	2405.	2817.	2976.	2718.4
70	2449.	1637.	1960.	2290.	2360.	
75	1345.	1008.	1345.	1453.	1497.	1382.4
80	533.	539.	647.	666.	659.	
85	101.	158.	152.	158.	158.	163.0
90	0.	0.	0.	0.	0.	



LUMEN SUMMARY

ZONE	LUMENS	%LAMP	%FIXT	ZONE	LUMENS	%LAMP	%FIXT
0- 30	2545.	21.2	35.0	90-120	0.	.0	.0
0- 40	3932.	32.8	54.0	90-130	0.	.0	.0
0- 60	6199.	51.7	85.2	90-150	0.	.0	.0
0- 90	7277.	60.6	100.0	90-180	0.	.0	.0
TOTAL LUMINAIRE = 0-180					7277.	60.6	100.0
IES SPACING CRITERIA: END= 1.2					DIAGONAL = 1.0	CROSS= .9	

ORDERING GUIDE

Series	Length	Lamps	Model/Wattage	Lens Type	Voltage	CCT/Lamp Color	Mounting	Options
XRT	<p>LENGTH</p> <p>2 = 2 Foot 4 = 4 Foot</p>	<p>LAMPS</p> <p>2 = 2 Lamp 3 = 3 Lamp 4 = 4 Lamp 5 = 5 Lamp 6 = 6 Lamp</p>	<p>MODEL / WATTAGE</p> <p>24=24-Watt 54=54-Watt 49=49-Watt (Reduced Wattage)</p>	<p>LENS TYPE</p> <p>TG=TEMPERED GLASS PC=POLYCARBONATE</p> <p>Consult Factory For Other Options</p>	<p>VOLTAGE</p> <p>UNI=120V/277V 34=347V 48=480 V</p>	<p>CCT/LAMP COLOR</p> <p>35=3500K 41=4000K 50=5000K</p> <p>Leave Blank If No Lamps Consult Factory For Custom Applications and Ordering Number</p>	<p>MOUNTING</p> <p>FM=FIXTURE MOUNT END WM=WALL MOUNT CM=CENTER MOUNT 20DEG=20 DEGREE TILT ADJ=ADJUSTABLE KNUCKLE** TT=TENON TOP MOUNT TR=TRUNION MOUNT</p>	<p>SENSORS</p> <p>OC=Occupancy Sensor Consult Factory For Sensor Options</p> <p>PHOTO CELL</p> <p>P1=Photo Cell 120V P2=Photo Cell 277V REC=Photo Cell Receptacle Consult Factory For More Options</p> <p>COLORS</p> <p>The Standard Color Is BRONZE Consult Factory For More Options</p>

5-YEAR LIMITED WARRANTY
VISIT AEILighting.com for Details
480-733-6594

**Note: when installing SiteMax with the "ADJ" adjustable slip fit mount, do not aim above 20 degrees of horizontal.

