

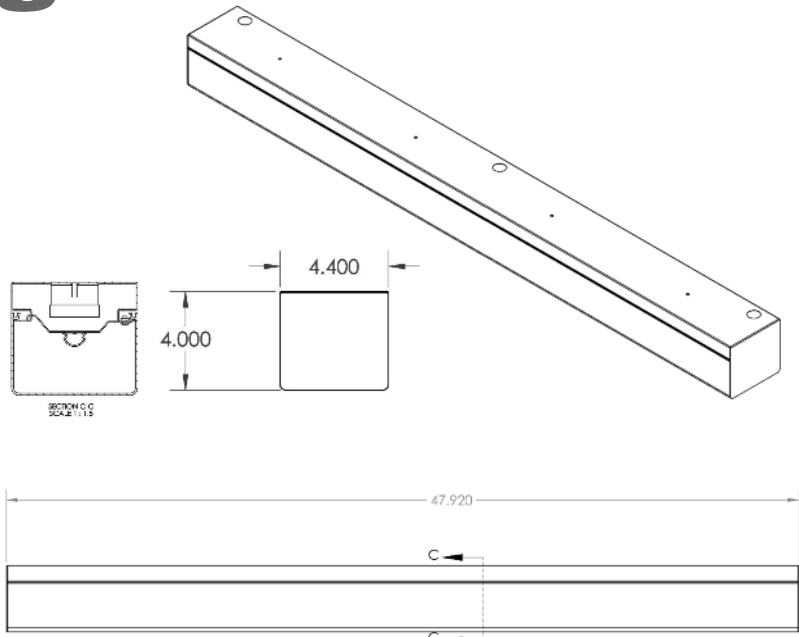
AEI's Narrow LED Wrap fixtures offer an economical solution to fluorescent tubes, creating a long-lasting and energy saving upgrade -- a truly green solution without the cost. Perfect for retail, office and low bay applications.

LWF Series

FOR LOW BAY APPLICATIONS



LWF Housing



FEATURES

- Made in the USA
- Nichia LEDs Standard
- Multiple voltages, wattages and color temperatures available
- Multiple wattages available to tailor light levels and maximize energy savings
- Shielding options for strip style applications to eliminate direct view of LEDs
- Unsurpassed thermal contact to ensure long life
- Aluminum housing for superior heat management
- 5-Year Limited Warranty - visit AEILighting.com for more details

LIGHT ENGINES

- 85 CRI Standard - Higher CRI available - Consult AEI for options
- Color temperatures include 3000K, 3500K, 4000K and 5000K
- Lumens: 3400 lumens to 3465 lumens
- Lumen maintenance: L70 - 115,000 hours, L80 - 70,000 hours depending on ambient temperatures
- White lens for better glare protection and light distribution

ELECTRICAL

- 120-277V Standard - Consult for other voltages
- 0-10 Volt dimming available for easy daylight harvesting
- Occupation sensor, integration and control system options available

MATERIALS

- White powdercoated aluminum body, with an option of White Optics Material for improved specular reflectance - Consult AEI

APPLICATIONS

- AEI can produce a wrap for almost any existing or new fluorescent design
- Consult your AEI representative regarding your particular application



AEI LIGHTING

LWF Series

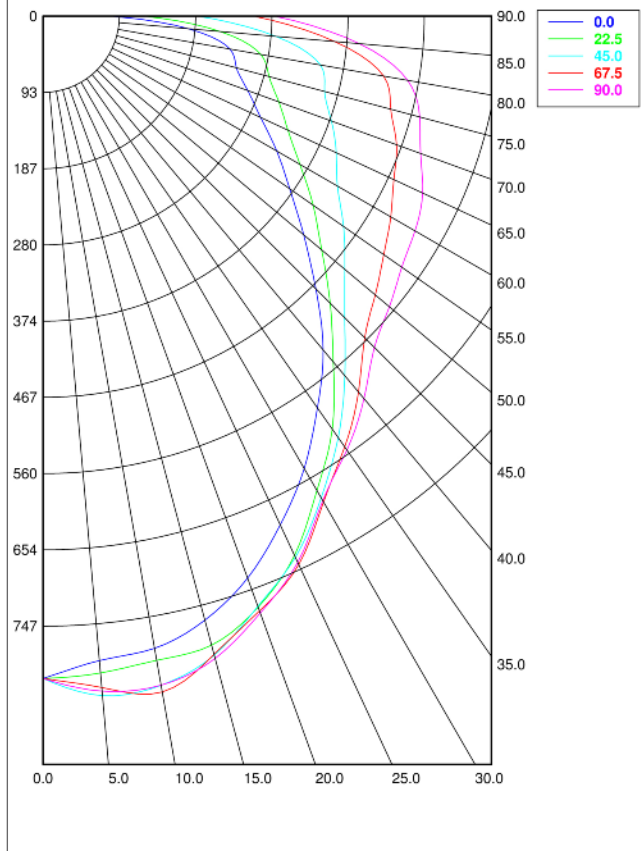
FOR LOW BAY APPLICATIONS

NARROW LED WRAP

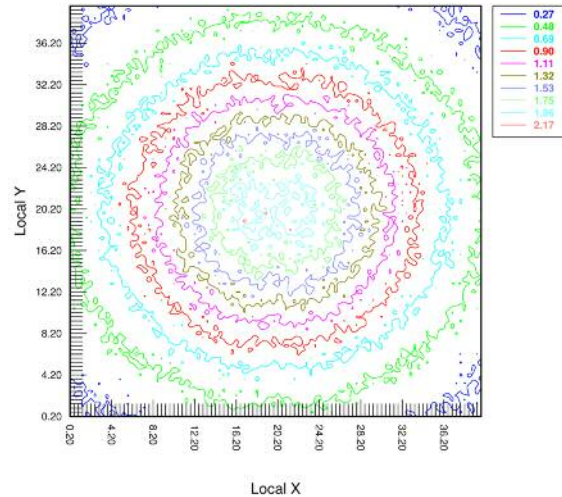
AEI Narrow LED Wrap

PHOTOMETRY

Candela Distribution Polar Plot (LWF)



Illuminance Plane 1 Contour Plot (LWF)



ZONAL LUMENS

Cone	Between	Lumens
1.25	0.00 - 2.50	4.85
5.00	2.50 - 7.50	39.16
10.00	7.50 - 12.50	78.11
15.00	12.50 - 17.50	113.73
20.00	17.50 - 22.50	143.85
25.00	22.50 - 27.50	168.72
30.00	27.50 - 32.50	185.05
35.00	32.50 - 37.50	197.23
40.00	37.50 - 42.50	202.73
45.00	42.50 - 47.50	203.50
50.00	47.50 - 52.50	204.05
55.00	52.50 - 57.50	203.70
60.00	57.50 - 62.50	201.67
65.00	62.50 - 67.50	199.29
70.00	67.50 - 72.50	196.12
75.00	72.50 - 77.50	191.33
80.00	77.50 - 82.50	186.49
85.00	82.50 - 87.50	156.65
88.75	87.50 - 90.00	51.28

Zone	Lumens	Beam	Eff%
0-30	241	15.3	21.9
0-40	1032	24.8	35.3
0-60	1816	43.9	63.0
0-90	2927	89.7	100.0
90-120	0	0.0	0.0
90-150	0	0.0	0.0
90-180	0	0.0	0.0
0-180	2927	89.7	100.0

Total Luminaire Optical Efficiency = 69.7%



ORDERING GUIDE

Series	Length Of Strips	Wattage	LEDs	# Of Circuit Rows/Length	CCT	Voltage	Lens Type	Options
LWF	LENGTH OF STRIPS 4=4-Feet 8=8-Feet	WATTAGE 20=20 Watts 25=25 Watts 30=30 Watts 35=35 Watts 40=40 Watts 50=50 Watts	LEDs 9 = 9UP 18 = 18UP	# OF CIRCUIT ROWS/LENGTH 1-3LC=1 Row, 3 Circuits 1-4LC=1 Row, 4 Circuits	CCT/LAMP COLOR 30=3000K 35=3500K 40=4000K 50=5000K Leave Blank If No Lamps Consult Factory For Custom Applications and Ordering Number	VOLTAGE UNI=120-277 VAC 347=347 VAC 480=480 VAC	LENS TYPE WA=WHITE ACRYLIC PR=PRISMATIC	SENSORS Consult Factory For Sensor Options COLORS The Standard Color is WHITE Consult Factory For More Options OTHER Consult Factory For Custom Applications and Ordering Number

10-YEAR LIMITED WARRANTY
VISIT AEILighting.com for Details
480-733-6594



AEI LIGHTING

FOR LOW BAY APPLICATIONS