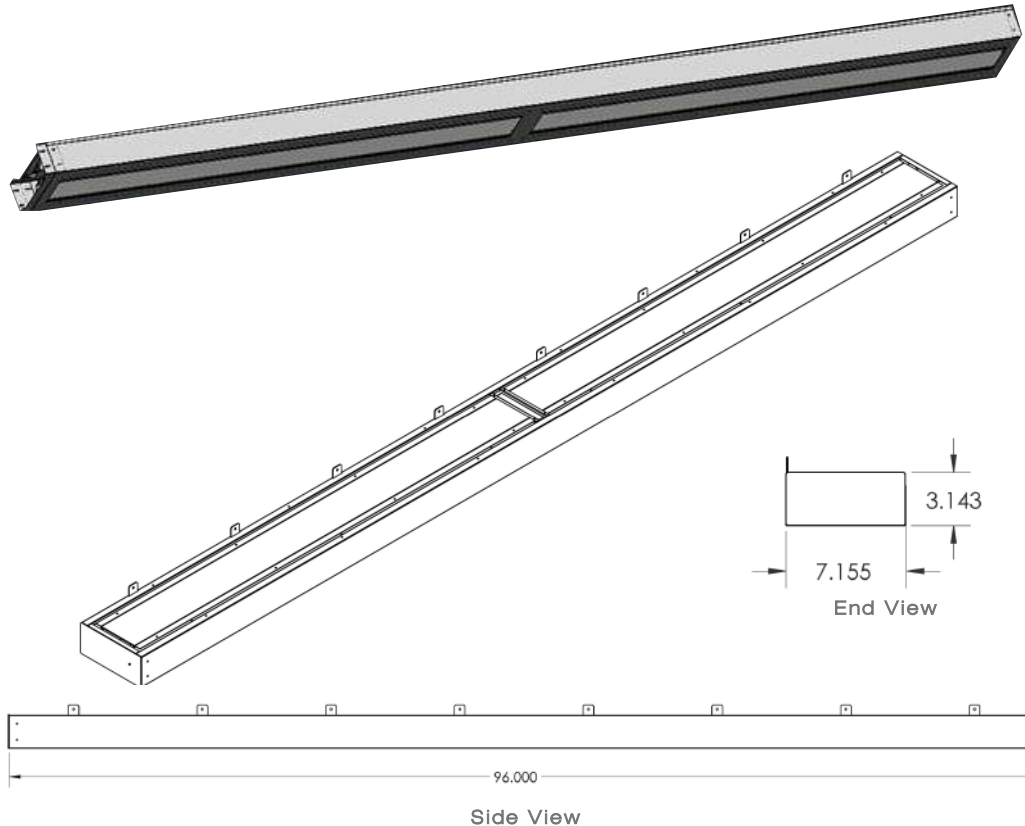


AEI's Linear Uplight / Downlight (LUD) Series fixtures are perfect for retail, office and commercial applications. The LUD Series features exclusive scalability to enable perimeter area, task and heavily populated floor designs to be easily configured to avoid obstructions and maximize energy & maintenance savings.

LINEAR UPLIGHT/DOWNLIGHT LUD Series

2-, 4- and 8-Foot CONFIGURATIONS



FEATURES

- Uplight and Downlight Capability
- AEI Linear LEDs using NICHIA N757D chips
- Made in the U.S.A.
- High lumen LED output with multiple lumen output options
- Available in multiple colors and finishes
- Rated for a wide range of operating temperatures from:
-40° C to 55° C, -40° F to 131° F
- 5-Year warranty on all fixture components

ELECTRICAL

- Universal input voltage 120-277 VAC, with an option for 347-480VAC
- Integral LED driver features 0-10 Volt dimming available
- Integrated occupancy and daylighting control options offer additional savings without wiring. Consult AEI for your best option.

LIGHT ENGINES

- AEI Linear LED strips (3000K, 3500K, 4000K & 5000K) provide consistent color, high CRI and superb lumen maintenance
- L70 lifetime of >115,000 hours and an L80 lifetime of >71,000 hours when operating within specified temperatures
- Light output packages available range from 600 lm/foot to over 2,000 lm/foot. Contact AEI for details.

APPLICATIONS

- All Retail Areas
- Office & Class A Applications
- Schools and Classroom
- Medical & Healthcare Facilities
- All Commercial Applications

HOUSING & LENS

- Made in the U.S.A. & IP55 Rated
- Lumico frosted lens is standard
- Unique, heavy-duty all-aluminum, low-profile housing for years of trouble-free and worry-free illumination
- Fewer mounting and feed points reduces installation costs & increases design flexibility
- Variety of lens options available

FINISH

- Pre-coated aluminum housing standard
- Optional finishes for unique applications are available. Contact AEI or your sales representative.



AEI LIGHTING

LINEAR UPLIGHT/DOWNLIGHT LUD Series

2-, 4- and 8-Foot CONFIGURATIONS

ORDERING GUIDE

Ordering Example: LUD-4-MED-40K-UNI-CL-PEN

Series	Length	LED/Wattage	CCT	Voltage	Lens	Mounting	Options
LUD							
	LENGTH 2=2 Foot 4=4 Foot 8=8 Foot	LED/WATTAGE LOW = 600 lm/foot MED= 1000 lm/foot HIGH= 2000 lm/foot	CCT/LAMP COLOR 30K=3000K 35K=3500K 40K=4000K 50=5000K Leave Blank if No Lamps Consult Factory For Custom Applications and Ordering Number	VOLTAGE UNI=108-305 VAC 347=347 VAC 480=480 VAC	LENS FR=FROSTED CL=CLEAR PR=PRISMATIC PC=POLYCARBONATE Consult Factory For Other Options	MOUNTING CAB=Cable PEN=Pendant WALL=Wall Consult Factory For Other Mounting Options	SENSORS OS=Occupancy Sensor PS=Daylight/Photo Sensor PD=0-10V Dimming Consult Factory For Sensor Options OTHER Consult Factory For Custom Applications and Ordering Number

5-YEAR LIMITED WARRANTY
 VISIT AEILighting.com for Details
 480-733-6594

