

The AEI FLL16 is perfect for all building exteriors, business park, university campus, parking garage and distribution center lighting applications. The FLL16's array of LEDs provide brilliant, uniform lighting for all types of commercial & industrial outdoor applications. Unparalleled energy savings makes the FLL16 perfect for area and roadway lighting.

## FLL 16 Outdoor Pole/Arm-Mounted Luminaires for OFFICE PARKS, AREA & ROADWAY



FLL16 with Guard & Baffle Options

### FEATURES

- Utilizes IP68 LED Modules
- Aluminum housing and thermal transfer materials ensure premium lumen maintenance
- High lumen LED output with multiple lumen output options
- Standard bronze housing; available in other colors and finishes
- 10-Year Limited Warranty on all fixture components
- Type V standard. Other distributions available

### ELECTRICAL

- Universal input voltage 120-277 VAC with 347-480 VAC available. Consult AEI.
- LED driver features switch for wattage adjustability
- 0-10V dimming option available
- Photocell option offers additional savings

### LIGHT ENGINES

- AEI LED modules provide consistent color, high CRI and superb lumen maintenance
- AEI LED modules have efficacies reaching up to 125 lm/w with 85+ CRI
- L70 lifetime of >75,000 hours when operating within specified temperatures

### APPLICATIONS

- Commercial, Industrial & Retail Building Exteriors
- School & University Building Exteriors
- Parking garages & areas
- Loading bay & dock exteriors
- Distribution Centers

### MOUNTING OPTIONS

- Direct pole mount or adjustable slipfitter
- Yoke and swivel bracket options

### HOUSING & LENS

- Die-cast aluminum housing w/ textured, architectural bronze powder coat finish
- UL-Rated for damp and wet locations
- Available w/ a variety of mounting options
- Designed for superior heat dissipation to ensure unparalleled lumen maintenance & long, usable life
- Tempered flat, clear glass lens & aluminum reflector standard
- Vandal guard, wire guard, baffle and diffusing options available. Consult AEI.

### FINISH

- Durable, textured powder-coat finish over a chromate conversion coating provides protection from extreme environments
- Standard bronze housing finish. A wide variety of colors and finishes available. Consult AEI for all finish options.



AEI LIGHTING

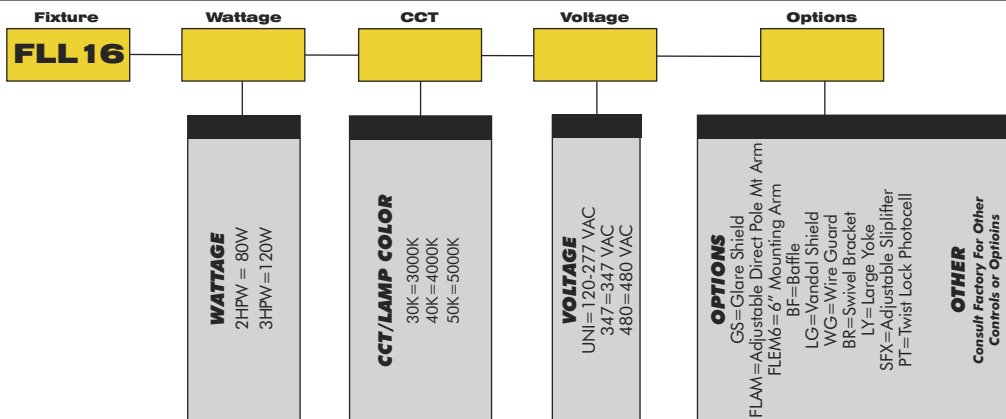
AEI LED FLL 16 Outdoor Pole & Arm-Mounted Luminaires

FOR OFFICE PARKS, AREA & ROADWAY

# FLL 16 Outdoor Pole/Arm-Mounted Luminaires

for OFFICE PARKS, AREA & ROADWAY

## ORDERING GUIDE



**AEI LED FLL 16 Outdoor Pole & Arm-Mounted Luminaires**

FOR OFFICE PARKS, AREA & ROADWAY

**10-YEAR LIMITED WARRANTY**  
 VISIT [AEILighting.com](http://AEILighting.com) for Details  
**480-733-6594**

