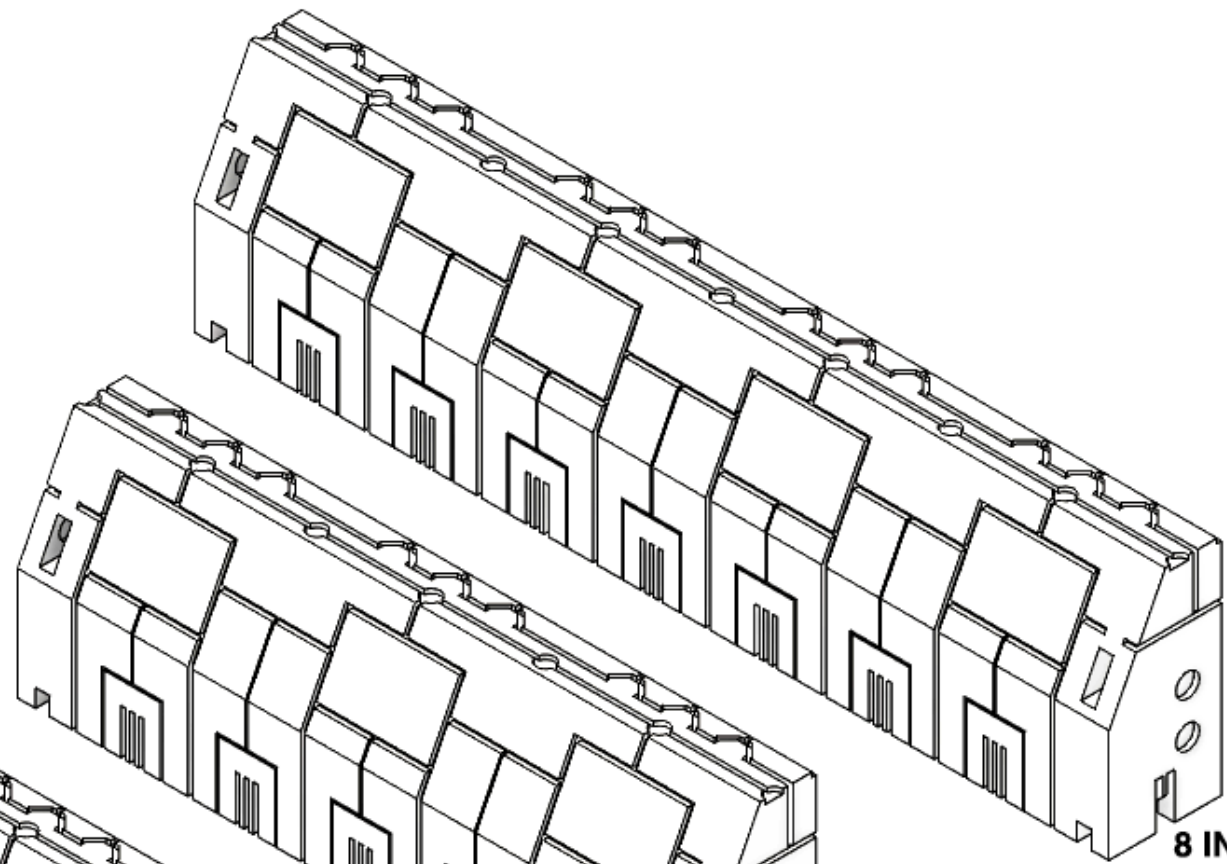
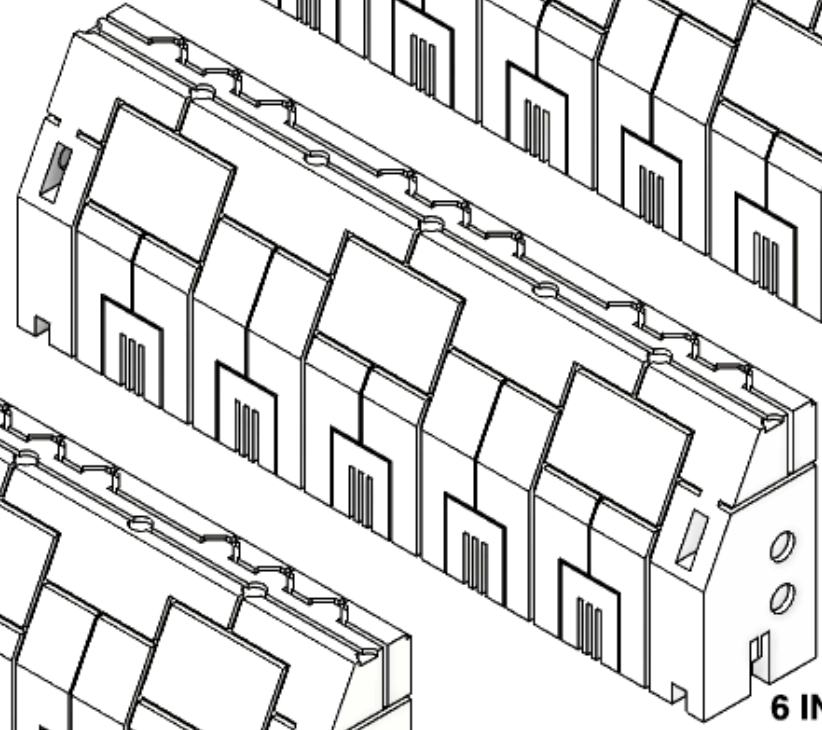


LEFT SUPPORT

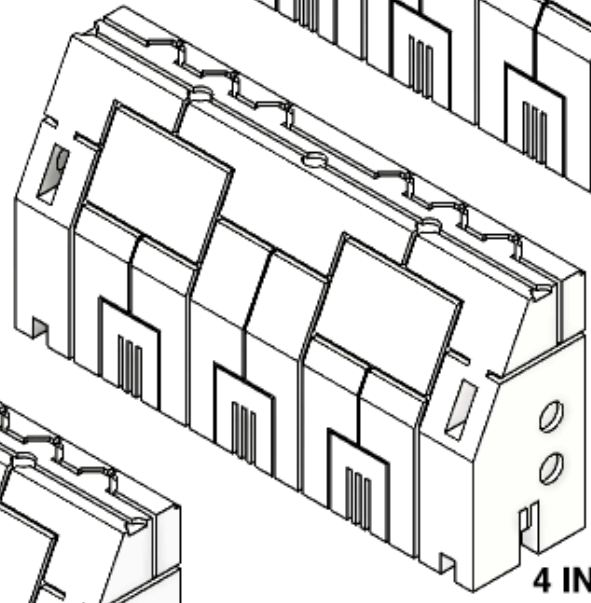
RIGHT SUPPORT



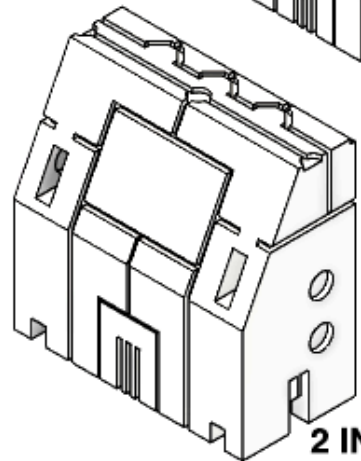
8 IN WALL



6 IN WALL

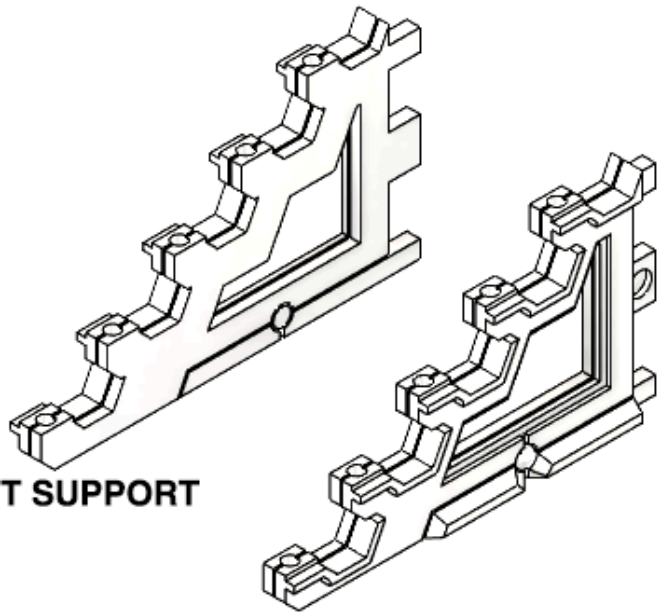


4 IN WALL



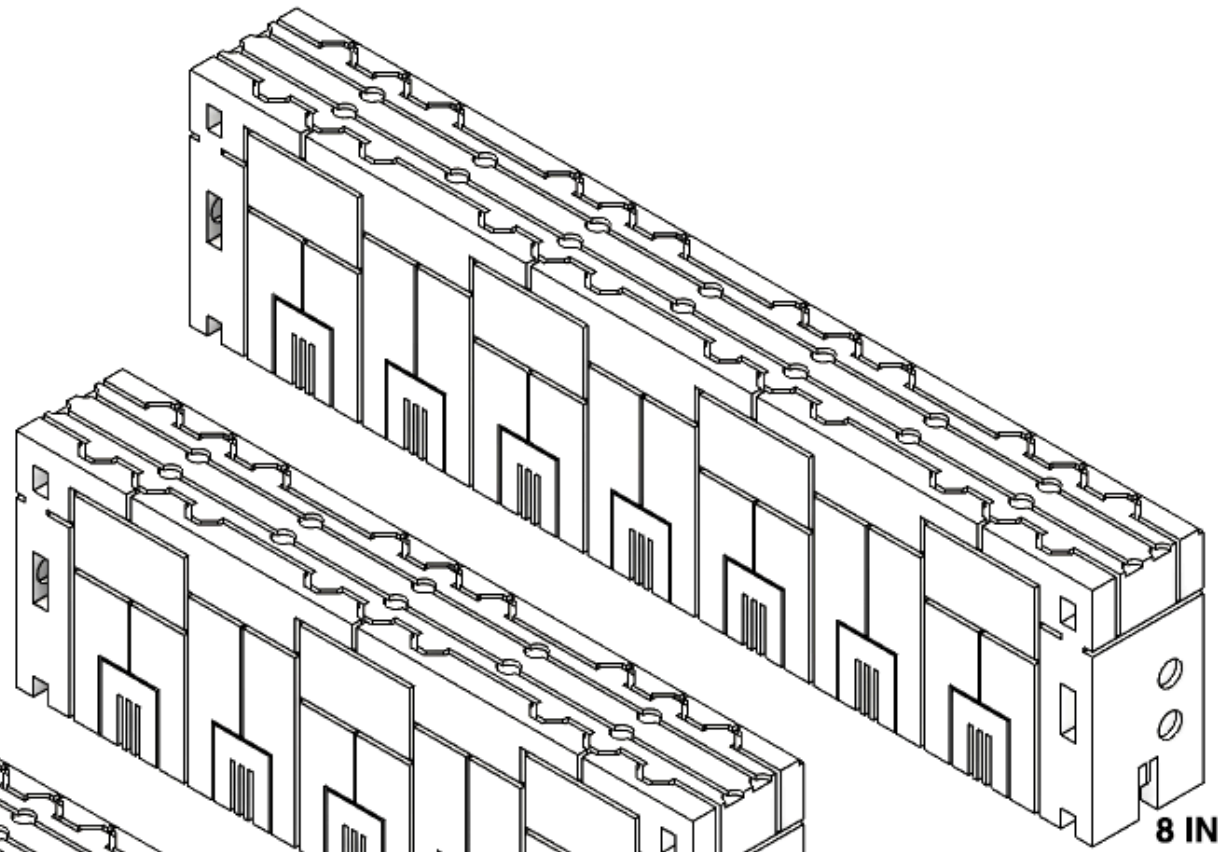
2 IN WALL

SYSTEM A

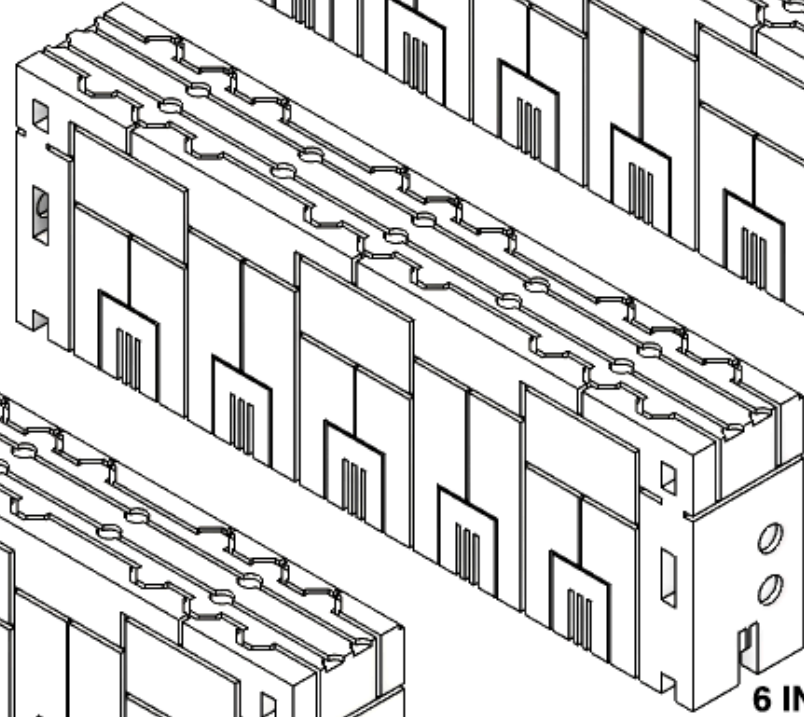


LEFT SUPPORT

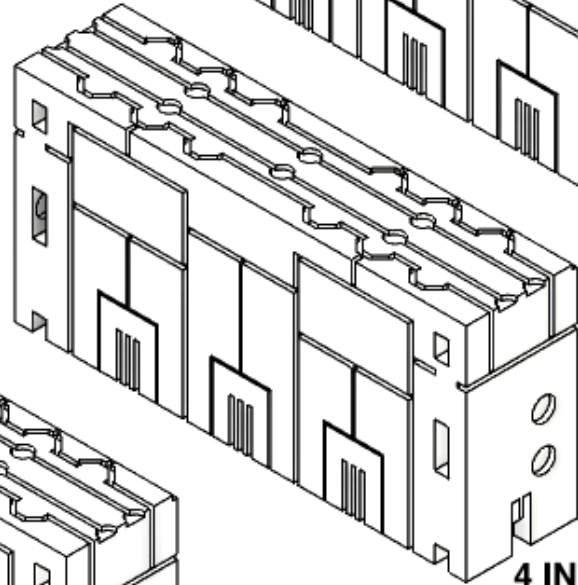
RIGHT SUPPORT



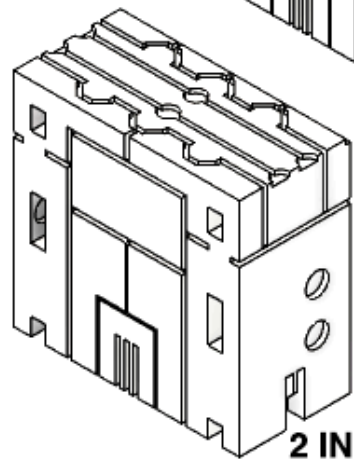
8 IN WALL



6 IN WALL

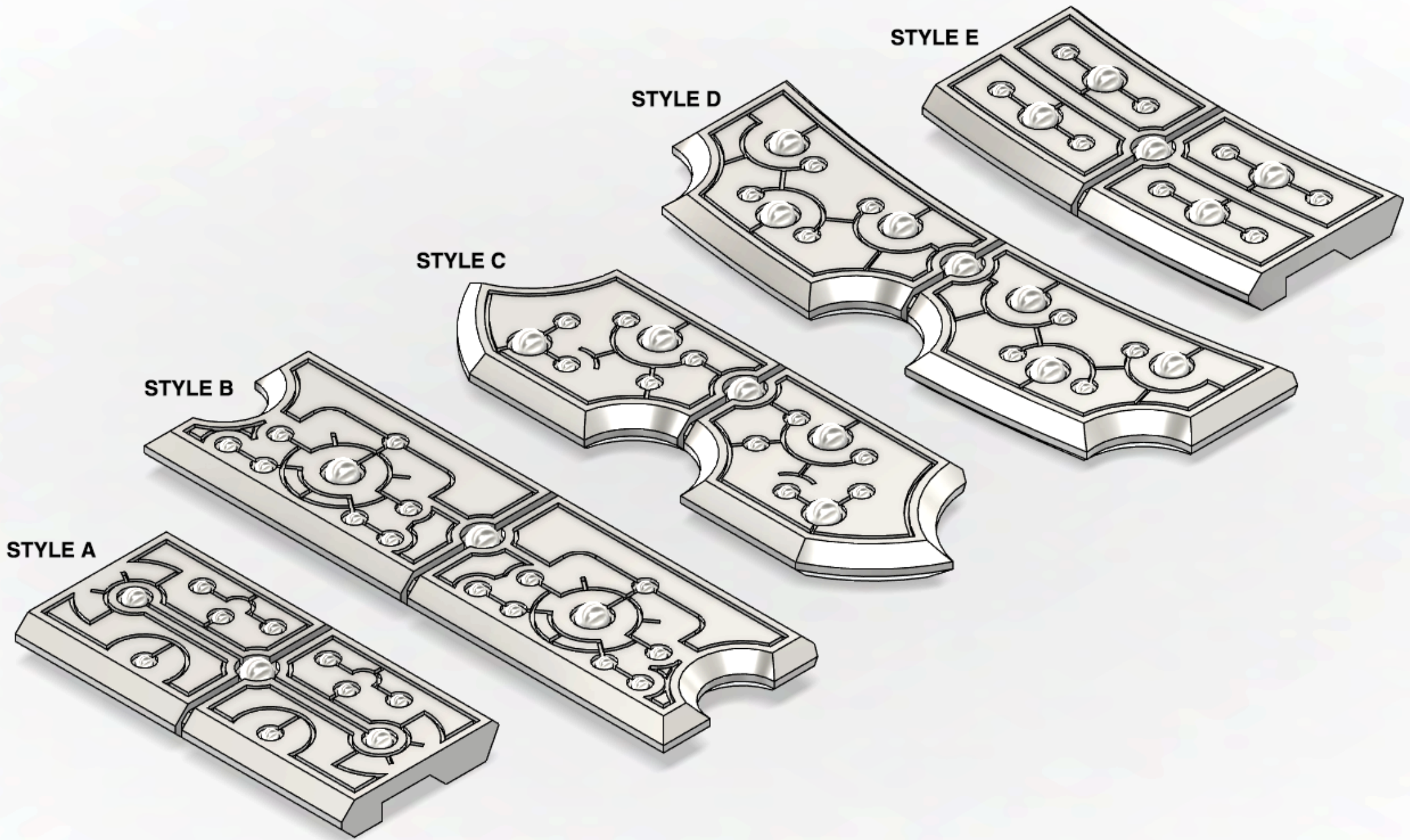


4 IN WALL



2 IN WALL

SYSTEM E



STYLE E

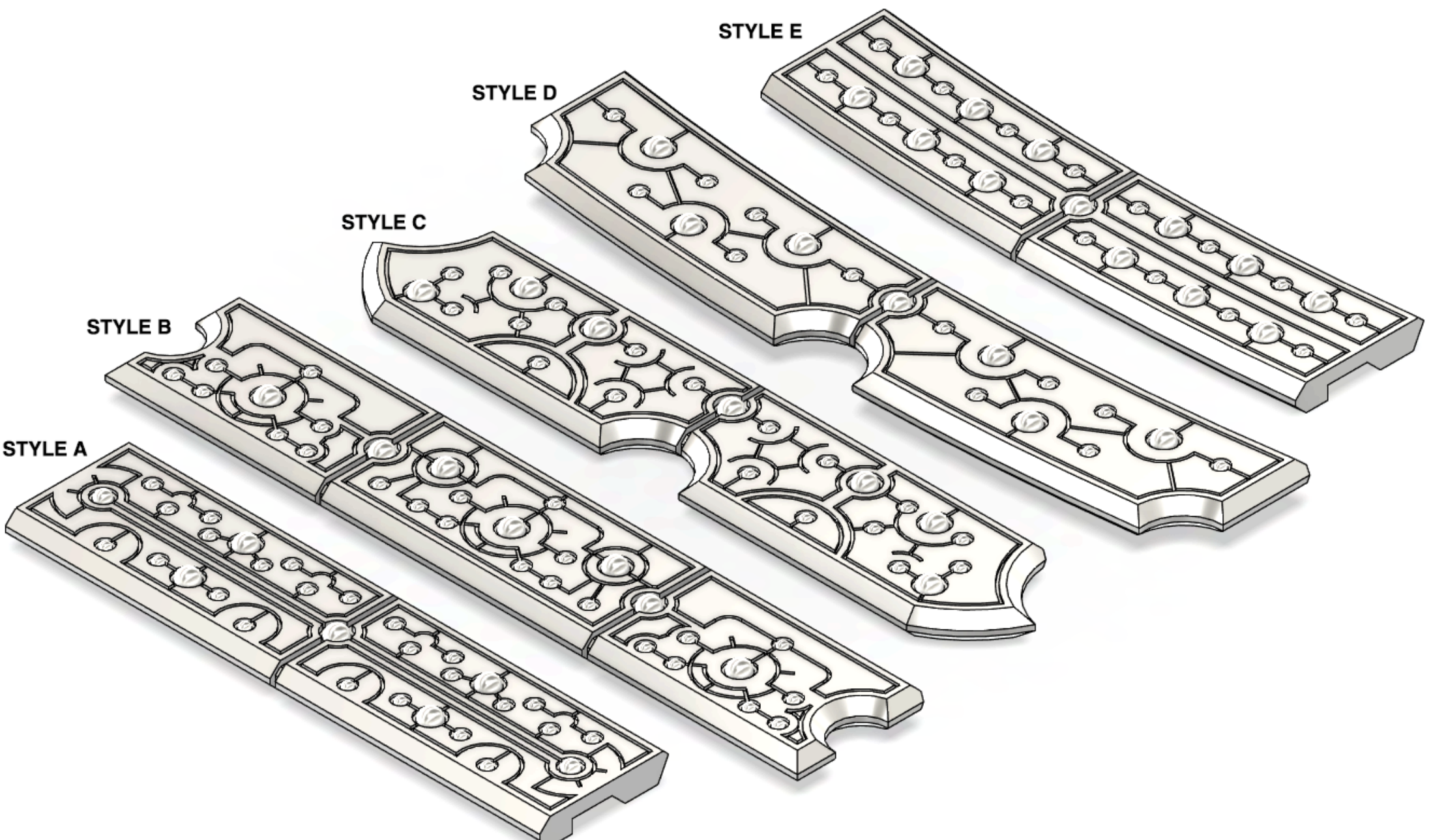
STYLE D

STYLE C

STYLE B

STYLE A

2 INCH STEPS



STYLE E

STYLE D

STYLE C

STYLE B

STYLE A

4 INCH STEPS

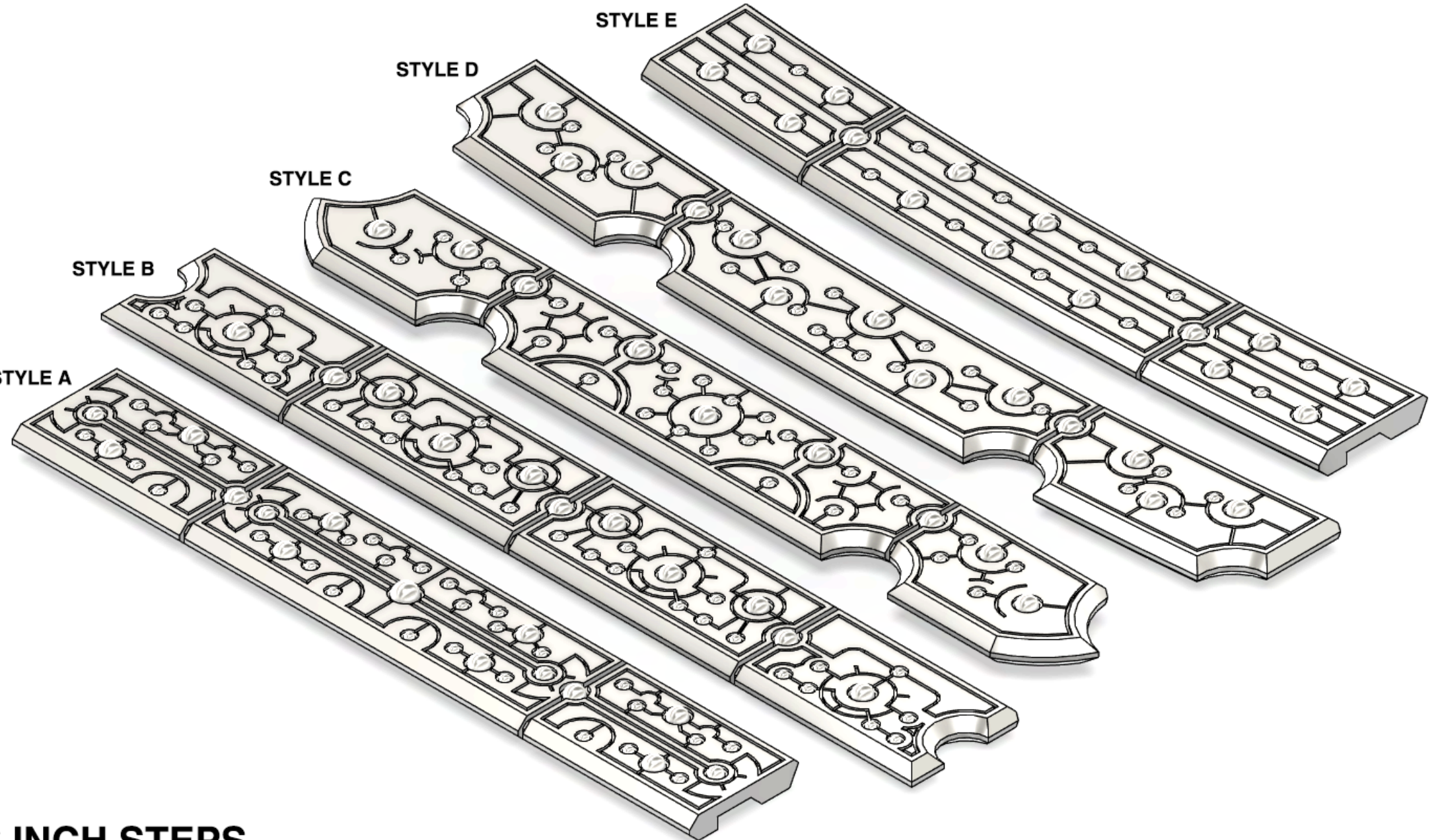
STYLE E

STYLE D

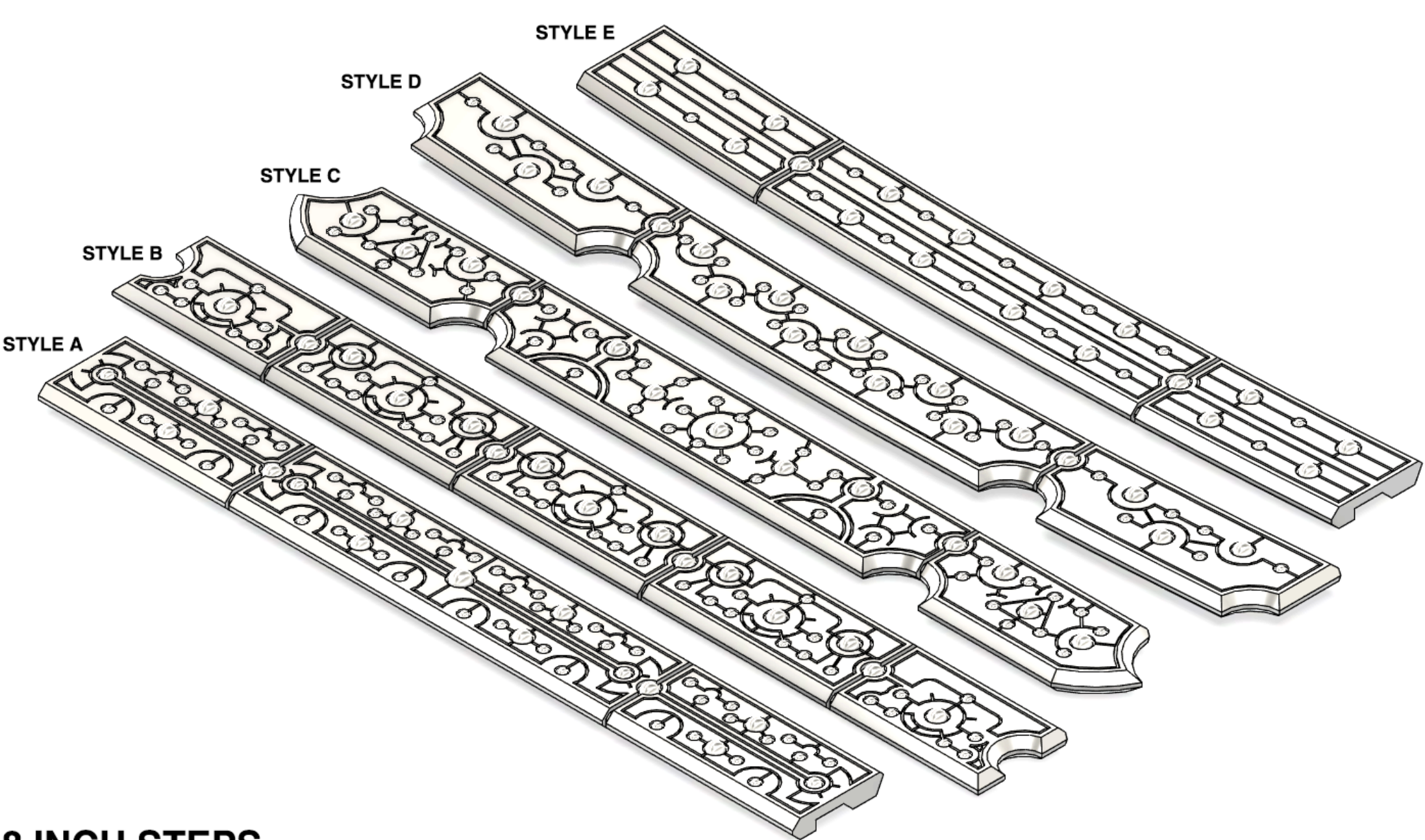
STYLE C

STYLE B

STYLE A



6 INCH STEPS



STYLE E

STYLE D

STYLE C

STYLE B

STYLE A

8 INCH STEPS