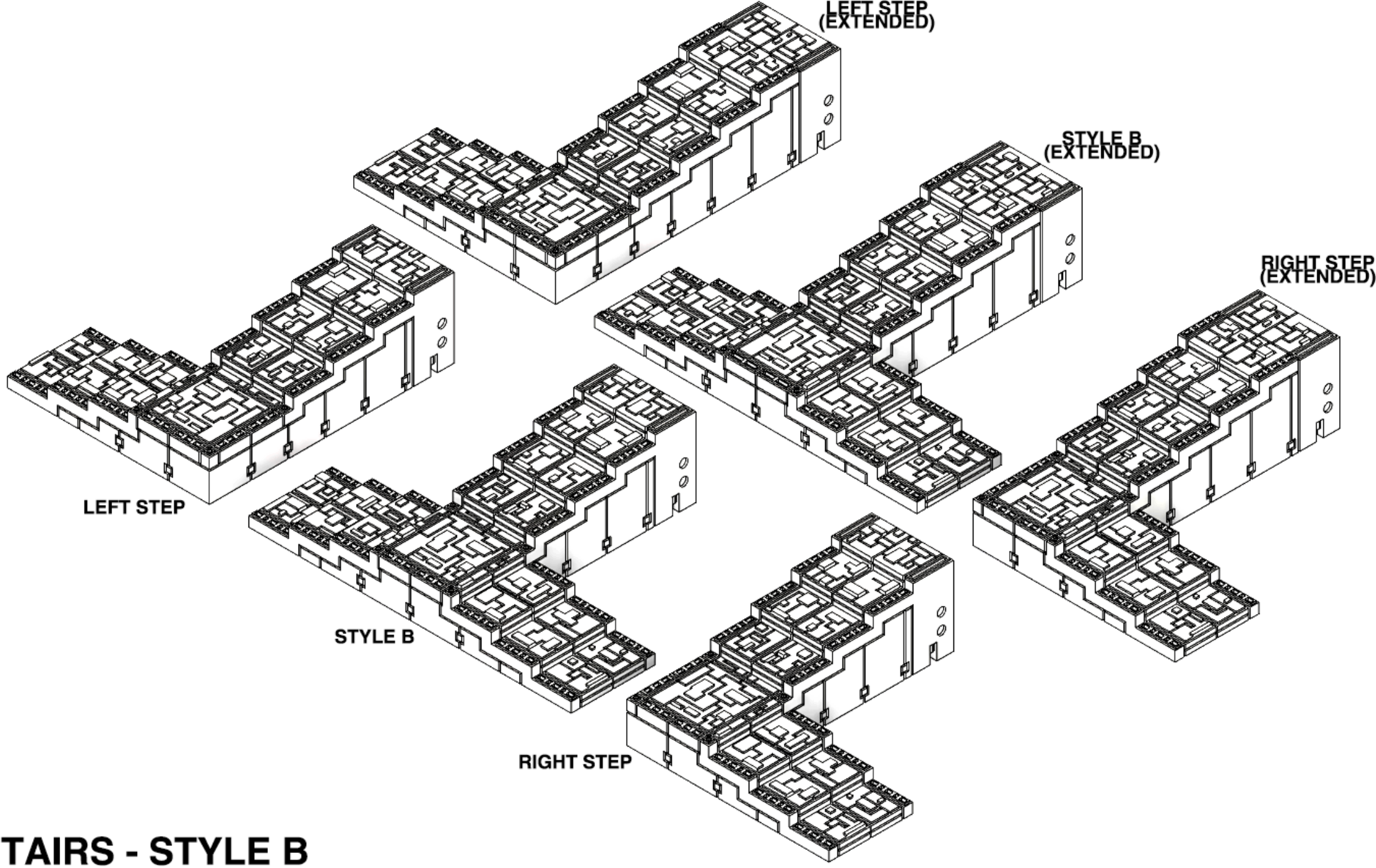


# STAIRS - STYLE A



LEFT STEP  
(EXTENDED)

STYLE B  
(EXTENDED)

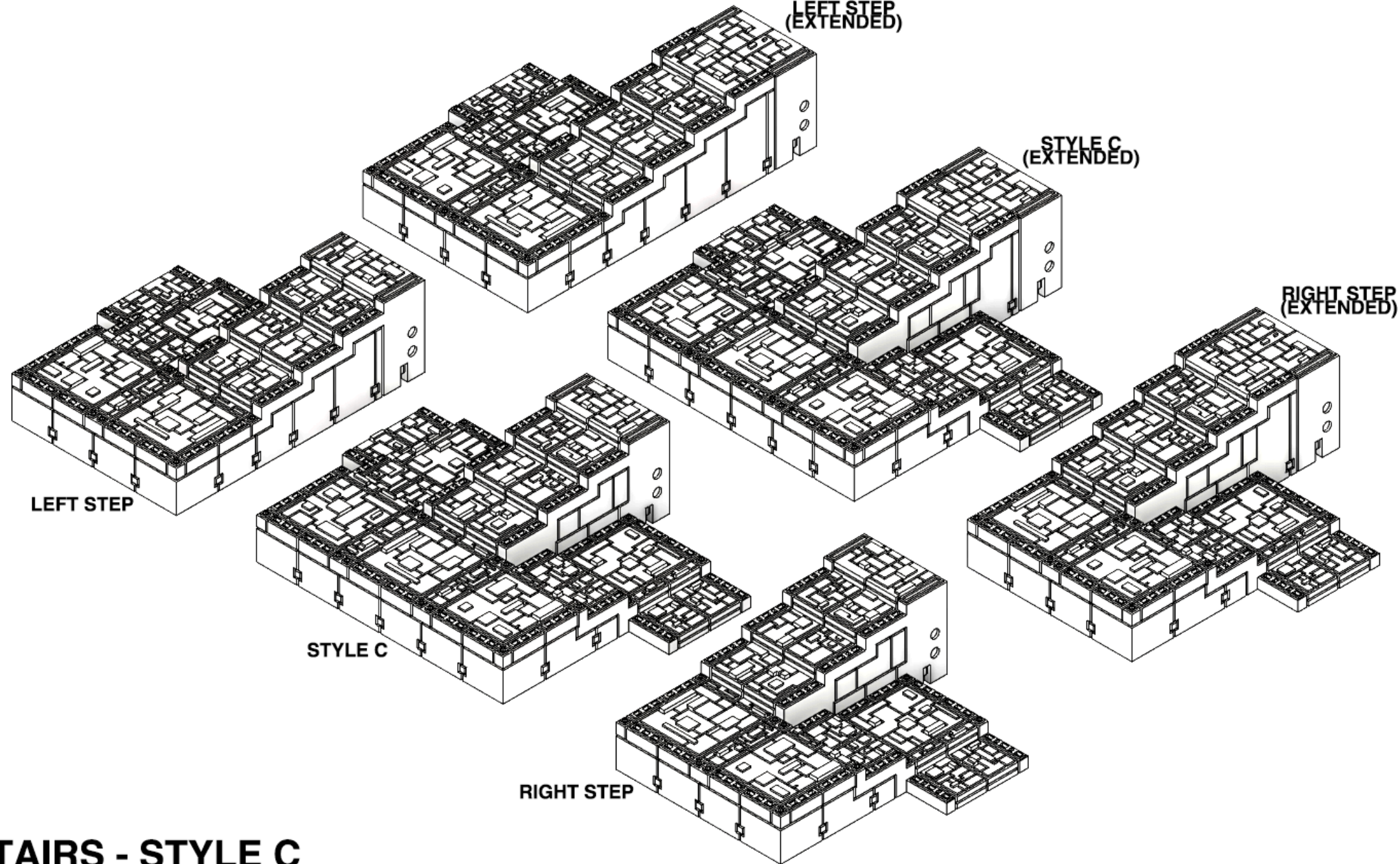
RIGHT STEP  
(EXTENDED)

LEFT STEP

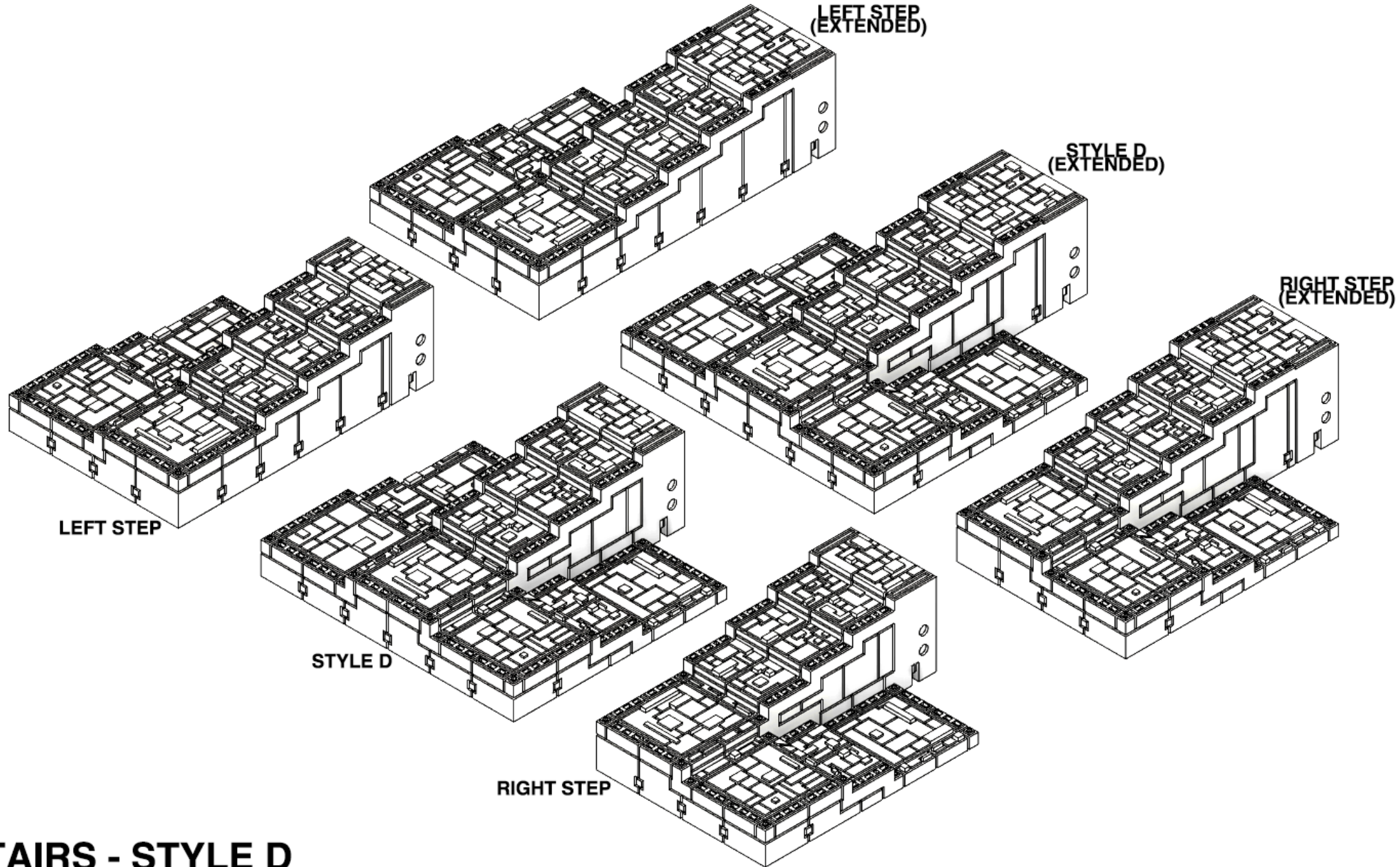
STYLE B

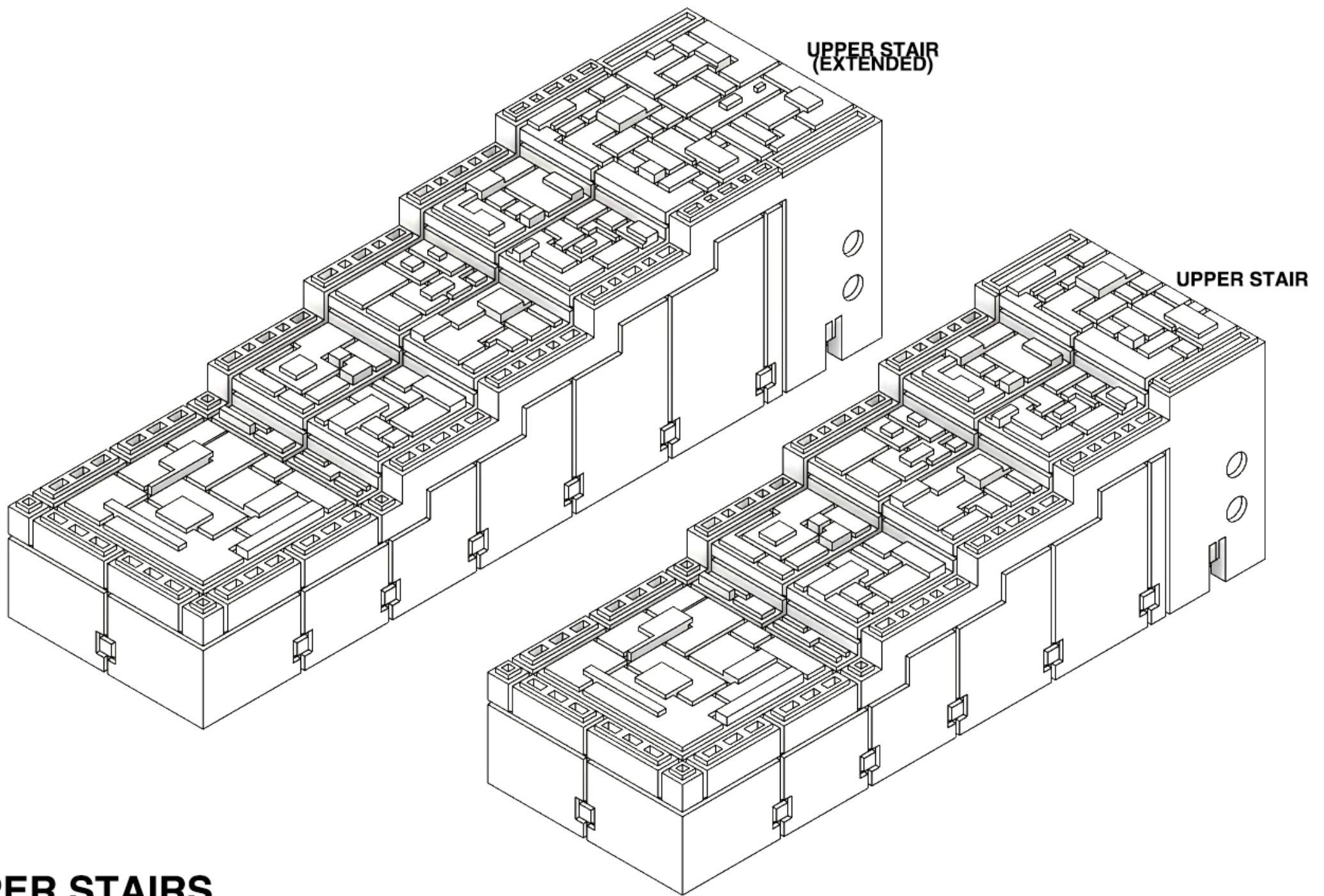
RIGHT STEP

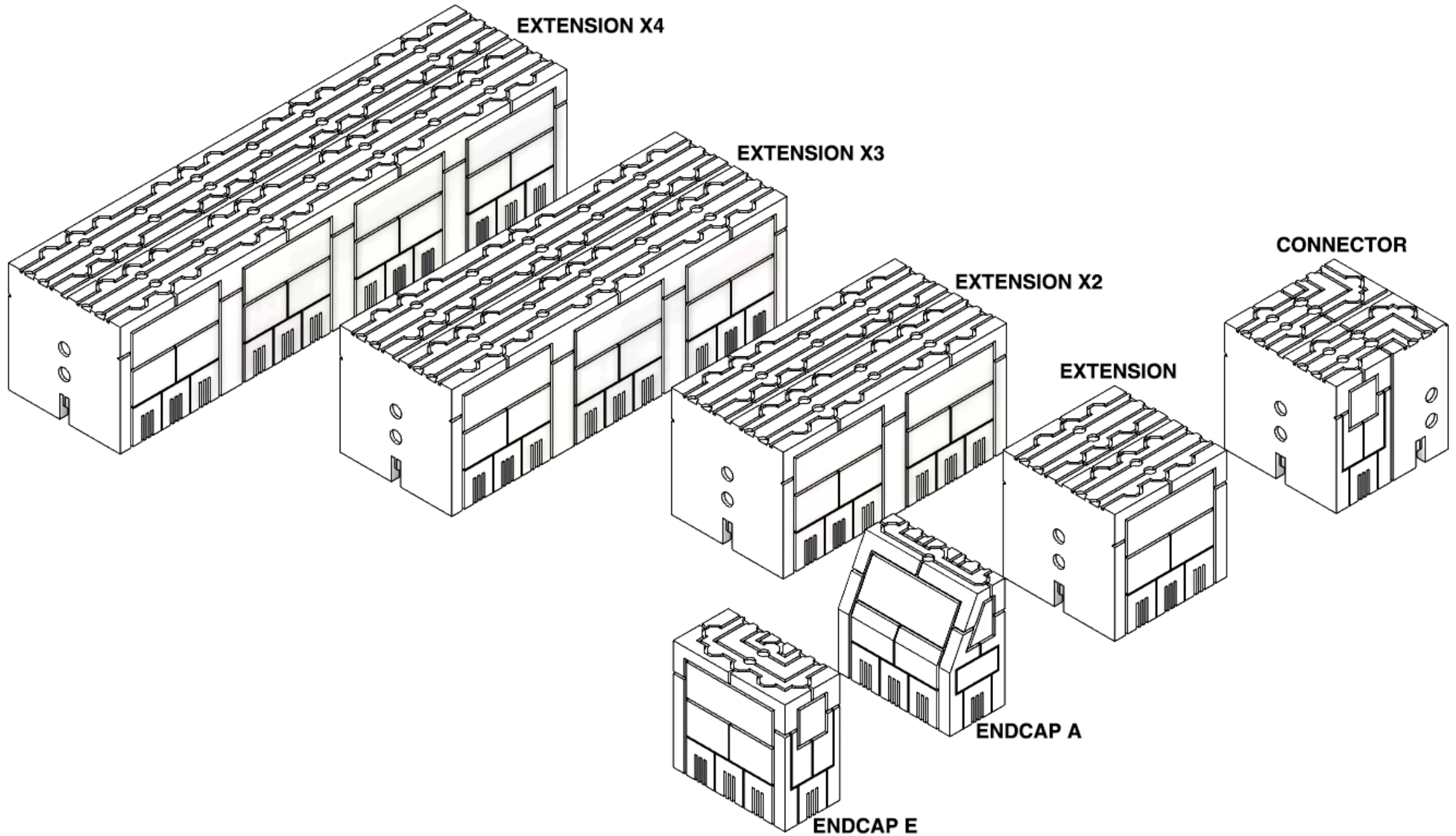
**STAIRS - STYLE B**



# STAIRS - STYLE C







EXTENSION X4

EXTENSION X3

EXTENSION X2

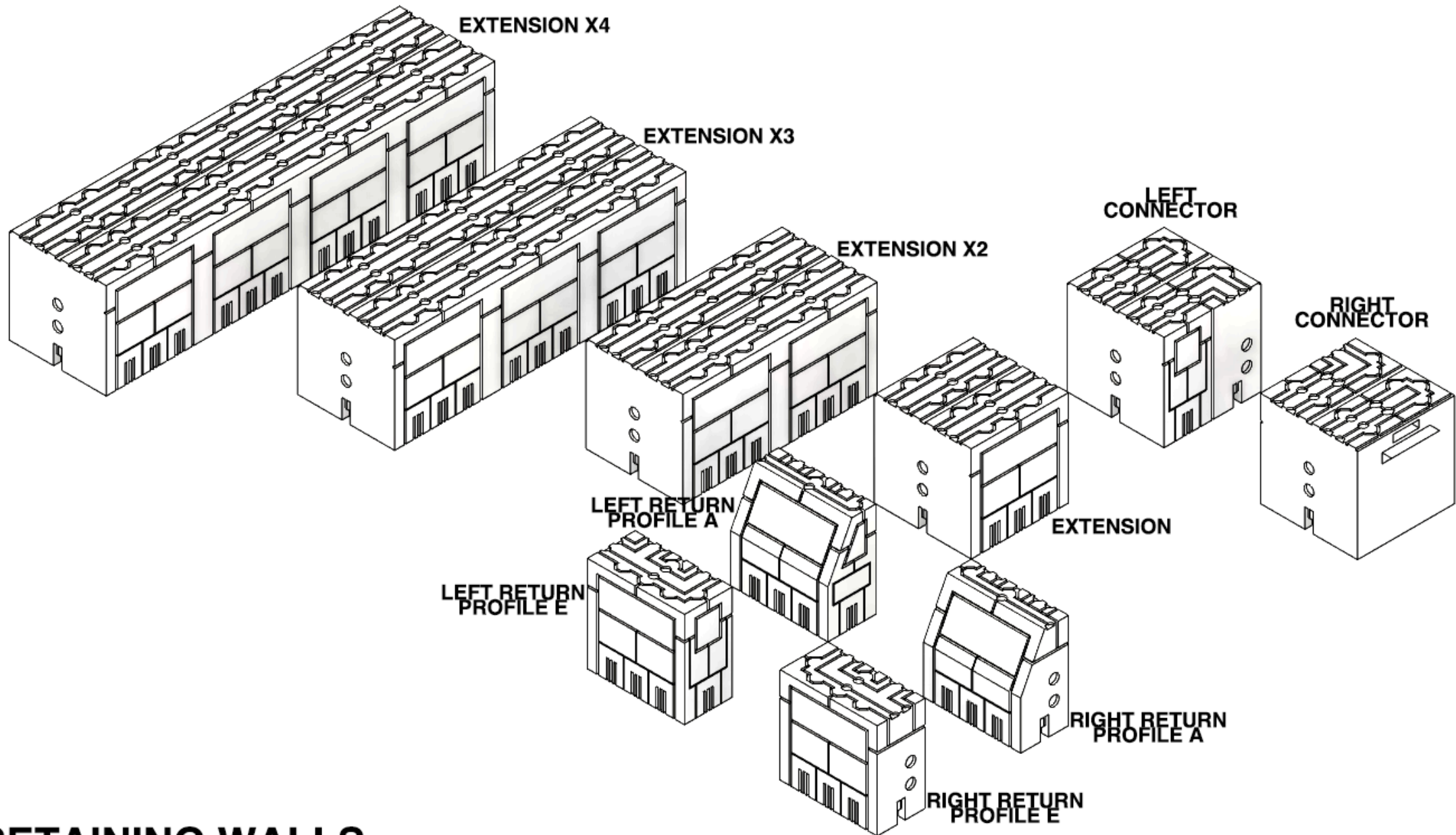
CONNECTOR

EXTENSION

ENDCAP A

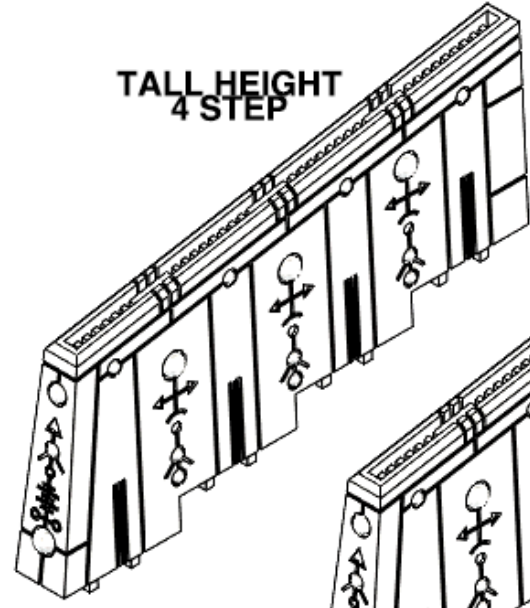
ENDCAP E

# DOUBLE WALLS

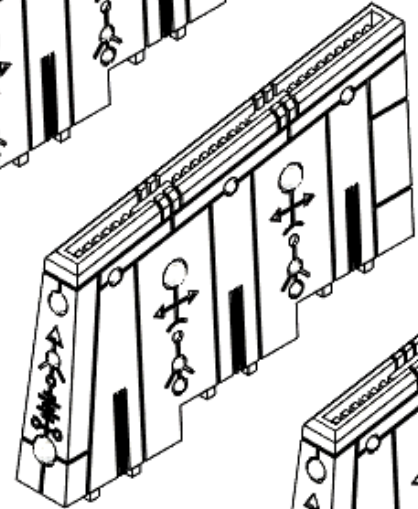


# RETAINING WALLS

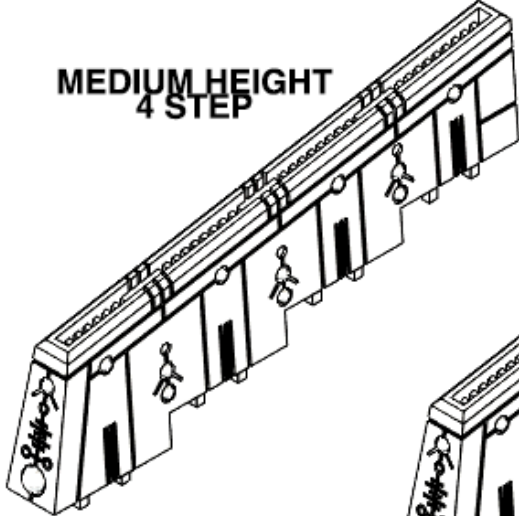
TALL HEIGHT  
4 STEP



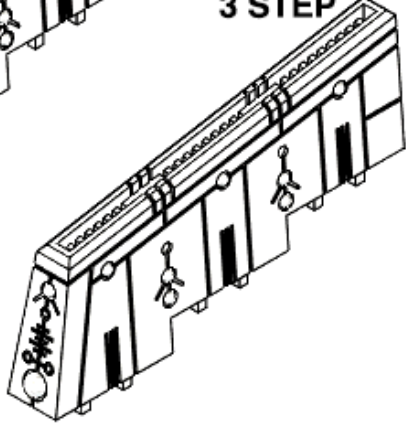
TALL HEIGHT  
3 STEP



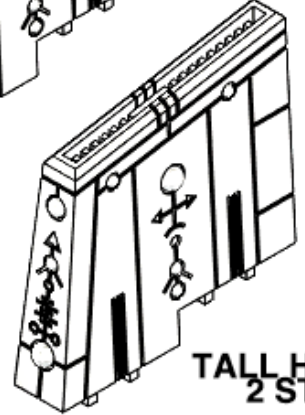
MEDIUM HEIGHT  
4 STEP



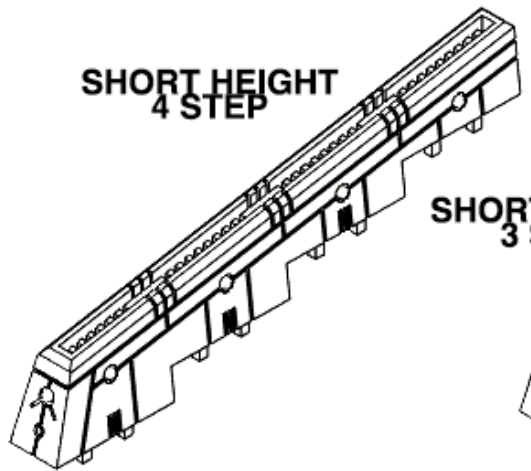
MEDIUM HEIGHT  
3 STEP



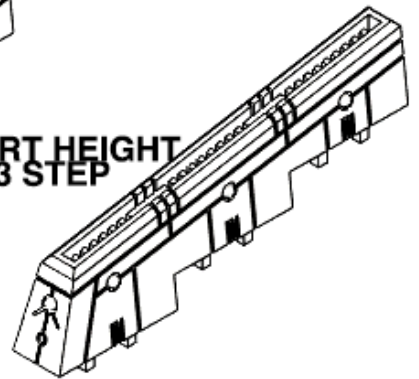
TALL HEIGHT  
2 STEP



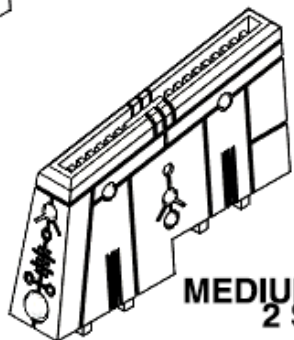
SHORT HEIGHT  
4 STEP



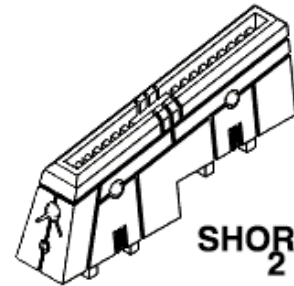
SHORT HEIGHT  
3 STEP



MEDIUM HEIGHT  
2 STEP

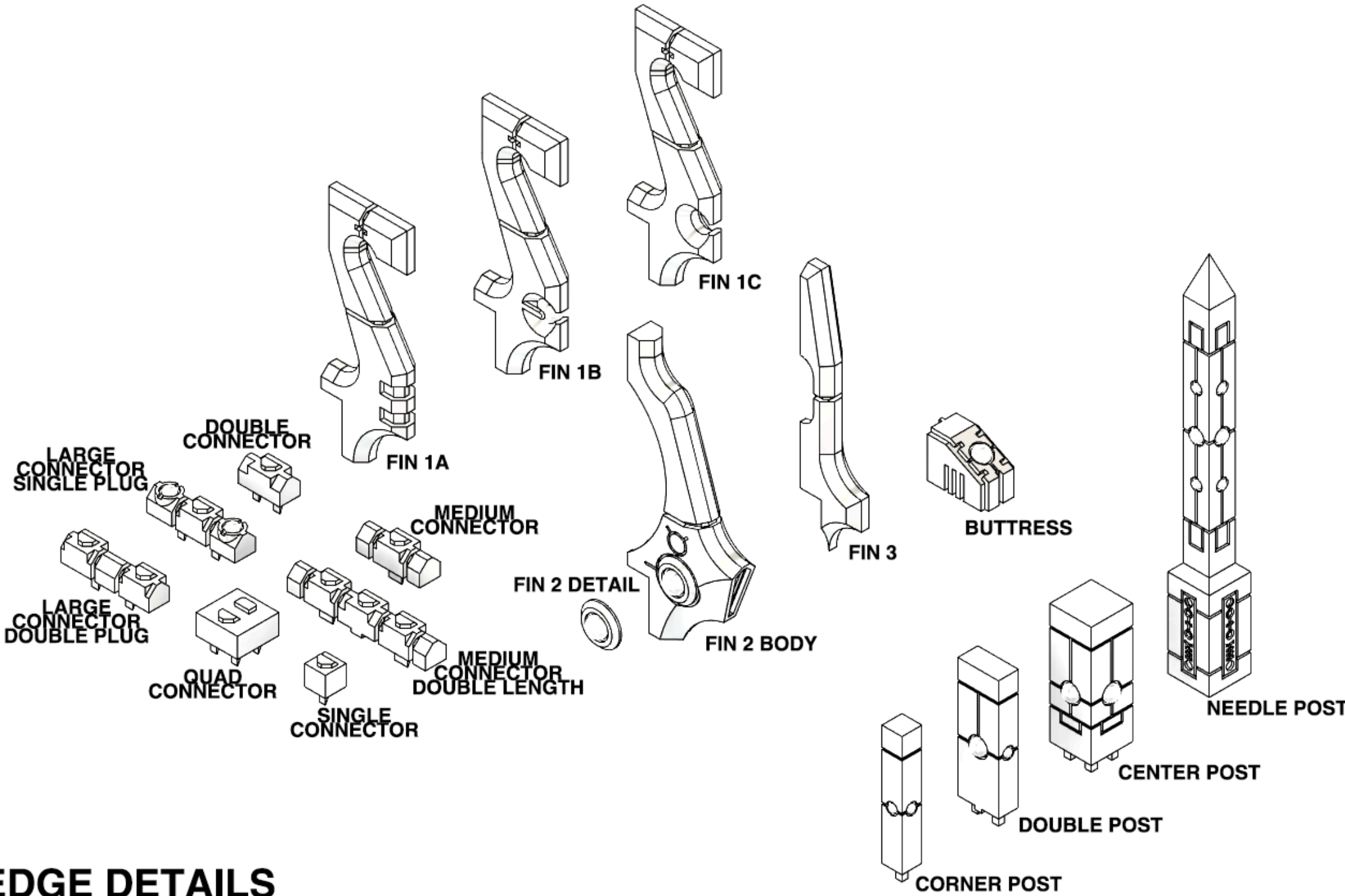


SHORT HEIGHT  
2 STEP



# STAIR DIVIDERS





# EDGE DETAILS