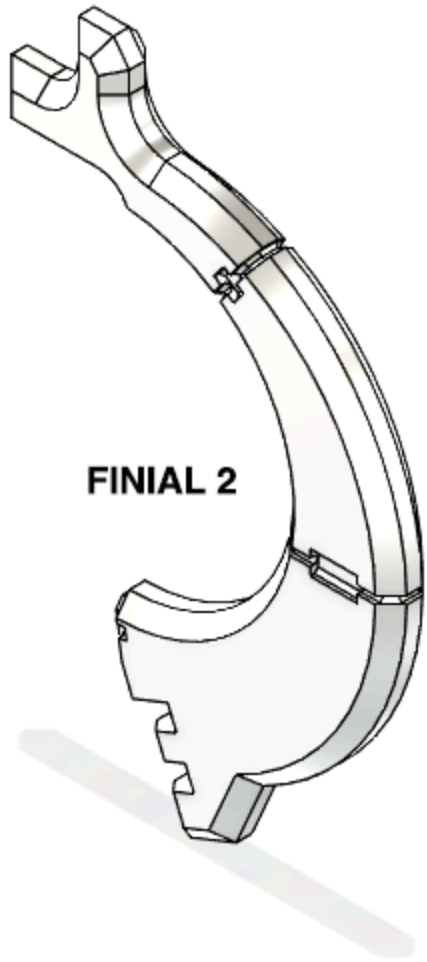


BODY

FINIAL

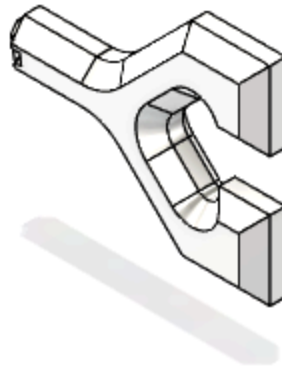
VENT COVER

THE CENOTAPH

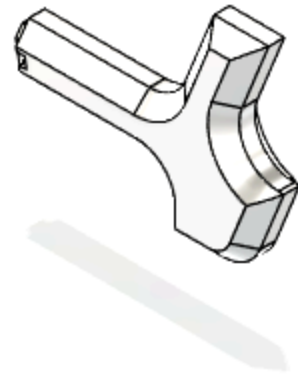


FINIAL 2

FINIAL 3



FINIAL 4



THE CENOTAPH - FINIALS