

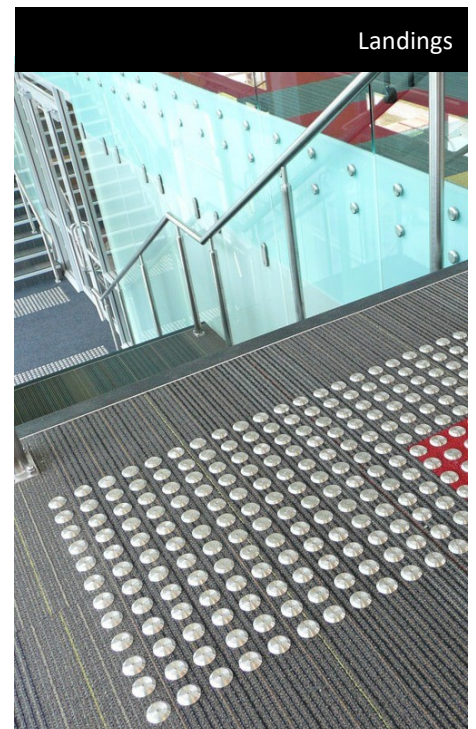
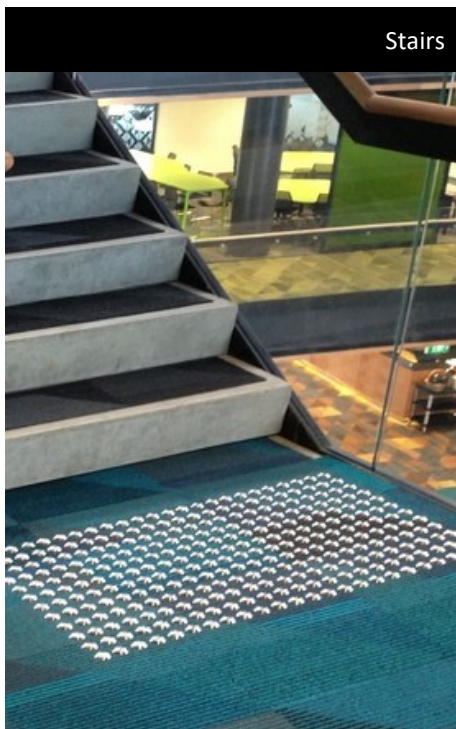


# TacPro STAINLESS STEEL TACTILE INDICATORS HAMMER-IN / FRICTION FIT FOR CARPET TILES

TacPro Stainless Steel Tactile Studs for carpet have been developed as a premium retrofit system for new and existing carpet.

Machined from a single bar of 316 Marine Grade Stainless Steel, they provide aesthetic appeal and unrivalled performance for use on high profile developments.

TacPro Stainless Steel Tactile Indicators outlast and outperform all competition, resulting in Australasia's leading brand.



## FEATURES

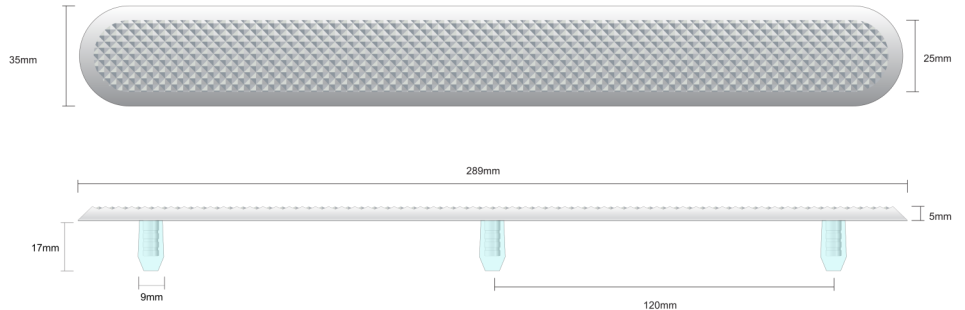
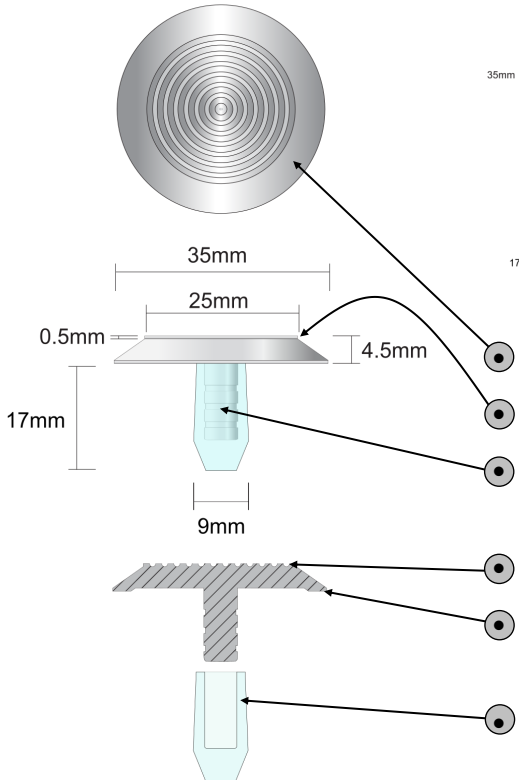
- The Tactile Stud System can be installed to almost any existing or new carpet.
- Installation is cost effective with no carpet removal required.
- Stainless Steel ensures ultra high sheer strength and excellent durability with virtually no maintenance.
- Individual Stainless Steel Tactile Indicators provide greater aesthetic appeal.
- The 17mm shaft with tough nylon sleeve is long enough to penetrate most commercial carpets and securely anchor to the substrate.
- Quick and easy installation.





Warning / Hazard - Type B

Directional / Leading - Type C



- Machined from a single solid bar of 316 Marine Grade Stainless Steel.
- Raised top edge greatly improves slip resistance (R12).
- The shaft is integral to the tactile unit - not welded on. The groove on the shaft allows for a greater mechanical bond with the sleeve.
- Concentric anti-slip cavities are rounded at the bottom to inhibit dirt build-up.
- The ring under the tactile stud is designed to 'bite' into carpet installations to prevent movement.
- Tough nylon sleeve ensures a permanent friction fit.

Slip Resistance & Luminance Values

**CSIRO - SLIP RESISTANCE TEST**

AS/NZS 4586:2004 Slip resistance classification of new pedestrian surface materials, Appendix D: OIL-WET Ramp  
Mean overall acceptance angle: 28.8°  
Class: **R 12 [HIGH]**

**MRC - MEASUREMENT OF LUMINANCE REFLECTANCE (LRV)**

● **Stainless Steel - Mill Finish: 42.2**  
(45% Luminance contrast with surrounding substrate required).

Installation

- Installation utilises our 5mm thick rubber drilling templates with laser cut holes at the required 50mm centres.
- If masonry drilling carpet over concrete, it may be possible to drill directly through the carpet without snagging it. Performing a test on a scrap piece of carpet is recommended. If snagging occurs it will be necessary to hole punch the carpet prior to drilling.
- 8mm diameter holes are drilled approx. 20mm deep.
- The holes are vacuumed free of drilling debris.
- Individual Tactile Indicators are hammered down flush with the substrate using a nylon mallet, leaving the surrounding carpet visible.



TacPro<sup>®</sup> Tactile Ground Surface Indicators are locally designed and manufactured in compliance with a number of national standards and guidelines:

- AS/NZS 1428.4.1:2009 Design for Access and Mobility, Part 4, *Tactile Indicators*.
- AS/NZS 4586:2004 Slip resistance classification of new pedestrian surface materials, Appendix D: OIL-WET Ramp.
- AS HB 198:2014 *Guide to the Specification and Testing of Slip Resistance of Pedestrian Surfaces*.
- National Construction Code 2016 - Section D - clause 3.8 (TGSIs).

