

TECHNICAL GUIDE

**SINGLE PACKAGE
AIR CONDITIONER/ELECTRIC HEAT
14 SEER - R-410A - 208/230 V - 1 PHASE
2 TO 5 NOMINAL TONS
MODELS: PCE4*24 TO 60**



Due to continuous product improvement, specifications are subject to change without notice.

Visit us on the web at

www.simplygettingthejobdone.com

Additional rating information can be found at

www.ahridirectory.org

WARRANTY SUMMARY*

Extended 10-year limited parts and compressor warranty

* Extended warranty requires online registration within 90 days of purchase for replacement or closing for new home purchase. Refer to the limited warranty certificate in the *User's Information Manual* for details.

DESCRIPTION

These packaged cooling/heating air conditioners are designed for outdoor installation. Only utility and duct connections are required at the point of installation.

FEATURES

- **Operating Efficiency** - All PCE4 air conditioner models are rated at 14.0 SEER for cooling operation.
- **On-Site Flexibility** - All model sizes use a compact design cabinet in one of two footprints. This provides installer flexibility for placing the proper capacity unit on curbs or pads with the smallest footprint after the internal load has been determined. Field convertible duct connections from side shot to down shot allow the installer to have greater flexibility with less inventory.
- **Lower Installation Cost** - Installation time and costs are reduced by easy power and control wiring connections. The small base dimension means less space is required on the ground or roof. All units are completely wired, charged with R-410A, and tested before shipment. Test stations using a state-of-the-art computerized process system are used to ensure product quality. Refrigerant charge and component part numbers are verified using computers during assembly. Vital run test statistics such as system pressure, motor currents, air velocity and temperature, unit vibration, and gas system safeties are monitored and recorded by the system to ensure unit performance. Equal size side supply and return duct connections allow easy connection of ducts to match low crawl spaces without transition pieces.
- **Utility Connections Made Easy** - Electric utility access is provided through the bottom or the side of the unit. Utility connections can be made quickly and with a minimum amount of field labor. A field-supplied and field-installed electrical disconnect switch must be installed.
- **Convertible Airflow Design** - The bottom duct openings are covered when they leave the factory, ready to be used for a side supply/side return application. If a bottom supply/bottom return application is required, remove the two panels from the bottom of the unit and place them in the side supply/side return duct openings. No panel cutting is required and no accessory panel is necessary. The convertible airflow design allows for maximum field flexibility and minimum inventory.
- **Condensate Pan** - A corrosion-resistant, long-lasting, water-tight pan is positioned below the indoor coil to collect and drain all condensate, preventing build-up of stagnant condensate. The condensate pan conforms to ASHRAE 62-89 standards (Ventilation for Acceptable Indoor Air Quality).
- **Condensate Drain** - The 3/4-in. NPT female connection is rigidly mounted to ensure proper fit and leak tight seal.
- **Durable Finish** - The cabinet is made of G90 galvanized steel with a powder paint coating for appearance and protection. The pre-treated galvanized steel provides a better paint-to-steel bond, which resists corrosion and rust creep. The powder paint finish ensures less fading when exposed to sunlight, and provides superior corrosion resistance (1,000 hour salt spray tested).

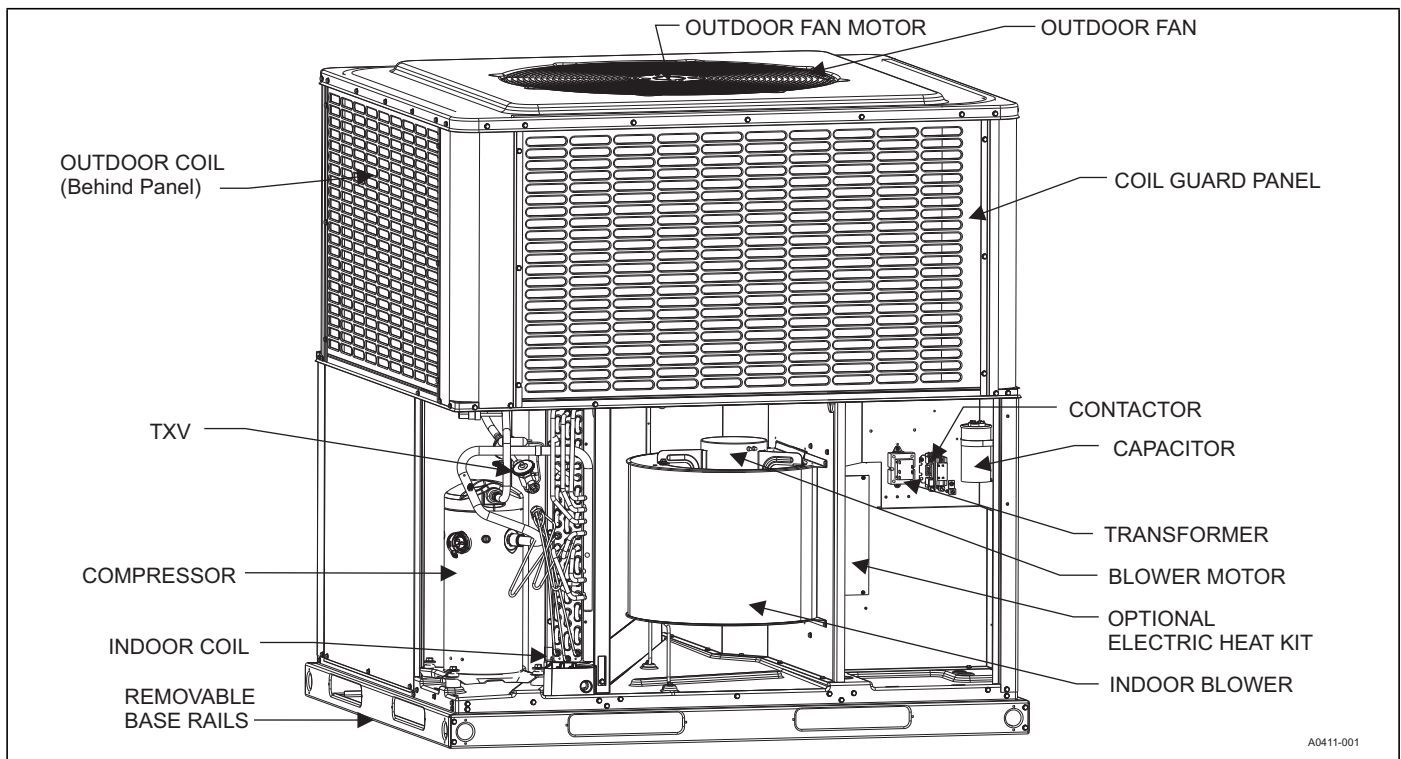
Continued on next page.

- **Full Perimeter Base Rails** - The easily removable base rails provide a solid foundation for the entire unit and protect the unit during shipment. The rails provide forklift access from all sides, and rigging holes are also provided so an overhead crane can be used to place the units on a roof. On applications where the unit is placed on a pad, the base keeps the unit off the pad to deter corrosion. On applications where height is limited, the base rails can be removed by removing 2 screws in each corner.
- **Attractive Appearance** - A single-piece top cover containing a top-discharge outdoor fan arrangement requires less square footage on installation and provides a wider variety of installations. The one-piece design adds greater water integrity. Rounded corners with water drip edges add to the attractive appearance.
- **Top Discharge** - The top-discharge outdoor fan does not disrupt neighboring areas or dry out vegetation surrounding the unit. The warm air from the top mounted fan is blown up and away from the structure and any landscaping.
- **Outdoor Coil Grille** - All models utilize a stamped slotted design that provides superior impact protection against small objects during transit and after installation.
- **Low Operating Sound Level** - The upward airflow carries the normal operating noise up and away from the living area. The rigid top panel effectively isolates noise. The isolator mounted compressor and the rippled fins of the outdoor coil muffle the normal fan motor and compressor operating sounds. The unique formed base pan also aids in sound attenuation with its structural design.
- **Fan System** - All models operate over a wide range of design conditions with a standard ECM indoor blower motor. These units easily match all types of applications and provide greater on-site flexibility to match comfort requirements. The cooling speed is factory set and can be field adjusted to a second speed. The heating speed is factory set to maintain mid point rise at the units' heating input, but can be field adjusted. This allows for maximum comfort conditions.
- **Simple Control Circuit** - Field thermostat wiring connects to color-coded leads using twist-on wire connections. Cooling controls use contactor and relays for simple application and troubleshooting. MATE-N-LOK® plug connectors are used. The electrical control box is not located in the compressor compartment. The controls are mounted to allow removal of the separate access panel for troubleshooting and maintenance without affecting the normal system operating pressures. All wiring internal to the unit is color-coded and number-coded.
- **Protected Compressor** - The compressor is internally protected against high pressure and temperature. This is accomplished by the simultaneous operation of a high pressure relief valve and a temperature sensor, which protects the compressor if undesirable operating conditions occur.
- **Pressure Switches** - A high pressure switch is standard in all units. It is an automatic reset switch. When discharge pressure reaches 650 psi, the compressor de-energizes until pressure reaches 450 psi.
- **Exclusive Coil Design** - The grooved copper tubes and enhanced aluminum fin construction of the outdoor coils improve heat transfer for maximum efficiency and durability. Indoor tube and fin coils have all aluminum construction for reliability and efficient heat transfer.
- **Electric Heat** - All electric heat models use 6HK electric heat kits, which are available in 208/230-1-60 from 5 kW to 25 kW. Most kits are stageable above 10 kW. Single-phase single-point field wiring kits are available for all applications except 25 kW.
- **Low Maintenance** - Long-life, permanently lubricated indoor blower motor bearings and outdoor fan motor bearings need no annual maintenance, adding greater reliability to the unit. The slide-out blower assembly and indoor coil assembly can be easily removed for cleaning.
- **Easy Service Access** - Individual access panels provide access to all major components, for example, compressors, indoor coils, blowers, controls/electric heat kits, and filters, making servicing easy. Removing these panels allows easy removal of components such as the blower assembly for maintenance and troubleshooting.
- **Replacement Parts** - The installer requires no special training to replace any of the components of these units. The number of new components has been reduced to minimize the inventory of unique parts.

NOMENCLATURE

PCE	4	A	24		2		4	A
1	2	3	4	5	6	7	8	9
1. Model Family PCE - packaged A/C with electric heat PHE - packaged heat pump with electric heat PCG - packaged A/C with gas heat PHG - packaged heat pump with gas heat 2. Nominal Cooling Efficiency 4 = 14 SEER, 6 = 16 SEER 3. Cabinet Size A = small 35.75 x 51.25, B = large 45.75 x 51.25 4. Nominal Air Conditioning Cooling Capacity BTU/Hr x 1000 24 = 24,000 BTU/Hr, 30 = 30,000 BTU/Hr Example: PCE4A244A is a packaged A/C with electric heat, 14 SEER, small cabinet, 2 ton, 208/230 V, single-phase model, fourth generation, original release.					5. Gas Heating Input BTU/Hr x 1000 050 = 50,000 BTU/Hr input, blank = electric heat 6. Voltage-Phase-Frequency 2 = 208/230-1-60, 3 = 208/230-3-60, 4 = 460-3-60 7. NOx Approval X = low NOx, blank = not low NOx 8. Generation Level 1 = first generation, 2 = second generation 9. Revision Level A = original release, B = second release			

COMPONENT LOCATION



UNIT LIMITATIONS

Model	Unit Voltage	Unit Limitations		
		Applied Voltage		Outdoor DB Temperature (°F)
		Minimum	Maximum	Maximum
PCE4A2424	208/230-1-60	187	252	125
PCE4A3024	208/230-1-60	187	252	125
PCE4A3624	208/230-1-60	187	252	125
PCE4A4224	208/230-1-60	187	252	125
PCE4B4824	208/230-1-60	187	252	125
PCE4B6024	208/230-1-60	187	252	125

APPLICATIONS AND ACCESSORIES

Application Limitations				
Packaged Equipment Series	Air Temperature at Outdoor Coil (°F)		Air Temperature at Indoor Coil (°F)	
	Minimum	Maximum	Minimum	Maximum
	DB Cool	DB Cool	WB Cool	WB Cool
14 SEER AC	55	125	57	72

- **Anchor Bracket Kit (S1-1HK0601)** - This kit firmly anchors PCG, PCE, PHE, and PHG packaged units to a pad or support structure. When correctly installed, the kit is approved for ground-mounted or roof-mounted applications, wind load certified, and listed with the State of Florida. See <https://floridabuilding.org> for this listing.
- **Economizer for Downflow Applications (S1-2EE04710024, S1-2EE04710124)** - The modulating integrated economizer provides simultaneous operation between the mechanical cooling and economizer operation. The independent blade design ensures proper control and less than 1% leak rate. Includes hood and mesh bird screen filter integrated into the hood, dry bulb sensor, and barometric relief damper. Separate field accessories of single/dual enthalpy kits are also available.
- **Economizer for Horizontal Applications (S1-2EE04710224, S1-2EE04710324)** - The modulating integrated economizer provides simultaneous operation between the mechanical cooling and economizer operation. The independent blade design ensures proper control and less than 1% leak rate. Includes hood and mesh bird screen filter integrated into the hood and dry bulb sensor. Separate field accessories of single enthalpy and dual enthalpy are available.
- **Barometric Relief Hood (S1-1RD0501)** - Used in conjunction with a horizontal economizer, the Barometric Relief Hood helps to equalize the building pressure that is caused by the fresh air introduced through the economizer fresh air hood.
- **Single/Dual Enthalpy Sensor (S1-HE-69630NS-2D)** - This sensor replaces the supply air temperature dry bulb sensor standard in the economizer kit. The sensor enables improved economizer operation by sensing the dry bulb temperature of indoor supply air plus the enthalpy content of the outdoor air.
- **Duct/Unit Mount CO₂ Kit (S1-2AQ04700924)** - This sensor kit detects CO₂ levels automatically and overrides the economizer when CO₂ levels rise above the preset limits.
- **Wall Mount CO₂ Kit (S1-2AQ04701024)** - This sensor kit detects CO₂ levels automatically and overrides the economizer when CO₂ levels rise above the preset limits.
- **Supply Air Temperature Sensor Kit (S1-TE-63616E-2D)** - This outdoor supply air temperature sensor kit is used with economizers.
- **Filter/Frame Kit (S1-1FF0602, S1-1FF0601)** - This kit contains the necessary hardware to field install return air filters into the base unit. The filter rack is suitable for 1-in. filters or 2-in. filters.
- **Filter (S1-02647812000)** - Washable 1-in. filter. Two filters are required for A base units. Three filters are required for B base units.
- **Motorized Fresh Air Damper (S1-2MD04705224, S1-2MD04705124)** - Designed for duct mounted side supply/return and unit mounted down supply/return applications. The damper is capable of providing 0% to 50% of outdoor air (field supplied). Closes on power loss, and includes hood and screen assembly.
- **Rectangle to Round (Horizontal) Adapter (S1-1AK0110, S1-1AK0111)** - This kit includes one supply and one return air rectangle to round duct adapter. Adapters are preformed and designed to fit over current horizontal duct openings on the base unit. Transition is from rectangle to 12 in. round for the 1AK0110 kit and from rectangle to 14 in. round for the 1AK0111 kit.
- **Rectangle to Round (Downflow) Adapter (S1-1AK0108, S1-1AK0109)** - This kit includes one supply and one return air rectangle to round duct adapter. Adapters are preformed and designed to fit into current downflow duct openings on the roof curb. Transition is from rectangle to 16 in. round for the 1AK0108 kit and from rectangle to 18 in. round for the 1AK0109 kit.
- **Roof Curbs (S1-1RC0503, S1-1RC0501)** - NRCA approved curbs provide proper fit to the base unit for rooftop installations. Curbs are designed to be assembled through hinge pins in each corner. The kit also provides seal strip to ensure an air tight seal. These are 8-inch high roof curbs.
- **Roof Curbs (S1-1RC0504, S1-1RC0502)** - NRCA approved curbs provide proper fit to the base unit for rooftop installations. Curbs are designed for assembly through hinge pins in each corner. The kit also provides seal strip to ensure an air tight seal. These are 14-inch high roof curbs.
- **Transition Curb Kits (S1-1TC01*)** - These adapter kits allow field use of pre-existing installed roof curbs, matching the PCE4 footprint to Affinity roof curbs or Carrier, Trane, or Goodman roof curbs. Curb adapters are optional for current generation Carrier replacements, but are recommended for previous generation applications. Refer to the PCE4 price pages for more details.
- **Manual Outdoor Damper (S1-1FA0502, S1-1FA0501)** - The damper provides 0% to 50% outdoor air capability (field adjustable). Designed for duct mounted side supply/return applications and unit mounted down supply/return applications. Includes hood and screen assembly.
- **Transformer Kit (S1-2EC06700124)** - This kit provides the necessary hardware to change single-phase models from the factory with 40-VA transformer capability to 75-VA transformer capability. Required on installations with an economizer or motorized damper.
- **Loss of Charge Switch (S1-2LC00024)** - This kit provides loss of charge switch and wiring to provide safe shutdown of the compressor.
- **Low Ambient Kit (S1-2LA04701024)** - This kit provides the necessary hardware to convert the unit to operate in cooling cycle down to 0°F. Standard unit operation is 55°F.
- **Base Rail Hole Cover Kit (S1-1HC0101)** - This kit provides the necessary hardware to close off openings in base rails to block off openings and prevent animal entrance.
- **Single-Point Wiring Kits for 6HK Electric Heat Applications (S1-SPWK*)** - These kits provide a field option for connecting electrical power supplies to the field-installed 6HK kits to allow single-point connections for single-phase electric heat applications, with the exception of 25 kW kits.
- **Thermostat** - Compatible thermostat controls are available through accessory sourcing. For optimum performance, these outdoor units are fully compatible with our residential Hx™ Touch Screen Thermostat available through Source 1. For more information, refer to the *Thermostats & Controllers* section of the *Offering Catalog*.
- **Wall Thermostat** - The units are designed to operate with standard, 24-V electronic non power stealing and electromechanical thermostats. All units can operate with single-stage heat/single-stage cool thermostats - with or without the economizer.

* For additional kit numbers refer to the price pages.

GUIDE SPECIFICATIONS

GENERAL

Units shall be manufactured by Ducted Systems in an ISO 9001 certified facility. These packaged cooling and heating air conditioners are designed for outdoor installation. Only utility and duct connections are required at the point of installation. Air conditioning units provide electric cooling and electric heating, with field-installed electric heat kits from 5 kW to 25 kW for heating operation.

DESCRIPTION

Units shall be factory-assembled, single packaged, air conditioners with electric cooling/electric heating units, designed for outdoor installation. They shall have built-in, equal size, field convertible duct connections for supply/return or horizontal supply/return. The units shall be factory wired, piped, charged with R-410A refrigerant, and factory tested before shipment. All models shall be rated in accordance with DOE and AHRI test procedures for both heating and cooling operation. Units shall be CSA listed to the UL 1995/CAN/CSA No. 236-M90 standards.

- **Operating Efficiency** - All models shall be rated at a minimum of 14.0 SEER for cooling and heating operation rated in accordance with DOE requirements.
- **Low Operating Sound Level** - The upward airflow carries the normal operating noise up and away from the living area. The rigid top panel effectively isolates noise. The isolator mounted compressor and the rippled fins of the outdoor coil muffle the normal fan motor and compressor operating sounds. The unique formed base pan also aids in sound attenuation with its structural design. Sound ratings as tested under AHRI test procedures shall be less than 77 db(A) for all models.

UNIT CABINET

The unit cabinet shall be a single-piece design, with drip edges and no-seam corners to provide optimum water integrity. The unit shall have a rigidly mounted outdoor coil guard to provide protection from objects and personnel after installation. The indoor blower section shall be insulated with foil-faced or foam insulation, fastened to prevent insulation from entering the air stream. The cabinet panels shall be separate and easily removable for servicing and maintenance. The unit shall be built on a formed, design base pan, with embossments at critical points to add strength and rigidity and aid in minimizing sound. Full perimeter base rails shall be provided to ensure reliable transit of equipment and facilitate overhead rigging, allowing truck access and proper sealing on roof curb applications. Base rails shall be easily removable if their removal is required to lower the unit height. Filters shall be field installed, furnished, and accessible through a removable access door, sealed airtight. The unit's vertical discharge and return duct configuration shall be designed to fit between standard 24-in. O.C. beams without modification to the building structure, duct work, and base unit.

- **Durable Finish** - The cabinet shall be made of G90 galvanized steel with a powder paint coating for appearance and protection. The pre-treated galvanized steel shall provide a better paint-to-steel bond, which resists corrosion and rust creep. The powder paint finish shall provide superior corrosion resistance (1,000 hour salt spray tested).

- **On-Site Flexibility** - All model sizes shall use a compact design cabinet in one of two footprints. This provides installer flexibility for placing the proper capacity unit on curbs or pads with the smallest footprint after the internal load has been determined. Field convertible duct connections from side shot to down shot allow the installer to have greater flexibility with less inventory.
- **Attractive Appearance** - A single-piece top cover containing a top-discharge outdoor fan arrangement shall be used. This requires less square footage on installation and provides a wider variety of installations. The one-piece design adds greater water integrity. Rounded corners with water drip edges add to the attractive appearance and prevent water penetration.
- **Convertible Airflow Design** - The bottom duct openings are covered when they leave the factory, ready to be used for a side supply/side return application. If a bottom supply/bottom return application is required, remove the two panels from the bottom of the unit and place them in the side supply/side return duct openings. No panel cutting is required and no accessory panel is necessary. The convertible airflow design allows for maximum field flexibility and minimum inventory.
- **Utility Connections Made Easy** - Electric utility access shall be provided through the bottom or the side of the unit. Utility connections must be made quickly and with a minimum amount of field labor. A field-supplied and field-installed electrical disconnect switch must be installed.
- **Easy Service Access** - Individual access panels provide access to all major components, for example, compressors, indoor coils, blowers, controls/electric heat kits, and filters, making servicing easy. Removing these panels allows easy removal of components such as the blower assembly for maintenance and ease of troubleshooting.
- **Top Discharge** - The top-discharge outdoor fan does not disrupt neighboring areas or dry out vegetation surrounding the unit. The warm air from the top mounted fan is blown up and away from the structure and any landscaping.
- **Outdoor Coil Grille** - All models utilize a stamped slotted design that provides superior impact protection against small objects during transit and after installation.

Indoor Blower Assembly - The blower shall be a direct drive design. The blower wheel shall be a double-inlet type with forward-curved blades, dynamically balanced to operate smoothly throughout the entire range of operation. The airflow design shall be constant air volume. Bearings shall be sealed and permanently lubricated for longer life and no maintenance. The blower assembly shall be a slide-out design for easy removal and cleaning. Indoor blower motors shall be equipped with a standard high efficiency brushless DC motor (constant torque), also known as a standard ECM motor.

Outdoor Fan Assembly - The outdoor fan shall be a direct-driven propeller type, discharge air vertically, have aluminum blades riveted to a corrosion resistant steel spider bracket, and be statically balanced for smooth operation. The outdoor fan motor shall be totally enclosed with permanently lubricated bearings and internally protected against overload conditions.

REFRIGERANT COMPONENTS

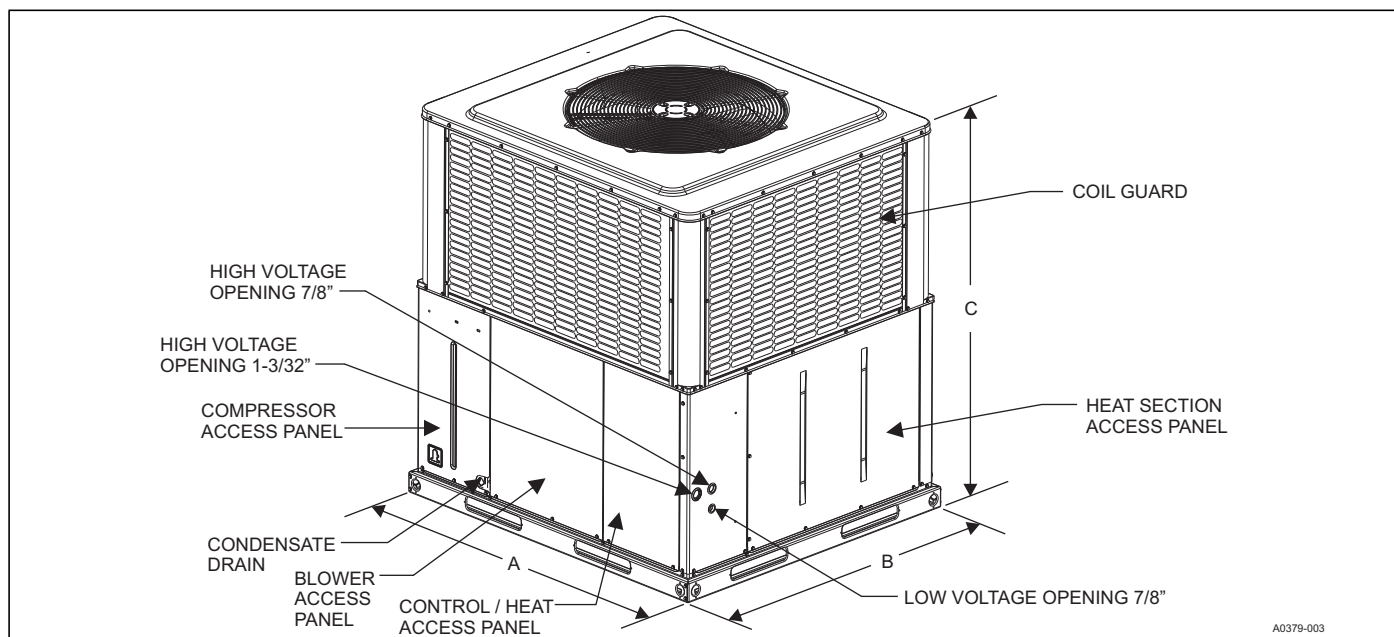
- **Protected Compressor** - The compressor shall be a fully hermetic type, direct drive compressor, that is internally protected against high pressure and temperature. This is accomplished by the simultaneous operation of a high pressure relief valve and a temperature sensor, which protects the compressor if undesirable operating conditions occur. The hermetic motor shall be suction gas cooled and have a voltage range of +/- 10% of the unit nameplate voltage. Compressors shall have internal isolation and sound muffling to minimize vibration and noise, and be externally isolated on a dedicated, independent mounting.
- **Indoor Coils** - Indoor coils shall be a direct expansion, draw through design and have aluminum plate fins mechanically bonded to seamless internally enhanced aluminum tubes with all joints brazed.
- **Condensate Pan** - A corrosion-resistant, long-lasting, water-tight pan is positioned below the indoor coil to collect and drain all condensate, preventing build-up of stagnant condensate. The condensate pan conforms to ASHRAE 62-89 standards (Ventilation for Acceptable Indoor Air Quality).
- **Condensate Drain** - The 3/4-in. NPT female connection is rigidly mounted to ensure proper fit and leak tight seal.
- **Outdoor Coils** - Outdoor coils shall have aluminum plate fins mechanically bonded to seamless internally enhanced copper tubes with all joints brazed, and be a draw through design.
- **Refrigerant Circuit and Refrigerant Safety Components shall include the following:**
 - Thermal expansion valve (TXV) that is factory mounted and provided
 - Filter/strainer to eliminate any foreign matter
 - Reversing valves to control refrigerant flow

CONTROLS

- **Simple Control Circuit** - Field thermostat wiring connects to color-coded leads using twist-on wire connections. Cooling controls use contactor and relays for simple application and troubleshooting. MATE-N-LOK plug connectors are used. The electrical control box is not located in the compressor compartment. The controls are mounted to allow removal of the separate access panel for troubleshooting and maintenance without affecting the normal system operating pressures. All wiring internal to the unit is color-coded and number-coded.
- **Pressure Switches** - A high pressure switch is standard in all units. It is an automatic reset switch. When discharge pressure reaches 650 psi, the compressor de-energizes until pressure reaches 450 psi.
- **Factory Testing** - Installation time and costs are reduced by easy power and control wiring connections. All units are completely wired, charged with R-410A, and tested before shipment. Test stations using a state-of-the-art computerized process system shall be used to ensure product quality. Refrigerant charge and component part numbers are verified using computer bar code scans during assembly. Vital run test statistics such as system pressure, motor currents, air velocity and temperature, unit vibration, and gas system safeties are monitored and recorded by the system to ensure unit performance. This data could be provided by serial number tracking if requested.
- **Electric Heat** - All electric heat models use 6HK electric heat kits, which are available in 208/230-1-60 from 5 kW to 25 kW. Most kits are stageable above 10 kW. Single-point accessory kits are available for single-phase models. Single-phase single-point field wiring kits are available for all applications except 25 kW. Electric heat kits must be certified to UL 1995 standard requirements.

PHYSICAL DATA

NOMINAL TONNAGE	MODELS					
	PCE4A24	PCE4A30	PCE4A36	PCE4A42	PCE4B48	PCE4B60
	2.0	2.5	3.0	3.5	4.0	5.0
AHRI Cooling Performance						
Gross Capacity at AHRI A Point (MBH)	23.9	29.7	36.6	42.5	49.2	58.2
AHRI Net Capacity (MBH)	23.6	29.2	35.8	41.5	48.0	56.5
EER	11.0	12.3	11.8	11.2	11.2	11.2
SEER	14.0	14.0	14.0	14.0	14.0	14.0
Nominal CFM	775	970	1165	1350	1560	1810
System Power (kW)	2.1	2.4	3.0	3.7	4.3	5.0
Refrigerant Type	R-410A	R-410A	R-410A	R-410A	R-410A	R-410A
Refrigerant Charge (lb-oz)	3-10	6-10	6-14	7-0	7-14	10-2
Dimensions (in.)						
Length	51 1/4	51 1/4	51 1/4	51 1/4	51 1/4	51 1/4
Width	35 3/4	35 3/4	35 3/4	35 3/4	45 3/4	45 3/4
Height	44	45	47	47	47	50
Operating Weight (lb)	307	343	350	369	431	450
Compressors						
Type	Scroll	Scroll	Scroll	Scroll	Scroll	Scroll
Outdoor Coil Data						
Face Area (sq. ft)	12.3	13.8	15.3	15.3	17.5	21.1
Rows	1	2	2	2	2	2
Fins per Inch	22	22	22	22	22	22
Tube Diameter (mm)	7	7	7	7	7	7
Circuitry Type	Straight	Interlaced	Interlaced	Interlaced	Interlaced	Interlaced
Indoor Coil Data						
Face Area (sq. ft)	4.6	4.6	4.6	4.6	6.2	6.2
Rows	2	2	3	3	3	4
Fins per Inch	16	16	16	16	16	16
Tube Diameter (in.)	3/8	3/8	3/8	3/8	3/8	3/8
Circuitry Type	Interlaced	Interlaced	Interlaced	Interlaced	Interlaced	Interlaced
Refrigerant Control	TXV	TXV	TXV	TXV	TXV	TXV
Outdoor Fan Data						
Fan Diameter (in.)	24	24	24	24	26	26
Type	Prop	Prop	Prop	Prop	Prop	Prop
Drive Type	Direct	Direct	Direct	Direct	Direct	Direct
Number of Speeds	1	1	1	1	1	1
Motor HP each	1/8	1/8	1/3	1/3	1/3	1/3
RPM	790	790	850	850	850	850
Nominal Total CFM	2400	2400	2400	2400	3200	3200
Direct Drive Indoor Blower Data						
Blower Size (in.)	11 x 8	11 x 8	11 x 10	11 x 10	11 x 10	11 x 10
Type	Centrifugal	Centrifugal	Centrifugal	Centrifugal	Centrifugal	Centrifugal
Motor HP each	1/2	1/2	1/2	3/4	3/4	1
RPM	1400 Max	1400 Max	1400 Max	1400 Max	1400 Max	1400 Max
Frame Size	48	48	48	48	48	48
Filters						
Filter Size	A	A	A	A	B	B
Quantity - Size	Field-supplied external filters must be sized so as not to exceed 300 fpm air velocity through disposable filters. For internal filter use, a filter rack kit is available. Refer to the instructions supplied with the kit for replacement filter sizes. Filter sizes: A = 20 in. x 20 in., B = 20 in. x 30 in.					



UNIT DIMENSIONS AND ACCESS LOCATIONS

Model	Dimensions (in.)		
	A	B	C
PCE4A2424	51 1/4	35 3/4	44
PCE4A3024	51 1/4	35 3/4	45
PCE4A3624	51 1/4	35 3/4	47
PCE4A4224	51 1/4	35 3/4	47
PCE4B4824	51 1/4	45 3/4	47
PCE4B6024	51 1/4	45 3/4	50

UNIT CLEARANCES

Direction	Distance (in.)	Direction	Distance (in.)
Top ¹	36	Right Side	36
Side Opposite Ducts	36	Left Side	24
Duct Panel	0	Bottom ^{2,3}	1

1. Provide a minimum clearance of 1 in. on all sides of the supply air duct for the first 3 ft of the duct for 20 and 25 kW heaters (0 in. thereafter). For all other heaters, make sure that there is 0-in. clearance on all sides for the entire length of the supply air duct.
 2. Install units outdoors. Make sure that overhanging structures or shrubs do not obstruct the outdoor air discharge outlet.
 3. You can install units on combustible materials made from wood or class A, B, or C roof covering materials if factory base rails are left in place as shipped.
- Note:** For units installed on a roof curb, you can reduce the minimum clearance between combustible roof curb material and the supply air duct from 1 in. to 1/2 in.

ELECTRIC HEAT MINIMUM SUPPLY AIR

Model	Voltage	Minimum Blower Speed for Electric Heat					
		Heater kW					
		5	8	10	15	20	25
PCE4A24	208/230-1-60	Medium High (4)	Medium High (4)	Medium High (4)	--	--	--
PCE4A30	208/230-1-60	Medium Low (2)	Medium High (4)	Medium High (4)	Medium High (4)	--	--
PCE4A36	208/230-1-60	Medium Low (2)	Medium Low (2)	Medium High (4)	Medium High (4)	--	--
PCE4A42	208/230-1-60	Medium Low (2)	Medium Low (2)	Medium Low (2)	High (5)	High (5)	--
PCE4B48	208/230-1-60	Medium Low (2)	Medium Low (2)	Medium Low (2)	Medium High (4)	Medium High (4)	--
PCE4B60	208/230-1-60	Medium Low (2)	Medium Low (2)	Medium (3)	Medium (3)	Medium High (4)	Medium High (4)

INDOOR BLOWER SPECIFICATIONS

Model	Motor				
	HP	RPM	EFF.	SF	Frame
PCE4A2424	1/2	Variable	0.8	1.0	48
PCE4A3024	1/2	Variable	0.8	1.0	48
PCE4A3624	1/2	Variable	0.8	1.0	48
PCE4A4224	3/4	Variable	0.8	1.0	48
PCE4B4824	3/4	Variable	0.8	1.0	48
PCE4B6024	1	Variable	0.8	1.0	48

SOUND PERFORMANCE

Model (Tons)	Sound Rating ¹ dB(A)	Octave Band Centerline Frequency (Hz)						
		125	250	500	1000	2000	4000	8000
PCE4A2424	70	74.2	67.8	68.1	67	59	54.9	50.1
PCE4A3024	72	70.5	71.5	70.1	66.2	64.2	57.1	51.3
PCE4A3624	76	78.7	71.9	73.8	72.5	66.1	61.2	55.0
PCE4A4224	76	80.5	72.9	74.3	72	67	64.2	59.2
PCE4B4824	72	76.2	69.4	67.8	69	63	61.0	55.0
PCE4B6024	73	76.6	70.4	68.2	69	64	62.4	56.7

1. Rated in accordance with AHRI Standard 270.

ELECTRICAL DATA FOR 208/230-1-60 SINGLE SOURCE POWER

Model	Compressor			OD Fan Motor FLA	Blower Motor FLA	Electric Heat Option					MCA ¹ (Amps)		Max Fuse ² or Breaker ³ Size		
	RLA	LRA	MCC			Heater Kit ⁴		Stages	Heater Amps		208	230	208	230	
				208	230	208	230								
PCE4A2424	10.8	55.0	16.8	0.8	3.8	none	--	--	--	--	--	18.1	18.1	25	25
						6HK16500506	3.6	4.4	1	17.3	19.2	26.4	28.7	30	30
						6HK16500806	5.8	7.1	1	27.7	30.7	39.4	43.1	40	45
						6HK16501006	7.2	8.8	1	34.7	38.3	48.1	52.7	50	60
PCE4A3024	12.3	63.0	19.2	0.8	3.8	none	--	--	--	--	--	20.0	20.0	30	30
						6HK16500506	3.6	4.4	1	17.3	19.2	26.4	28.7	30	30
						6HK16500806	5.8	7.1	1	27.7	30.7	39.4	43.1	40	45
						6HK16501006	7.2	8.8	1	34.7	38.3	48.1	52.7	50	60
						6HK16501506	10.8	13.2	2	52.0	57.5	69.8	76.6	70	80
PCE4A3624	14.7	75.0	22.9	1.7	3.8	none	--	--	--	--	--	23.9	23.9	35	35
						6HK16500506	3.6	4.4	1	17.3	19.2	26.4	28.7	35	35
						6HK16500806	5.8	7.1	1	27.7	30.7	39.4	43.1	40	45
						6HK16501006	7.2	8.8	1	34.7	38.3	48.1	52.7	50	60
						6HK16501506	10.8	13.2	2	52.0	57.5	69.8	76.6	70	80
PCE4A4224	15.9	112.3	24.8	1.7	5.4	none	--	--	--	--	--	27.0	27.0	40	40
						6HK16500506	3.6	4.4	1	17.3	19.2	28.4	30.7	40	40
						6HK16500806	5.8	7.1	1	27.7	30.7	41.4	45.1	45	50
						6HK16501006	7.2	8.8	1	34.7	38.3	50.1	54.7	60	60
						6HK16501506	10.8	13.2	2	52.0	57.5	71.8	78.6	80	80
						6HK16502006	14.4	17.6	2	69.3	76.7	93.4	102.6	100	110
PCE4B4824	18.3	108.0	28.5	1.7	5.4	none	--	--	--	--	--	30.0	30.0	45	45
						6HK16500506	3.6	4.4	1	17.3	19.2	30.0	30.7	45	45
						6HK16500806	5.8	7.1	1	27.7	30.7	41.4	45.1	45	50
						6HK16501006	7.2	8.8	1	34.7	38.3	50.1	54.7	60	60
						6HK16501506	10.8	13.2	2	52.0	57.5	71.8	78.6	80	80
						6HK16502006	14.4	17.6	2	69.3	76.7	93.4	102.6	100	110

Table continued on next page

ELECTRICAL DATA FOR 208/230-1-60 SINGLE SOURCE POWER (Continued)

Model	Compressor			OD Fan Motor	Blower Motor	Electric Heat Option					MCA ¹ (Amps)		Max Fuse ² or Breaker ³ Size		
	RLA	LRA	MCC			FLA	FLA	Heater Kit ⁴	Heater kW		Stages	Heater Amps		208	230
				208	230				208	230					
PCE4B6024	22.2	127.9	34.7	1.7	7.0	none	--	--	--	--	--	36.5	36.5	50	50
						6HK16500506	3.6	4.4	1	17.3	19.2	36.5	36.5	50	50
						6HK16500806	5.8	7.1	1	27.7	30.7	43.4	47.1	50	50
						6HK16501006	7.2	8.8	1	34.7	38.3	52.1	56.7	60	60
						6HK16501506	10.8	13.2	2	52.0	57.5	73.8	80.6	80	90
						6HK16502006	14.4	17.6	2	69.3	76.7	95.4	104.6	100	110

1. Minimum Circuit Ampacity.
2. Maximum Overcurrent Protection per standard UL 1995.
3. Fuse or HACR circuit breaker is field installed.
4. Single Point Connection Kit required.

ELECTRICAL DATA FOR 208-1-60 MULTI SOURCE POWER - PCE4

Model	Compressor			OD Fan Motor	Blower Motor	Electric Heat Option				Multi Source							
	RLA	LRA	MCC			FLA	FLA	Heater Kit	Heater kW	Stages	Heater Amps	Multi Source					
				208	208							208	208	208	208	208	208
Multi Source: Compressor Circuit and Heat Circuits						Multi Source:	Circuit 1 Compressor Circuit			MCA¹ (A)	MOP²	MCA¹ (A)	MOP²	MCA¹ (A)	MOP²	MCA¹ (A)	MOP²
							Circuit 2 Heat										
							Circuit 3 Heat										
							Circuit 4 Heat										
A24	10.8	55.0	16.8	0.8	3.8	none	--	--	--	18.1	25	--	--	--	--	--	
						6HK(0,1)6500506	3.6	1	17.3	18.1	25	21.7	25	--	--	--	--
						6HK(0,1)6500806	5.8	1	27.7	18.1	25	34.7	35	--	--	--	--
						6HK(0,1)6501006	7.2	1	34.7	18.1	25	43.3	45	--	--	--	--
A30	12.3	63.0	19.2	0.8	3.8	none	--	--	--	20.0	30	--	--	--	--	--	
						6HK(0,1)6500506	3.6	1	17.3	20.0	30	21.7	25	--	--	--	--
						6HK(0,1)6500806	5.8	1	27.7	20.0	30	34.7	35	--	--	--	--
						6HK(0,1)6501006	7.2	1	34.7	20.0	30	43.3	45	--	--	--	--
						6HK16501506	10.8	2	52.0	20.0	30	21.7	25	43.3	45	--	--
						6HK26501506	10.8	2	52.0	20.0	30	65.0	70	--	--	--	--
A36	14.7	75.0	22.9	1.7	3.8	none	--	--	--	23.9	35	--	--	--	--	--	
						6HK(0,1)6500506	3.6	1	17.3	23.9	35	21.7	25	--	--	--	--
						6HK(0,1)6500806	5.8	1	27.7	23.9	35	34.7	35	--	--	--	--
						6HK(0,1)6501006	7.2	1	34.7	23.9	35	43.3	45	--	--	--	--
						6HK16501506	10.8	2	52.0	23.9	35	21.7	25	43.3	45	--	--
						6HK26501506	10.8	2	52.0	23.9	35	65.0	70	--	--	--	--
A42	15.9	112.3	24.8	1.7	5.4	none	--	--	--	27.0	40	--	--	--	--	--	
						6HK(0,1)6500506	3.6	1	17.3	27.0	40	21.7	25	--	--	--	--
						6HK(0,1)6500806	5.8	1	27.7	27.0	40	34.7	35	--	--	--	--
						6HK(0,1)6501006	7.2	1	34.7	27.0	40	43.3	45	--	--	--	--
						6HK16501506	10.8	2	52.0	27.0	40	21.7	25	43.3	45	--	--
						6HK16502006	14.4	2	69.3	27.0	40	43.3	45	43.3	45	--	--
						6HK26501506	10.8	2	52.0	27.0	40	65.0	70	--	--	--	--
						6HK26502006	14.4	2	69.3	27.0	40	86.7	90	--	--	--	--

Table continued on next page

ELECTRICAL DATA FOR 208-1-60 MULTI SOURCE POWER - PCE4 (Continued)

Model	Compressor			OD Fan Motor	Blower Motor	Electric Heat Option				Multi Source							
						Heater Kit	Heater kW	Stages	Heater Amps								
	RLA	LRA	MCC	FLA	FLA		208			208		208		208		208	
Multi Source: Compressor Circuit and Heat Circuits						Multi Source:	Circuit 1 Compressor Circuit	MCA ¹ (A)	MOP ²	MCA ¹ (A)	MOP ²	MCA ¹ (A)	MOP ²	MCA ¹ (A)	MOP ²		
							Circuit 2 Heat										
							Circuit 3 Heat										
							Circuit 4 Heat									Circuit 1	Circuit 2
B48	18.3	108.0	28.5	1.7	5.4	none	--	--	--	30.0	45	--	--	--	--	--	--
						6HK(0,1)6500506	3.6	1	17.3	30.0	45	21.7	25	--	--	--	--
						6HK(0,1)6500806	5.8	1	27.7	30.0	45	34.7	35	--	--	--	--
						6HK(0,1)6501006	7.2	1	34.7	30.0	45	43.3	45	--	--	--	--
						6HK16501506	10.8	2	52.0	30.0	45	21.7	25	43.3	45	--	--
						6HK16502006	14.4	2	69.3	30.0	45	43.3	45	43.3	45	--	--
						6HK26501506	10.8	2	52.0	30.0	45	65.0	70	--	--	--	--
						6HK26502006	14.4	2	69.3	30.0	45	86.7	90	--	--	--	--
B60	22.2	127.9	34.7	1.7	7.0	none	--	--	--	36.5	50	--	--	--	--	--	--
						6HK(0,1)6500506	3.6	1	17.3	36.5	50	21.7	25	--	--	--	--
						6HK(0,1)6500806	5.8	1	27.7	36.5	50	34.7	35	--	--	--	--
						6HK(0,1)6501006	7.2	1	34.7	36.5	50	43.3	45	--	--	--	--
						6HK16501506	10.8	2	52.0	36.5	50	21.7	25	43.3	45	--	--
						6HK16502506	18.0	2	86.7	36.5	50	43.3	45	43.3	45	21.7	25
						6HK26501506	10.8	2	52.0	36.5	50	65.0	70	--	--	--	--
						6HK26502006	14.4	2	69.3	36.5	50	86.7	90	--	--	--	--
6HK26502506	18.0	2	86.7	36.5	50	108.3	110	--	--	--	--						

- 1. MCA = Minimum Circuit Ampacity.
- 2. MOP = Maximum Overcurrent Protection device. Must be HACR type circuit breaker or time delay fuse.

ELECTRICAL DATA FOR 230-1-60 MULTI SOURCE POWER - PCE4

Model	Compressor			OD Fan Motor	Blower Motor	Electric Heat Option				Multi Source							
						Heater Kit	Heater kW	Stages	Heater Amps								
	RLA	LRA	MCC	FLA	FLA		230			230		230		230		230	
Multi Source: Compressor Circuit and Heat Circuits						Multi Source:	Circuit 1 Compressor Circuit	MCA ¹ (A)	MOP ²	MCA ¹ (A)	MOP ²	MCA ¹ (A)	MOP ²	MCA ¹ (A)	MOP ²		
							Circuit 2 Heat										
							Circuit 3 Heat										
							Circuit 4 Heat									Circuit 1	Circuit 2
A24	10.8	55.0	16.8	0.8	3.8	none	--	--	--	18.1	25	--	--	--	--	--	--
						6HK(0,1)6500506	4.4	1	19.2	18.1	25	24.0	25	--	--	--	--
						6HK(0,1)6500806	7.1	1	30.7	18.1	25	38.3	40	--	--	--	--
						6HK(0,1)6501006	8.8	1	38.3	18.1	25	47.9	50	--	--	--	--
						6HK16501506	13.2	2	57.5	20.0	30	24.0	25	47.9	50	--	--
A30	12.3	63.0	19.2	0.8	3.8	none	--	--	--	20.0	30	--	--	--	--	--	--
						6HK(0,1)6500506	4.4	1	19.2	20.0	30	24.0	25	--	--	--	--
						6HK(0,1)6500806	7.1	1	30.7	20.0	30	38.3	40	--	--	--	--
						6HK(0,1)6501006	8.8	1	38.3	20.0	30	47.9	50	--	--	--	--
						6HK16501506	13.2	2	57.5	20.0	30	24.0	25	47.9	50	--	--
6HK26501506	13.2	2	57.5	20.0	30	71.9	80	--	--	--	--						
A36	14.7	75.0	22.9	1.7	3.8	none	--	--	--	23.9	35	--	--	--	--	--	--
						6HK(0,1)6500506	4.4	1	19.2	23.9	35	24.0	25	--	--	--	--
						6HK(0,1)6500806	7.1	1	30.7	23.9	35	38.3	40	--	--	--	--
						6HK(0,1)6501006	8.8	1	38.3	23.9	35	47.9	50	--	--	--	--
						6HK16501506	13.2	2	57.5	23.9	35	24.0	25	47.9	50	--	--
6HK26501506	13.2	2	57.5	23.9	35	71.9	80	--	--	--	--						

Table continued on next page

ELECTRICAL DATA FOR 230-1-60 MULTI SOURCE POWER - PCE4 (Continued)

Model	Compressor			OD Fan Motor	Blower Motor	Electric Heat Option			Multi Source								
	RLA	LRA	MCC	FLA	FLA	Heater Kit	Heater kW	Stages	Heater Amps	230	230	230	230	230	230	230	
							230		230								
Multi Source: Compressor Circuit and Heat Circuits						Multi Source:	Circuit 1 Compressor Circuit			MCA ¹ (A)	MOP ²	MCA ¹ (A)	MOP ²	MCA ¹ (A)	MOP ²	MCA ¹ (A)	MOP ²
							Circuit 2 Heat										
							Circuit 3 Heat			Circuit 1	Circuit 2	Circuit 3	Circuit 4				
							Circuit 4 Heat										
A42	15.9	112.3	24.8	1.7	5.4	none	--	--	--	27.0	40	--	--	--	--	--	
						6HK(0,1)6500506	4.4	1	19.2	27.0	40	24.0	25	--	--	--	--
						6HK(0,1)6500806	7.1	1	30.7	27.0	40	38.3	40	--	--	--	--
						6HK(0,1)6501006	8.8	1	38.3	27.0	40	47.9	50	--	--	--	--
						6HK16501506	13.2	2	57.5	27.0	40	24.0	25	47.9	50	--	--
						6HK16502006	17.6	2	76.7	27.0	40	47.9	50	47.9	50	--	--
						6HK26501506	13.2	2	57.5	27.0	40	71.9	80	--	--	--	--
B48	18.3	108.0	28.5	1.7	5.4	none	--	--	--	30.0	45	--	--	--	--	--	
						6HK(0,1)6500506	4.4	1	19.2	30.0	45	24.0	25	--	--	--	--
						6HK(0,1)6500806	7.1	1	30.7	30.0	45	38.3	40	--	--	--	--
						6HK(0,1)6501006	8.8	1	38.3	30.0	45	47.9	50	--	--	--	--
						6HK16501506	13.2	2	57.5	30.0	45	24.0	25	47.9	50	--	--
						6HK16502006	17.6	2	76.7	30.0	45	47.9	50	47.9	50	--	--
						6HK26501506	13.2	2	57.5	30.0	45	71.9	80	--	--	--	--
B60	22.2	127.9	34.7	1.7	7.0	none	--	--	--	36.5	50	--	--	--	--	--	
						6HK(0,1)6500506	4.4	1	19.2	36.5	50	24.0	25	--	--	--	--
						6HK(0,1)6500806	7.1	1	30.7	36.5	50	38.3	40	--	--	--	--
						6HK(0,1)6501006	8.8	1	38.3	36.5	50	47.9	50	--	--	--	--
						6HK16501506	13.2	2	57.5	36.5	50	24.0	25	47.9	50	--	--
						6HK16502506	22.0	2	95.8	36.5	50	47.9	50	47.9	50	24.0	25
						6HK26501506	13.2	2	57.5	36.5	50	71.9	80	--	--	--	--
6HK26502006	17.6	2	76.7	36.5	50	95.8	100	--	--	--	--						
						6HK26502506	22.0	2	95.8	36.5	50	119.8	125	--	--	--	--

- 1. MCA = Minimum Circuit Ampacity.
- 2. MOP = Maximum Overcurrent Protection device. Must be HACR type circuit breaker or time delay fuse.

ELECTRIC HEAT PERFORMANCE DATA: 208/230-1-60

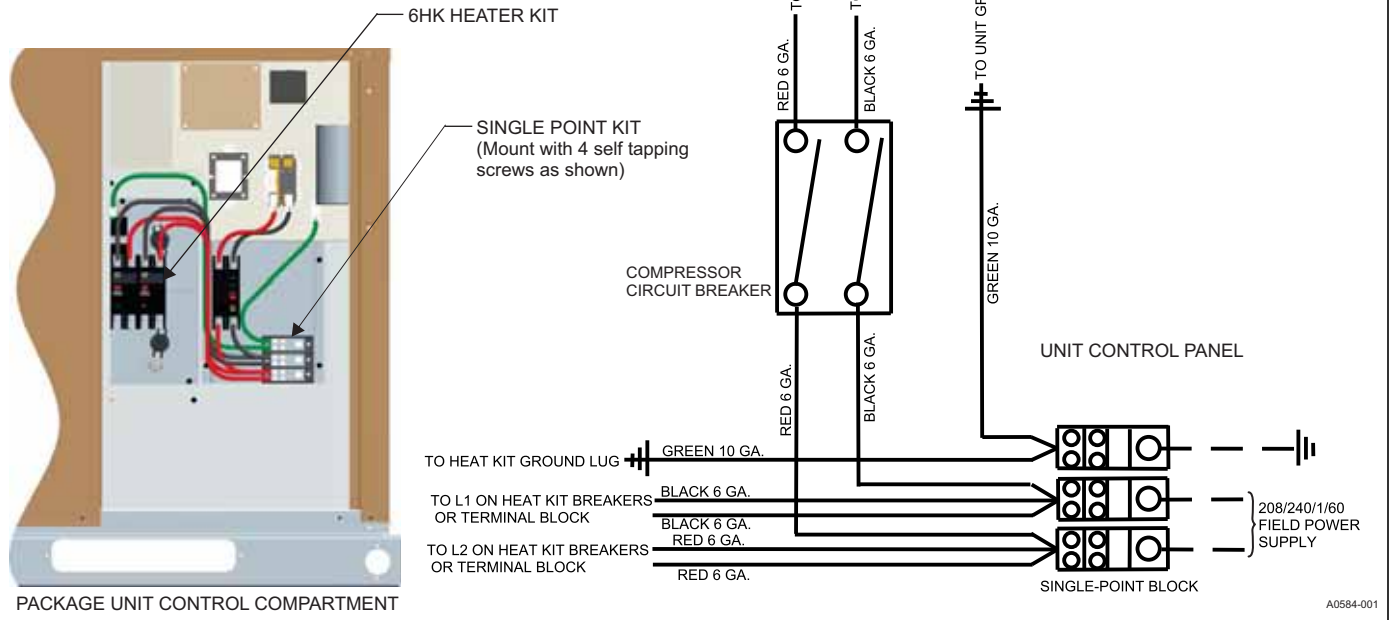
Heater Models ^{1,2}	Nominal kW at 240 V	Total Heat				kW Staging			
		kW		MBH		W1 Only		W1 + W2	
		208 V	230 V	208 V	230 V	208 V	230 V	208 V	230 V
6HK(0,1)6500506	4.8	3.6	4.4	12.3	15	3.6	4.4	3.6	4.4
6HK(0,1)6500806	7.7	5.8	7.1	19.7	24.1	5.8	7.1	5.8	7.1
6HK(0,1)6501006	9.6	7.2	8.8	24.6	30.1	7.2	8.8	7.2	8.8
6HK(1,2)6501506	14.4	10.8	13.2	36.9	45.1	3.6	4.4	10.8	13.2
6HK(1,2)6502006	19.2	14.4	17.6	49.2	60.2	7.2	8.8	14.4	17.6
6HK(1,2)6502506	24.0	18.0	22.0	61.5	75.2	7.2	8.8	18	22

- 1. (0,1): 0 = no service disconnect or 1 = with service disconnect.
- 2. (1,2): 1 = with service disconnect, no breaker jumper bar or 2 = with service disconnect and breaker jumper bar.

SINGLE-POINT WIRING KITS

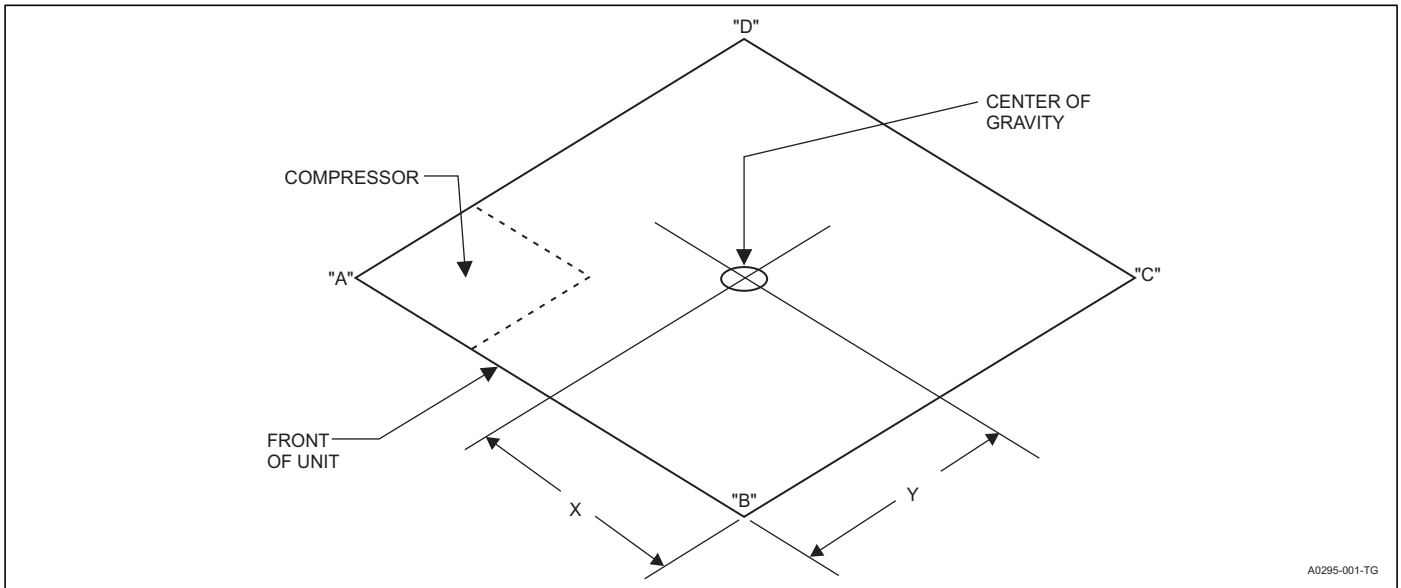
NOTE:

For single circuit heater kits, remove the wires for the second circuit from the single-point block.



SINGLE-POINT WIRING KITS

Unit Model Number	Single-Point Kit P/N	Breaker Size	Heat Kit
PCE4A2424	S1-2SPWK006	25 A	Up to 10 kW
PCE4A3024	S1-2SPWK001	30 A	Up to 15 kW
PCE4A3624	S1-2SPWK002	35 A	Up to 15 kW
PCE4A4224	S1-2SPWK007	40 A	Up to 20 kW
PCE4B4824	S1-2SPWK003	45 A	Up to 20 kW
PCE4B6024	S1-2SPWK004	50 A	Up to 20 kW



A0295-001-TG

WEIGHTS AND DIMENSIONS

Model	Weight (lb)		Center of Gravity		4-Point Load Location (lb)			
	Shipping	Operating	X	Y	A	B	C	D
PCE4A2424	312	307	30	15	124	54	76	53
PCE4A3024	348	343	30	15	125	72	73	73
PCE4A3624	355	350	30	15	130	72	75	73
PCE4A4224	374	369	30	15	134	79	77	79
PCE4B4824	436	431	30	19	165	88	94	84
PCE4B6024	455	450	29	18	177	94	97	82

AIRFLOW PERFORMANCE - SIDE DUCT APPLICATION

Model	Motor Speed	External Static Pressure (in. W.C.)								
		0.1	0.2	0.3	0.4	0.5	0.6	0.7	0.8	1.0
		SCFM	SCFM	SCFM	SCFM	SCFM	SCFM	SCFM	SCFM	SCFM
PCE4A24	Low (1)	580	550	500	440	390	350	290	240	130
	Medium Low (2)	690	660	620	570	520	460	410	360	270
	Medium (3)	800	760	720	680	630	570	530	480	400
	Medium High (4)	850	820	780	750	700	650	610	550	470
	High (5)	910	870	840	810	770	730	680	620	540
PCE4A30	Low (1)	690	660	620	570	520	460	410	360	270
	Medium Low (2)	840	800	770	730	680	630	590	530	450
	Medium (3)	1040	1010	980	940	910	880	840	800	700
	Medium High (4)	1150	1120	1090	1060	1030	1000	970	930	870
	High (5)	1180	1160	1130	1100	1070	1050	1010	980	910
PCE4A36	Low (1)	850	790	710	660	610	560	510	450	400
	Medium Low (2)	1100	1050	1010	960	900	840	790	750	660
	Medium (3)	1270	1230	1190	1150	1110	1060	1000	960	860
	Medium High (4)	1320	1280	1250	1210	1160	1120	1060	1020	920
	High (5)	1370	1340	1300	1260	1220	1180	1130	1070	980
PCE4A42	Low (1)	950	890	830	760	700	650	590	550	390
	Medium Low (2)	1320	1280	1240	1200	1150	1100	1050	990	900
	Medium (3)	1610	1570	1540	1500	1460	1420	1370	1330	1230
	Medium High (4)	1640	1600	1570	1530	1490	1450	1410	1360	1270
	High (5)	1890	1860	1830	1800	1760	1730	1700	1640	1510
PCE4B48	Low (1)	1140	1090	1030	980	920	850	780	730	600
	Medium Low (2)	1350	1300	1250	1200	1160	1100	1050	1000	870
	Medium (3)	1530	1480	1440	1400	1350	1310	1270	1220	1110
	Medium High (4)	1690	1650	1600	1570	1530	1490	1440	1400	1310
	High (5)	1800	1760	1720	1680	1650	1610	1560	1520	1440
PCE4B60	Low (1)	1300	1240	1200	1150	1090	1050	1000	940	820
	Medium Low (2)	1520	1480	1450	1400	1360	1320	1280	1240	1150
	Medium (3)	1770	1740	1700	1660	1630	1590	1550	1520	1440
	Medium High (4)	1870	1840	1810	1770	1730	1690	1650	1620	1540
	High (5)	2000	1970	1930	1890	1860	1830	1780	1740	1670

Notes:

Airflow is tested with dry coil conditions, without air filters, at 230 V.

Applications above 0.8 in. W.C. external static pressure are not recommended.

Brushless DC high-efficiency standard ECM blower motor is used for all indoor blower assemblies.

Minimal variations in airflow performance data result from operating at 208 V. The data in the table can be used in those cases.

Heating applications are tested at 0.50 in. W.C. external static pressure. Cooling applications are tested per AHRI Standard 210/240.

The differences between side duct airflows and bottom duct airflows are insignificant.

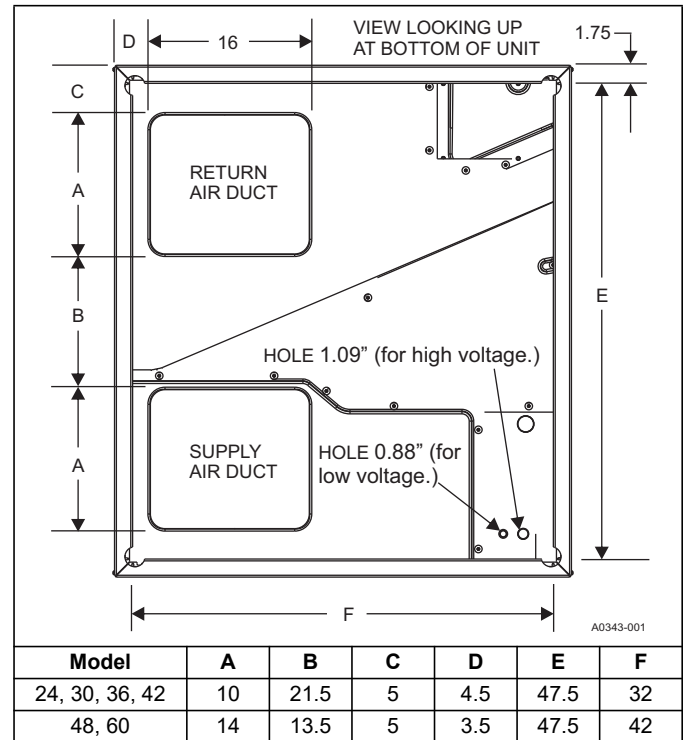
ADDITIONAL STATIC RESISTANCE

Size (Tons)	CFM	Wet Indoor Coil	Economizer ¹	Filter/Frame Kit
24 (2.0)	500	0.01	0.00	0.01
	600	0.01	0.00	0.02
	700	0.01	0.00	0.04
	800	0.02	0.01	0.06
	900	0.03	0.01	0.08
	1000	0.04	0.01	0.10
	1100	0.05	0.01	0.13
	1200	0.06	0.02	0.16
30 (2.5)	700	0.01	0.00	0.04
	800	0.02	0.01	0.06
	900	0.03	0.01	0.08
	1000	0.04	0.01	0.10
	1100	0.05	0.01	0.13
	1200	0.06	0.02	0.16
36 (3.0)	700	0.01	0.00	0.04
	800	0.02	0.01	0.06
	900	0.03	0.01	0.08
	1000	0.04	0.01	0.10
	1100	0.05	0.01	0.13
	1200	0.06	0.02	0.16
	1300	0.07	0.03	0.17
	1400	0.08	0.04	0.18
42 (3.5)	1100	0.02	0.02	0.04
	1200	0.03	0.02	0.04
	1300	0.04	0.02	0.05
	1400	0.05	0.03	0.05
	1500	0.06	0.04	0.06
	1600	0.07	0.04	0.07
	1700	0.07	0.04	0.08
	1800	0.08	0.04	0.09
	1900	0.09	0.05	0.10
	2000	0.09	0.05	0.11
48 (4.0)	1100	0.02	0.02	0.04
	1200	0.03	0.02	0.04
	1300	0.04	0.02	0.05
	1400	0.05	0.03	0.05
	1500	0.06	0.04	0.06
	1600	0.07	0.04	0.07
	1700	0.07	0.04	0.08
	1800	0.08	0.04	0.09
	1900	0.09	0.05	0.10
	2000	0.09	0.05	0.11
60 (5.0)	1100	0.02	0.02	0.04
	1200	0.03	0.02	0.04
	1300	0.04	0.02	0.05
	1400	0.05	0.03	0.05
	1500	0.06	0.04	0.06
	1600	0.07	0.04	0.07
	1700	0.07	0.04	0.08
	1800	0.08	0.04	0.09
	1900	0.09	0.05	0.10
	2000	0.09	0.05	0.11

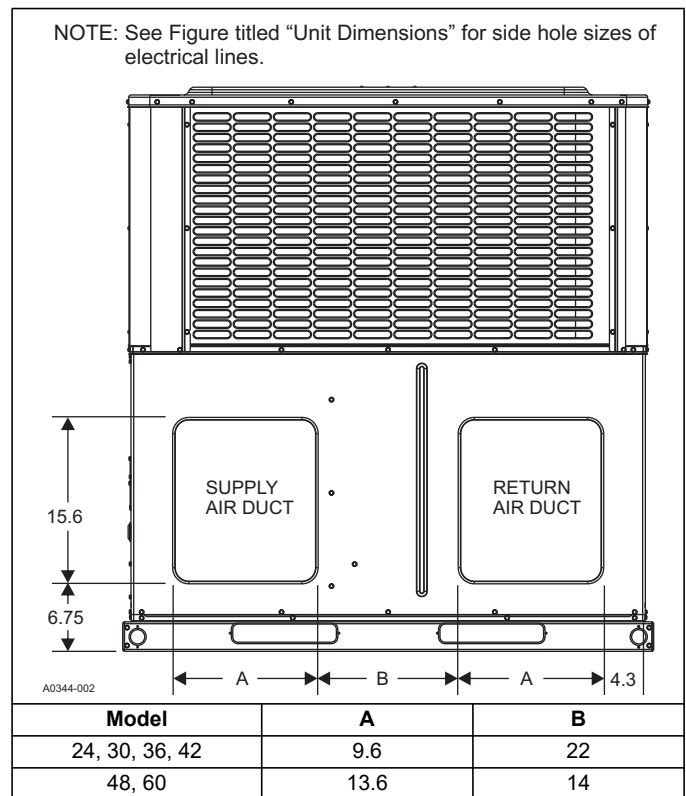
1. The pressure drop through the economizer is greater for 100% outdoor air than for 100% return air. If the resistance of the return air duct is less than 0.25 IWG, the unit delivers less CFM during full economizer operation.

Note: Filter pressure drop based on standard filter media tested at velocities not to exceed 300 ft/min.

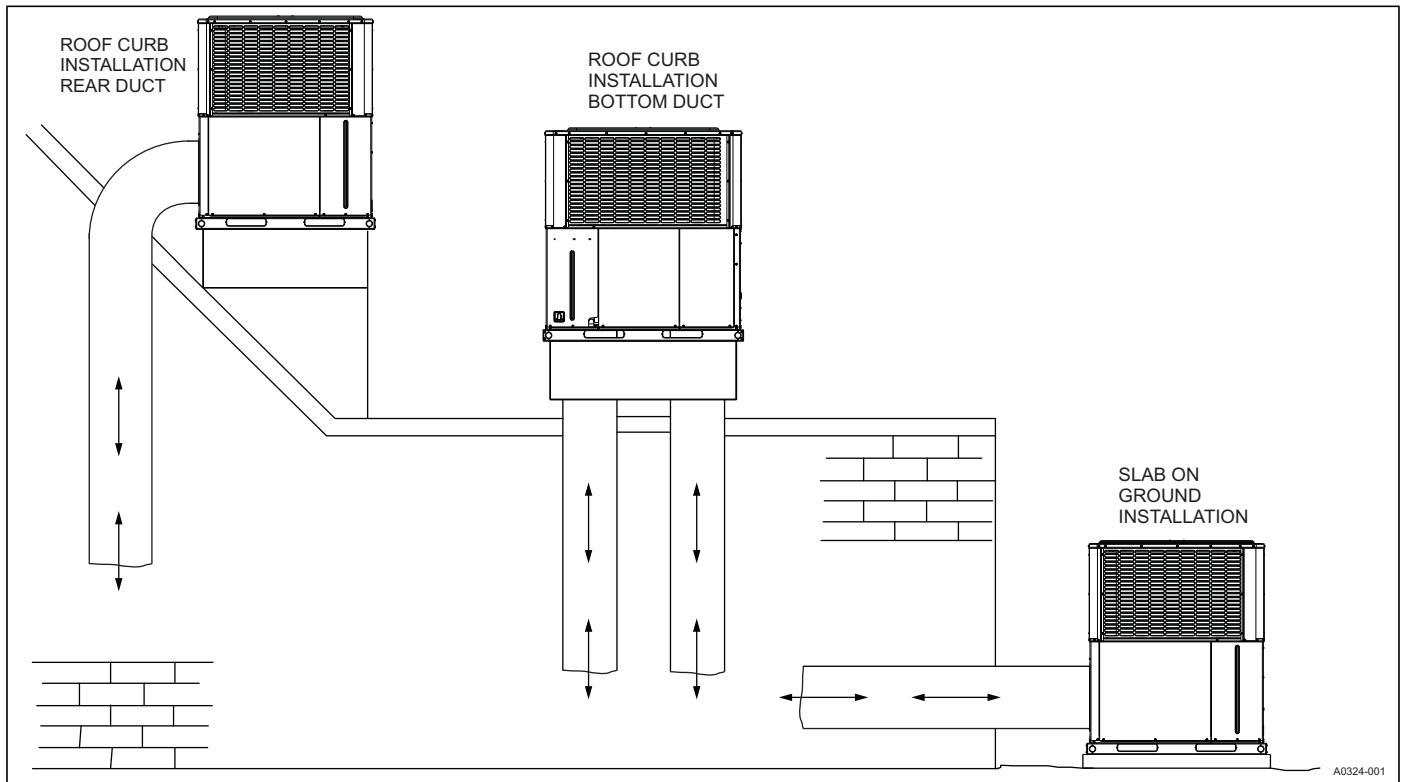
BOTTOM DUCT DIMENSIONS (in.)



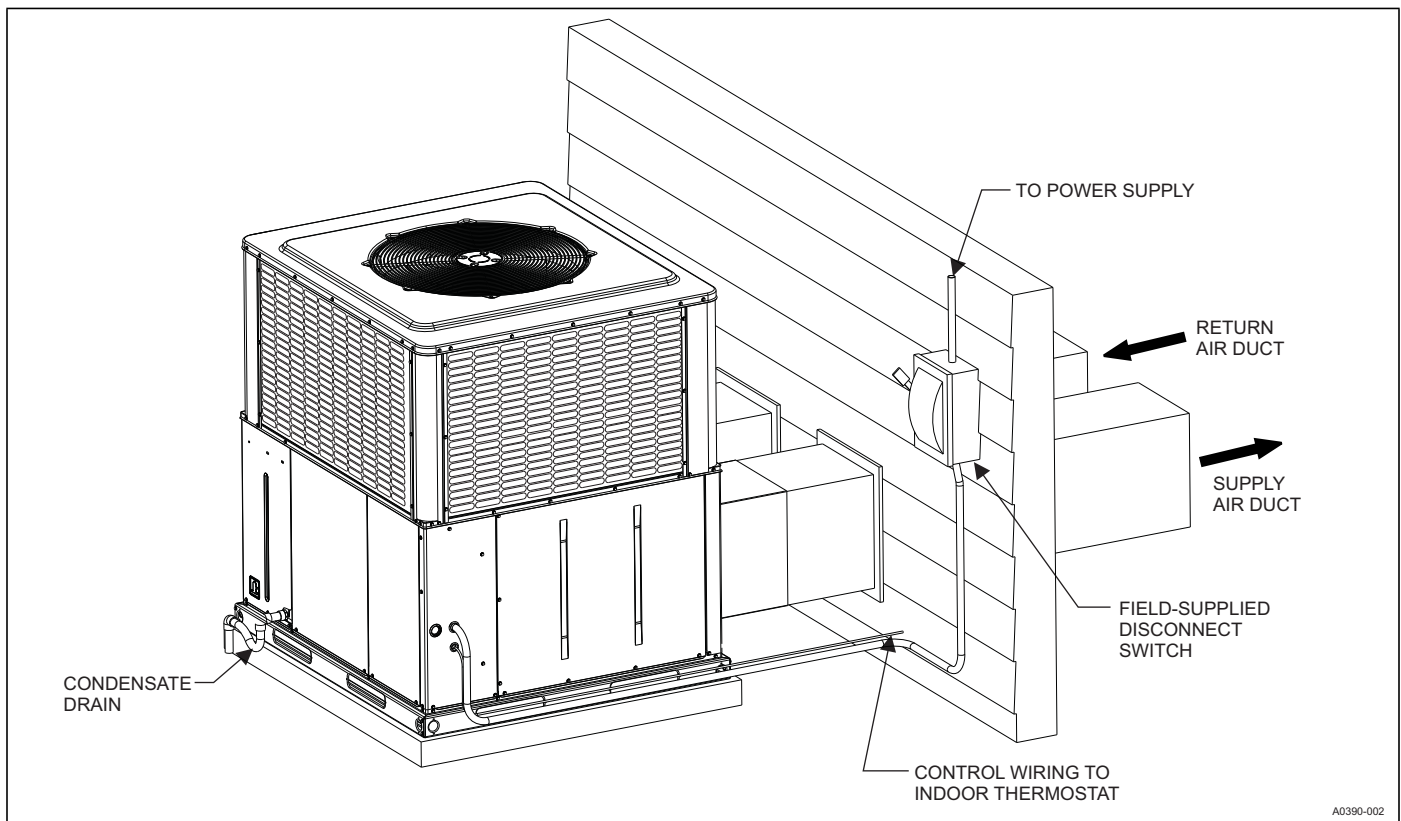
REAR DUCT DIMENSIONS (in.)



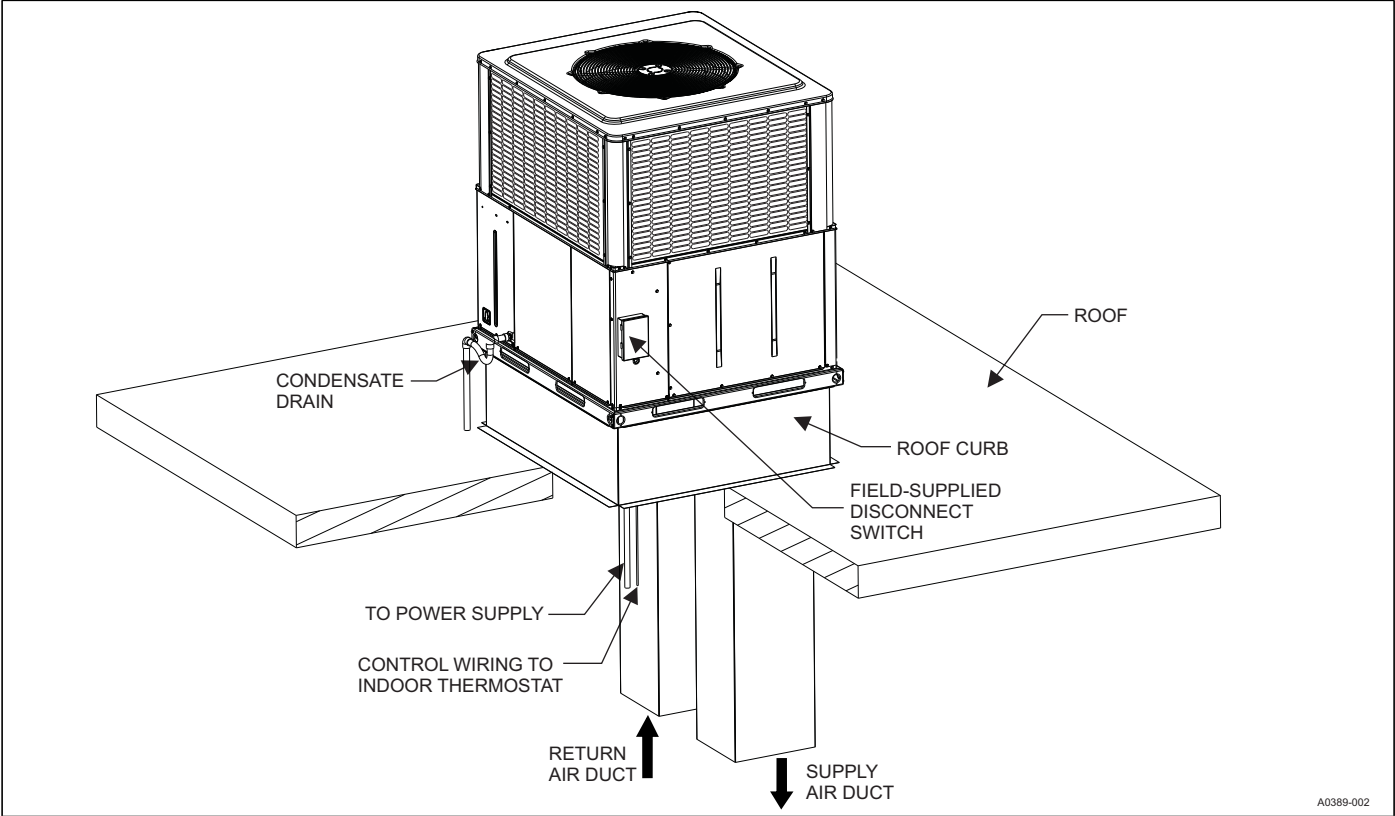
UNIT TYPICAL DUCT APPLICATIONS



UNIT TYPICAL SLAB ON GROUND INSTALLATION



UNIT TYPICAL ROOF CURB INSTALLATION



NOTES