



## TECHNICAL GUIDE

**SINGLE PACKAGE  
HEAT PUMP/ELECTRIC HEAT  
16 SEER – R-410A – 208/230 V - 1 PHASE  
2 TO 5 NOMINAL TONS  
MODELS: PHE6\*24 TO 60**



Due to continuous product improvement, specifications are subject to change without notice.

Visit us on the web at

[www.simplygettingthejobdone.com](http://www.simplygettingthejobdone.com) and  
[www.york.com](http://www.york.com)

Additional rating information can be found at

[www.ahridirectory.org](http://www.ahridirectory.org)

### WARRANTY SUMMARY\*

Extended 10-Years limited parts and compressor warranty

\* Extended warranty requires online registration within 90 days of purchase for replacement or closing for new home purchase. See limited warranty certificate in User's Information Manual for details.

## DESCRIPTION

These packaged cooling/heating heat pumps are designed for outdoor installation. Only utility and duct connections are required at the point of installation.

## FEATURES

- **Operating Efficiency** - The 2 ton to 4 ton PHE6 heat pump models are rated at 16.0 SEER, 12.5 EER and 8.0 HSPF per DOE procedures and are AHRI certified. The 5 ton PHE6 heat pump models are rated at 16.0 SEER, 12.0 EER and 8 HSPF per DOE procedures and are AHRI certified. All PHE6 models utilize multi-stage compressors for maximum comfort and efficiency.
- **On-Site Flexibility** - All model sizes use a compact design cabinet in one of two footprints. This provides installer flexibility for placing the proper capacity unit on curbs or pads with the smallest footprint after the internal load has been determined. Field convertible duct connections from side shot to down shot allow the installer to have greater flexibility with less inventory.
- **Lower Installation Cost** - Installation time and costs are reduced by easy power and control wiring connections. The small base dimension means less space is required on the ground or roof. All units are completely wired, charged with R-410A refrigerant, and tested before shipment. Test stations using a state-of-the-art computerized process system are used to ensure product quality. Refrigerant charge and component part numbers are verified using computers during assembly. Vital run test statistics such as system pressure, motor currents, air velocity and temperature, unit vibration, and gas system safeties are monitored and recorded by the system to ensure unit performance. Equal size side supply and return duct connections allow easy connection of ducts to match low crawl spaces without transition pieces.
- **Utility Connections Made Easy** - Electric utility access is provided through the bottom or side of the unit. Utility connections can be made quickly and with a minimum amount of field labor. A field supplied and field installed electrical disconnect switch must be installed.
- **Convertible Airflow Design** - The bottom duct openings are covered when they leave the factory, ready to be used for a side supply/side return application. If a bottom supply/bottom return application is required, remove the two panels from the bottom of the unit and place them in the side supply/side return duct openings. No panel cutting is required and no accessory panel is necessary. Convertible airflow design allows maximum field flexibility and minimum inventory.
- **Condensate Pan** - A corrosion-resistant, long-lasting, water-tight pan is positioned below the indoor coil to collect and drain all condensate, preventing build-up of stagnant condensate. The condensate pan conforms to ASHRAE 62-89 standards (Ventilation for Acceptable Indoor Air Quality).
- **Condensate Drain** - The 3/4-in. NPT female connection is rigidly mounted to ensure proper fit and leak tight seal.
- **Durable Finish** - The cabinet is made of G90 galvanized steel with a powder paint coating for appearance and protection. The pre-treated galvanized steel provides a better paint-to-steel bond, which resists corrosion and rust creep. The powder paint finish ensures less fading when exposed to sunlight, and provides superior corrosion resistance (1,000 hour salt spray tested).

Continued on next page.

- **Full Perimeter Base Rails** - The easily removable base rails provide a solid foundation for the entire unit and protect the unit during shipment. The rails provide forklift access from all sides, and rigging holes are also provided so an overhead crane can be used to place the units on a roof. On applications where the unit is placed on a pad, the base keeps the unit off the pad to deter corrosion. On applications where height is limited, the base rails can be removed by removing two screws in each corner.
- **Attractive Appearance** - A single-piece top cover containing a top-discharge outdoor fan arrangement requires less square footage on installation and provides a wider variety of installations. The one-piece design adds greater water integrity. Rounded corners with water drip edges add to the attractive appearance and provide cut protection to the installer.
- **Top Discharge** - The top-discharge outdoor fan does not disrupt neighboring areas or dry out vegetation surrounding the unit. The warm air from the top mounted fan is blown up and away from the structure and any landscaping.
- **Outdoor Coil Grille** - All models utilize a stamped slotted design that provides superior impact protection against small objects during transit and after installation.
- **Low Operating Sound Level** - The upward airflow carries the normal operating noise up and away from the living area. The rigid top panel effectively isolates noise. Isolator mounted compressor and the rippled fins of the outdoor coil muffle the normal fan motor and compressor operating sounds. The unique formed base pan also aids in sound attenuation with its structural design.
- **Low Maintenance** - Long life, permanently lubricated outdoor and indoor fan motor bearings need no annual maintenance, adding greater reliability to the unit. Slide-out blower assembly can be easily removed for cleaning or service.
- **Fan System** - All models operate over a wide range of design conditions with an enhanced ECM indoor fan motor. These units easily match all types of applications and provide greater on-site flexibility to match comfort requirements. The cooling speed and heating speeds are factory set at test design conditions but can be field adjusted. This allows maximum comfort capabilities.
- **Dehumidification/Humidity Switch Input** - This model unit features a built-in dehumidification feature for advanced dehumidification during cooling operation. The unit indoor blower control is designed to work with a humidity control that closes when the humidity is below the set-point. The control is open when the humidity is above the set-point. This humidity control can be referred to as a humidistat or dehumidistat.

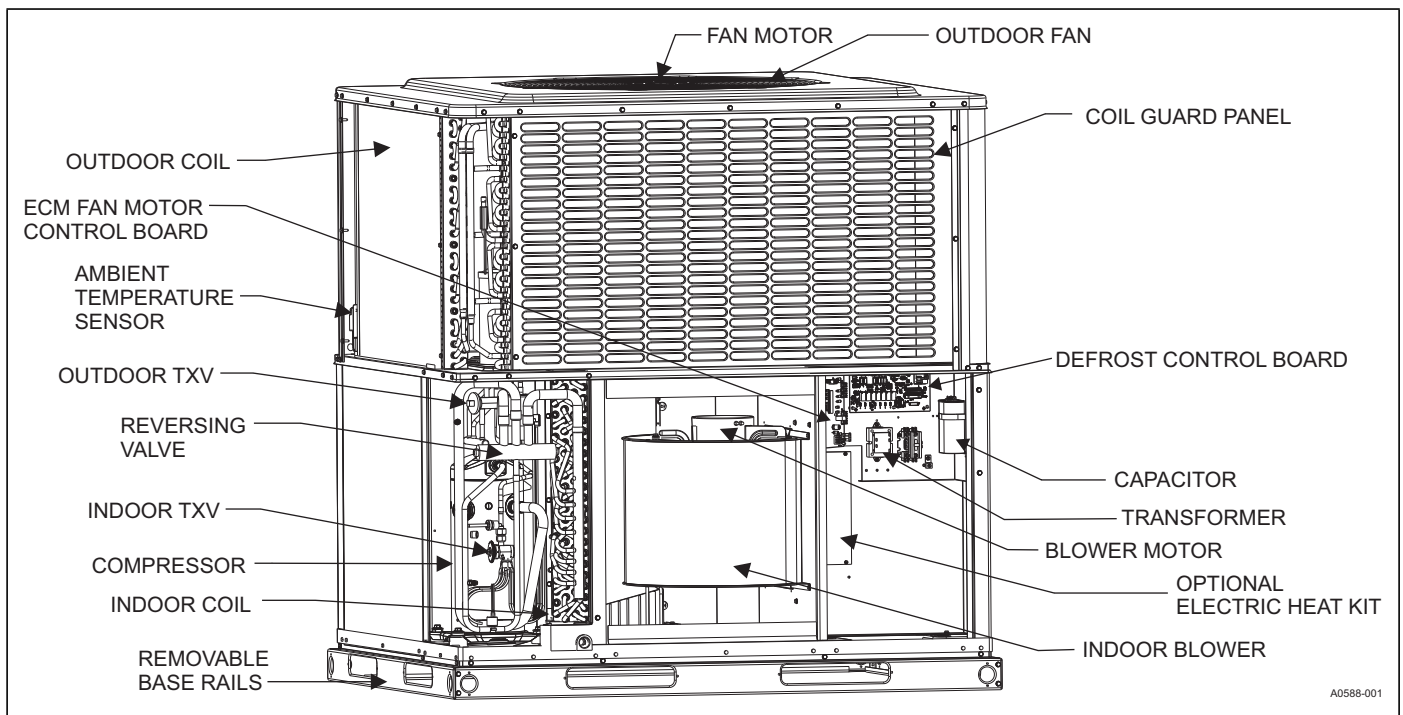
**Note:** To use this feature, the control HUM STAT jumper must be set to YES and a humidistat must be connected from the low voltage R and HUM color coded leads. During cooling operation, if the humidity level is above the humidistat set point, the indoor blower speed is reduced by approximately 15%.

- **Simple Control Circuit** - An indoor enhanced ECM blower control board and a defrost control board each contain a status/diagnostic indicator light. Field thermostat wiring connects to color coded leads using twist on wire connections. Cooling controls use a contactor and a 2nd stage 24 VAC to 24 VDC rectifier for simple application and troubleshooting. MATE-N-LOK plug connectors are used. The electrical control box is not located in the compressor compartment. The controls are mounted to allow the separate access panel to be removed for troubleshooting and maintenance without affecting the normal system operating pressures. All wiring internal to the unit is color/number coded.
- **Protected Compressor** - The compressor is internally protected against high pressure and temperature. This is accomplished by the simultaneous operation of scroll bypass and a temperature thermal overload sensor, which protects the compressor if undesirable operating conditions occur.
- **Pressure Switch** - A high pressure switch is standard in all units. When abnormal conditions are sensed through the pressure switch, the unit locks out, preventing any further operation until the unit is reset.
- **Loss of Charge Switch** - All models include a loss of charge switch to provide safe shutdown of the compressor.
- **Exclusive Coil Design** - Grooved copper tubes and enhanced aluminum fin construction improve heat transfer for maximum efficiency and durability. Indoor coils use tin-coated copper tubing with aluminum fins for effective heat transfer.
- **Electric Heat (Optional)** - All PHE models use 6HK electric heat kits, which are available in 230/230-1-60 from 2 kW to 25 kW. Most kits are stageable above 10 kW. Single-phase single-point field wiring kits are available for all applications except 25 kW.
- **Easy Service Access** - Individual access panels provide access to all major components, for example, compressors, indoor coils, blowers, controls/electric heat kits, and filters, making servicing easy. Removing these panels allows easy removal of components such as the blower assembly for maintenance and troubleshooting.
- **Replacement Parts** - The installer requires no special training to replace any of the components of these units. The number of new components has been reduced to minimize the inventory of unique parts.
- **Controls** - Demand defrost curves pre-loaded into defrost control for optimized performance based on unit capacities.

**NOMENCLATURE**

PHE	4	A	24		2		1	A		
1	2	3	4	5	6	7	8	9		
1. Model Family PHE - packaged heat pump with electric heat PCG - packaged A/C with gas heat PHG - packaged heat pump with gas heat PCE - packaged A/C with electric heat				5. Gas Heating Input BTU/Hr x 1000 050 = 50,000 BTU/Hr input, blank = electric heat						
2. Nominal Cooling Efficiency 4 = 14 SEER, 6 = 16 SEER				6. Voltage-Phase-Frequency 2 = 208/230-1-60, 3 = 208/230-3-60, 4 = 460-3-60						
3. Cabinet Size A = small 35 x 51, B = large 45 x 51				7. NOx Approval X = low-NOx, blank = not low-NOx						
4. Nominal Air Conditioning Cooling Capacity BTUx1000 24 = 24,000 BTU, etc.				8. Generation Level 1 = first generation						
				9. Revision Level A = original release, B = second release						
<b>Example:</b> PHE6B4221A is a packaged heat pump, 16 SEER, large cabinet, 3-1/2 ton, 208/230 V, single-phase model, first generation, first release.										

**COMPONENT LOCATION**



**UNIT LIMITATIONS**

Model	Unit Voltage	Unit Limitations		
		Applied Voltage		Outdoor DB Temperature
		Minimum	Maximum	Maximum (°F)
PHE6A2421	208/230-1-60	187	252	125
PHE6A3021	208/230-1-60	187	252	125
PHE6B3621	208/230-1-60	187	252	125
PHE6B4221	208/230-1-60	187	252	125
PHE6B4821	208/230-1-60	187	252	125
PHE6B6021	208/230-1-60	187	252	125

## APPLICATIONS AND ACCESSORIES

Application Limitations								
Packaged Equipment Series	Air Temperature at Outdoor Coil (°F)				Air Temperature at Indoor Coil (°F)			
	Minimum		Maximum		Minimum		Maximum	
	DB Cool	DB Heat	DB Cool	DB Heat	WB Cool	DB Heat	WB Cool	DB Heat
16 SEER HP	55	-10	125	75	57	50	72	80

- **Anchor Bracket Kit (S1-1HK0601)** - This kit firmly anchors PCG, PCE, PHE, and PHG packaged units to a pad or support structure. When properly installed, the kit is approved for ground-mounted or roof-mounted applications, wind load certified, and listed with the State of Florida. See <https://floridabuilding.org> for this listing.
- **Economizer for Downflow Applications (S1-2EE04710024, S1-2EE04710124)** - Modulating integrated economizer provides simultaneous operation between mechanical cooling and economizer operation. Independent blade design ensures proper control and less than 1% leak rate. Includes hood and mesh bird screen filter integrated into the hood, dry bulb sensor, and barometric relief damper. Separate field accessories of single/dual enthalpy kits are also available.
- **Economizer for Horizontal Applications (S1-2EE04710224, S1-2EE04710324)** - Modulating integrated economizer provides simultaneous operation between the mechanical cooling and economizer operation. Independent blade design ensures proper control and less than 1% leak rate. Includes hood and mesh bird screen filter integrated into hood and dry bulb sensor. Separate field accessories of single enthalpy and dual enthalpy are available.
- **Barometric Relief Hood (S1-1RD0501)** - Used in conjunction with a horizontal economizer, the Barometric Relief Hood helps to equalize the building pressure caused by the fresh air that is introduced through the economizer fresh air hood.
- **Single/Dual Enthalpy Sensor (S1-HE-69630NS-2D)** - Sensor replaces dry bulb sensor standard in economizer kit. Provides improved economizer operation by sensing the dry bulb temperature from outdoors plus the enthalpy content of the outdoor air.
- **Duct/Unit Mount CO<sub>2</sub> Kit (S1-2AQ04700924)** - Sensor kit detects CO<sub>2</sub> levels automatically and overrides the economizer when CO<sub>2</sub> levels rise above the preset limits.
- **Wall Mount CO<sub>2</sub> Kit (S1-2AQ04701024)** - Sensor kit detects CO<sub>2</sub> levels automatically and overrides the economizer when CO<sub>2</sub> levels rise above the preset limits.
- **Supply Air Temperature Sensor Kit (S1-TE-63616E-2D)** - Outdoor supply air temperature sensor kit used with economizers.
- **Filter/Frame Kit (S1-1FF0602, S1-1FF0601)** - Kit contains the necessary hardware to field install return air filters into the base unit. The filter rack is suitable for 1 in. or 2 in. filters.
- **Filter (S1-02647812000)** - Washable 1 in. filter. Two filters are required for A base units. Three filters are required for B base units.
- **Motorized Fresh Air Damper (S1-2MD04705224, S1-2MD04705124)** - Designed for duct mounted side supply/return and unit mounted down supply/return applications. Damper capable of providing 0% through 50% of outdoor air (field supplied). Closes on power loss, and includes hood and screen assembly.

- **Rectangle to Round (Horizontal) Adapter (S1-1AK0110, S1-1AK0111)** - Kit includes one supply and one return air rectangle to round duct adapter. Adapters are preformed and designed to fit over current horizontal duct openings on the base unit. Transition is from rectangle to 12-in. round for the 1AK0110 kit and from rectangle to 14-in. round for the 1AK0111 kit.
- **Rectangle to Round (Downflow) Adapter (S1-1AK0108, S1-1AK0109)** - Kit includes one supply and one return air rectangle to round duct adapter. Adapters are preformed and designed to fit into current downflow duct openings on the roof curb. Transition is from rectangle to 16-in. round for the 1AK0108 kit and from rectangle to 18-in. round for the 1AK0109 kit.
- **Roof Curbs (S1-1RC0503, S1-1RC0501)** - NRCA approved curbs provide proper fit to base unit for rooftop installations. Curbs are designed to be assembled through hinge pins in each corner. Kit also provides seal strip to ensure an airtight seal. These are 8-in. high roof curbs.
- **Roof Curbs (S1-1RC0504, S1-1RC0502)** - NRCA approved curbs provide proper fit to base unit for rooftop installations. Curbs are designed for assembly through hinge pins in each corner. Kit also provides seal strip to ensure an airtight seal. These are 14-in. high roof curbs.
- **Manual Outdoor Damper (S1-1FA0502, S1-1FA0501)** - Provides 0% through 50% outdoor air capability (field adjustable). Designed for duct mounted side supply/return applications and unit mounted down supply/return applications. Includes hood and screen assembly.
- **Low Ambient Kit (S1-2LA04701024)** - Kit provides necessary hardware to convert unit to operate in cooling cycle down to 0°F. Standard unit operation is 45°F.
- **Transformer Kit (S1-2EC06700124)** - Kit provides necessary hardware to provide single-phase models from factory furnished 40 VA transformer capability to 75 VA transformer capability. Required on installations with economizer or motorized damper.
- **Base Rail Hole Cover Kit (S1-1HC0101)** - Kit provides necessary hardware to close off openings in base rails to block off openings and prevent animal entrance.
- **Single Point Wiring Kits for 6HK Electric Heat Applications (S1-SPWK\*)** - Kit provides field option for connecting electrical power supplies to the field installed 6HK heat kits and the package unit power supply to a single source of power with the exception of 25 kW kits.
- **Transition Curb Kits (S1-1TC01\*)** - Adapter kits to allow field use of pre-existing installed roof curbs to match PHE6 footprint to Affinity roof curbs, Carrier, Trane, or Goodman curb footprints. Curb adapters are optional for current generation Carrier replacements, but are recommended for previous generation applications. Refer to the PHE6 price pages for more details.
- **Thermostat** - Compatible thermostat controls are available through accessory sourcing. For optimum performance, these outdoor units are fully compatible with our residential Hx™ Touch Screen Thermostat available through Source 1. For more information, see the thermostat section of the Product Equipment Catalog.
- **Wall Thermostat** - The units are designed to operate with standard, 24-V electronic non power stealing and electromechanical thermostats. All units require the use of a 3 heat/2 cool (3H/2C) heat pump thermostat - with or without the economizer.

\* For additional kit numbers refer to the price pages.

## GUIDE SPECIFICATIONS

### GENERAL

Units shall be manufactured by Ducted Systems in an ISO 9001 certified facility. These packaged cooling/heating air conditioners are designed for outdoor installation. Only utility and duct connections are required at the point of installation. Heat pumps provide electric cooling and electric heating, with field installed electric heat kits from 2 kW to 25 kW for backup supplemental heating operation.

### DESCRIPTION

Units shall be factory-assembled, single packaged, heat pumps with electric cooling/electric heating units, designed for outdoor installation. They shall have built-in, equal size, field convertible duct connections for downflow supply/return or horizontal supply/return. The units shall be factory wired, piped, charged with R-410A refrigerant, and factory tested before shipment. All models shall be rated in accordance with DOE and AHRI test procedures for both heating and cooling operation. Units shall be CSA listed to the UL 1995/CAN/CSA No. 236-M90 standards.

- **Operating Efficiency** - All heat pump models shall be rated at a minimum of 16.0 SEER, 12.0 EER, and 8.0 HSPF for cooling and heating operation.
- **Low Operating Sound Level** - The upward airflow carries the normal operating noise up and away from the living area. The rigid top panel effectively isolates noise. Isolator mounted compressor and the rippled fins of the outdoor coil muffle the normal fan motor and compressor operating sounds. The unique formed base pan also aids in sound attenuation with its structural design. Sound ratings as tested under AHRI test procedures shall be less than 77 dB(A) for all models.

### UNIT CABINET

Unit cabinet shall be a single piece design, with drip edges and no-seam corners to provide optimum water integrity. Unit shall have a rigidly mounted outdoor coil guard to provide protection from objects and personnel after installation. Indoor blower section shall be insulated with foil-faced or foam insulation, fastened to prevent insulation from entering the air stream. Cabinet panels shall be separate and easily removable for servicing and maintenance. Unit shall be built on a formed, design base pan, with embossments at critical points to add strength and rigidity and aid in minimizing sound. Full perimeter base rails shall be provided to ensure reliable transit of equipment and facilitate overhead rigging, allowing fork truck access and proper sealing on roof curb applications. Base rails shall be easily removable, when required to lower unit height. Filters shall be field installed, furnished, and accessible through a removable access door, sealed airtight. The unit's vertical discharge and return duct configuration shall be designed to fit between standard 24-in. O.C. beams without modification to building structure, duct work, and base unit.

- **On-Site Flexibility** - All model sizes shall use a compact design cabinet in one of two footprints. This provides installer flexibility for placing the proper capacity unit on curbs or pads with the smallest footprint after the internal load has been determined. Field convertible duct connections from side shot to down shot allow the installer to have greater flexibility with less inventory.

- **Durable Finish** - The cabinet shall be is made of G90 galvanized steel with a powder paint coating for appearance and protection. The pre-treated galvanized steel shall provide a better paint-to-steel bond, which resists corrosion and rust creep. The powder paint finish ensures less fading when exposed to sunlight, and provides superior corrosion resistance (1,000 hour salt spray tested).
- **Attractive Appearance** - A single-piece top cover containing a top-discharge outdoor fan arrangement shall be used. This requires less square footage on installation and provides a wider variety of installations. The one-piece design adds greater water integrity. Rounded corners with water drip edges add to the attractive appearance and prevent water penetration.
- **Convertible Airflow Design** - The bottom duct openings are covered when they leave the factory, ready to be used for a side supply/side return application. If a bottom supply/bottom return application is required, remove the two panels from the bottom of the unit and place them in the side supply/side return duct openings. No panel cutting is required and no accessory panel is necessary. Convertible airflow design allows maximum field flexibility and minimum inventory.
- **Utility Connections Made Easy** - Electric utility access shall be provided through the bottom or side of the unit. Utility connections should be made quickly and with a minimum amount of field labor. A field supplied and field installed electrical disconnect switch must be installed.
- **Easy Service Access** - Individual access panels provide access to all major components, for example, compressors, indoor coils, blowers, controls/electric heat kits, and filters, making servicing easy. Removing these panels allows easy removal of components such as the blower assembly for maintenance and troubleshooting.
- **Top Discharge** - The top-discharge outdoor fan does not disrupt neighboring areas or dry out vegetation surrounding the unit. The warm air from the top mounted fan is blown up and away from the structure and any landscaping.
- **Outdoor Coil Grille** - All models utilize a stamped slotted design that provides superior impact protection against small objects during transit and after installation.

**Indoor Blower Assembly** - Blower shall be direct drive design. Blower wheel shall be double-inlet type with forward-curved blades, dynamically balanced to operate smoothly throughout the entire range of operation. Design shall use constant torque motors. Bearings shall be sealed and permanently lubricated for longer life and no maintenance. Fan assembly shall be a slide-out design for easy removal and cleaning. Indoor blower motors shall be equipped with a standard high efficiency brushless DC motor (constant torque), also known as an enhanced ECM motor.

**Outdoor Fan Assembly** - The outdoor fan shall be of the direct-driven propeller type, discharge air vertically, have aluminum blades riveted to corrosion resistant steel spider bracket, and be statically balanced for smooth operation. The outdoor fan motor shall be totally enclosed with permanently lubricated ball bearings and internally protected against overload conditions.

## **REFRIGERANT COMPONENTS**

- **Protected Compressor** - The compressor shall be a fully hermetic type, direct drive compressor, that is internally protected against high pressure and temperature. This is accomplished by the simultaneous operation of a scroll bypass valve and a temperature thermal overload sensor, which protects the compressor if undesirable operating conditions occur. The hermetic motor shall be suction gas cooled and have a voltage range of +/- 10% of the unit nameplate voltage. Compressors shall have internal isolation and sound muffling to minimize vibration and noise, and be externally isolated on a dedicated, independent mounting.
- **Indoor Coils** - Indoor coils shall be of the direct expansion, draw through design and have aluminum plate fins mechanically bonded to seamless internally enhanced tin-coated copper tubes with all joints brazed.
- **Condensate Pan** - A corrosion-resistant, long-lasting, water-tight pan is positioned below the indoor coil to collect and drain all condensate, preventing build-up of stagnant condensate. The condensate pan conforms to ASHRAE 62-89 standards (Ventilation for Acceptable Indoor Air Quality).
- **Condensate Drain** - The 3/4-in. NPT female connection is rigidly mounted to ensure proper fit and leak tight seal.
- **Outdoor Coils** - Outdoor coils shall have aluminum plate fins mechanically bonded to seamless internally enhanced copper tubes with all joints brazed, and be a draw through design.
- **Refrigerant Circuit and Refrigerant Safety Components shall include the following:** thermal expansion devices (TXVs) that are factory mounted and provided, filter/strainer to eliminate any foreign matter, and reversing valves to control refrigerant flow.

## **CONTROLS**

- **Simple Control Circuit** - An indoor enhanced ECM blower control board and a defrost control board each contain a status/diagnostic indicator light. Field thermostat wiring connects to color coded leads using twist on wire connections. Cooling controls use a contactor and a 2nd stage 24 VAC to 24 VDC rectifier for simple application and troubleshooting. MATE-N-LOK plug connectors are used. The electrical control box is not located in the compressor compartment. The controls are mounted to allow the separate access panel to be removed for troubleshooting and maintenance without affecting the normal system operating pressures. All wiring internal to the unit is color/number coded.
- **Controls** - Demand defrost curves pre-loaded into defrost control for optimized performance based on unit capacities.
- **Pressure Switch** - A high pressure switch is standard in all units. When abnormal conditions are sensed through the pressure switch, the unit locks out, preventing any further operation until the unit is reset.
- **Loss of Charge Switch** - A loss of charge switch is standard in all units. When excessive compressor discharge temperatures are sensed, the unit locks out, preventing any further operation until the unit is reset.
- **Factory Testing** - Installation time and costs are reduced by easy power and control wiring connections. All units are completely wired, charged with R-410A refrigerant, and tested before shipment. Test stations using a state-of-the-art computerized process system shall be used to ensure product quality. Refrigerant charge and component part numbers are verified using computer bar code scans during assembly. Vital run test statistics such as system pressure, motor currents, air velocity and temperature, unit vibration, and gas system safeties are monitored and recorded by the system to ensure unit performance. This data could be provided by serial number tracking if necessary.
- **Electric Heat (Optional)** - All PHE models use 6HK electric heat kits, which are available in 208/230-1-60 from 2 kW to 25 kW. Most kits are stageable above 10 kW. Single-phase single-point field wiring kits are available for all applications except 25 kW. Single-point accessory kits are available for single-phase models. Single-phase single-point field wiring kits are available for all applications except 25 kW. Electric heat kits must be certified to UL 1995 standard requirements.

## PHYSICAL DATA

NOMINAL TONNAGE	MODELS					
	PHE6A2421	PHE6A3021	PHE6B3621	PHE6B4221	PHE6B4821	PHE6B6021
	2.0	2.5	3.0	3.5	4.0	5.0
<b>AHRI Cooling Performance</b>						
Gross Capacity @ AHRI A point (MBH)	23.7	29.5	37.0	43.2	49.1	59.2
AHRI net capacity (MBH)	23.4	29.0	36.4	42.5	47.5	57.5
EER	12.5	12.5	12.5	12.5	12.5	12.5
SEER	16.0	16.0	16.0	16.0	16.0	16.0
Nominal CFM	800	1000	1200	1400	1600	1800
System power (kW)	1.8	2.3	2.8	3.3	3.7	4.5
Refrigerant type	R-410A	R-410A	R-410A	R-410A	R-410A	R-410A
Refrigerant charge (lb-oz)	9-0	10-0	12-12	11-8	15-0	15-8
<b>AHRI Heating Performance</b>						
47°F Capacity Rating (MBH)	22.2	27.2	33.8	38.0	45.5	56.0
System Power (kW/COP)	3.7	3.6	3.6	3.6	3.6	3.6
17°F Capacity Rating (MBH)	12.0	16.8	19.0	22.0	28.0	32.6
HSPF (BTU/Watts-hr.)	8.2	8.2	8.2	8.2	8.2	8.2
<b>Dimensions (in.)</b>						
Length	51-1/4	51-1/4	51-1/4	51-1/4	51-1/4	51-1/4
Width	35-3/4	35-3/4	45-3/4	45-3/4	45-3/4	45-3/4
Height	47	47	49	49	53	55
<b>Operating Weight (lb)</b>						
	377	392	448	471	496	523
<b>Compressors</b>						
Type	Scroll	Scroll	Scroll	Scroll	Scroll	Scroll
Stages	2	2	2	2	2	2
<b>Outdoor Coil Data</b>						
Face area (sq. ft)	15.1	16.9	19.5	19.5	23.8	25.9
Rows	2	2	2	2	2	2
Fins per inch	22	22	22	22	22	22
Tube diameter	3/8	3/8	3/8	3/8	3/8	3/8
Circuitry Type	Interlaced	Interlaced	Interlaced	Interlaced	Interlaced	Interlaced
Refrigerant control	TXV	TXV	TXV	TXV	TXV	TXV
<b>Indoor Coil Data</b>						
Face area (sq. ft)	4.6	4.6	6.3	6.3	6.3	6.3
Rows	3	3	3	3	3	4
Fins per inch	16	16	16	16	16	16
Tube diameter	3/8	3/8	3/8	3/8	3/8	3/8
Circuitry Type	Interlaced	Interlaced	Interlaced	Interlaced	Interlaced	Interlaced
Refrigerant control	TXV	TXV	TXV	TXV	TXV	TXV
<b>Outdoor Fan Data</b>						
Fan diameter (in.)	24	24	26	26	26	26
Type	Prop	Prop	Prop	Prop	Prop	Prop
Drive type	Direct	Direct	Direct	Direct	Direct	Direct
Number of speeds	1	1	1	1	1	1
Motor HP each	1/8	1/8	1/3	1/3	1/3	1/3
RPM	790	790	850	850	850	850
Nominal total CFM	2300	2300	4000	4000	4200	4200
<b>Direct Drive Indoor Blower Data</b>						
Fan Size (in.)	11 x 8	11 x 8	11 x 10	11 x 10	11 x 10	11 x 10
Type	Centrifugal	Centrifugal	Centrifugal	Centrifugal	Centrifugal	Centrifugal
Motor HP each	1/2	1/2	1/2	3/4	3/4	1
RPM	1200 Max	1200 Max	1200 Max	1200 Max	1200 Max	1200 Max
Frame size	48	48	48	48	48	48
<b>Filters</b>						
Filter size	A	A	B	B	B	B
Quantity - Size	Field-supplied external filters must be sized so as not to exceed 300 fpm air velocity through disposable filters. For internal filter use, a filter rack kit is available. Consult the instructions supplied with the kit for replacement filter sizes. Filter sizes: A = 20 x 20, B = 20 x 30.					

COOLING PERFORMANCE DATA - 2 TON (LOW SPEED)																		
PACKAGED UNIT MODEL NO. PHE6A2421																		
CONDENSER ENTERING AIR TEMPERATURE	ID CFM	375					575					775						
		IDBB	80	80	75	80	80	80	80	75	80	80	80	80	80	75	80	80
		IDWB	57	62	62	67	72	57	62	62	67	72	57	62	62	67	72	
55 / 45	T.C.	16.2	19.4	19.6	22.2	23.2	18.9	22.2	22.2	24.4	26.5	21.5	25.0	24.8	26.6	29.8		
	S.C.	16.1	15.0	12.9	13.3	10.7	18.8	18.7	16.0	16.0	12.9	21.5	22.4	19.1	18.6	15.0		
	K.W.	0.72	0.71	0.71	0.69	0.68	0.65	0.64	0.64	0.63	0.62	0.58	0.58	0.58	0.57	0.56		
65 / 55	T.C.	15.3	17.9	17.8	20.6	22.3	17.6	20.5	20.3	22.8	25.1	19.8	23.0	22.8	24.9	27.9		
	S.C.	15.3	14.1	12.1	12.5	10.2	17.5	17.9	15.2	15.2	12.2	19.8	21.6	18.2	18.0	14.2		
	K.W.	0.82	0.81	0.80	0.79	0.77	0.75	0.74	0.74	0.73	0.71	0.68	0.68	0.68	0.67	0.66		
75 / 63	T.C.	14.5	16.5	16.1	19.1	21.3	16.2	18.8	18.4	21.2	23.6	18.0	21.0	20.8	23.3	25.9		
	S.C.	14.4	13.3	11.3	11.7	9.7	16.2	17.1	14.3	14.5	11.6	18.0	20.9	17.2	17.4	13.4		
	K.W.	0.92	0.91	0.90	0.89	0.87	0.84	0.84	0.83	0.82	0.81	0.77	0.77	0.77	0.76	0.75		
85 / 69	T.C.	13.1	14.9	14.6	17.2	19.6	15.0	16.8	16.5	19.0	21.7	16.9	18.8	18.4	20.9	23.8		
	S.C.	13.1	12.6	10.5	10.9	8.9	15.0	15.6	13.3	13.6	10.8	16.9	18.7	16.1	16.3	12.6		
	K.W.	1.04	1.04	1.03	1.02	1.00	0.97	0.97	0.97	0.96	0.94	0.90	0.90	0.91	0.89	0.88		
95 / 75	T.C.	11.8	13.3	13.1	15.4	18.0	13.8	14.9	14.5	16.9	19.8	15.8	16.5	16.0	18.4	21.7		
	S.C.	11.8	11.9	9.7	10.2	8.1	13.8	14.2	12.4	12.8	10.0	15.8	16.5	15.0	15.3	11.8		
	K.W.	1.17	1.17	1.17	1.15	1.13	1.10	1.11	1.11	1.09	1.07	1.03	1.04	1.05	1.03	1.01		
105 / 83	T.C.	10.3	11.1	11.0	13.1	15.6	11.9	12.2	12.1	14.1	16.9	13.5	13.3	13.2	15.1	18.3		
	S.C.	10.3	10.2	8.6	9.0	7.2	11.9	11.8	10.6	11.0	8.8	13.5	13.3	12.6	13.0	10.5		
	K.W.	1.36	1.36	1.35	1.34	1.32	1.28	1.29	1.29	1.27	1.26	1.21	1.22	1.23	1.21	1.19		
115 / 89	T.C.	8.9	9.1	9.1	10.8	13.3	10.1	9.6	9.8	11.3	14.1	11.3	10.2	10.5	11.8	15.0		
	S.C.	8.9	8.6	7.5	8.0	6.3	10.1	9.4	8.8	9.4	7.7	11.2	10.2	10.2	10.8	9.2		
	K.W.	1.53	1.53	1.53	1.51	1.50	1.46	1.46	1.47	1.45	1.44	1.39	1.39	1.41	1.39	1.37		
125 / 95	T.C.	7.5	7.0	7.1	8.6	10.9	8.3	7.0	7.5	8.5	11.3	9.0	7.1	7.9	8.5	11.7		
	S.C.	7.5	7.0	6.3	6.9	5.4	8.3	7.0	7.1	7.7	6.6	9.0	7.1	7.9	8.5	7.9		
	K.W.	1.71	1.71	1.70	1.69	1.68	1.64	1.64	1.64	1.63	1.62	1.57	1.56	1.58	1.57	1.55		

COOLING PERFORMANCE DATA - 2.0 TON (HIGH SPEED)																	
PACKAGED UNIT MODEL NO. PHE6A2421																	
CONDENSER ENTERING AIR TEMPERATURE	ID CFM	550					750					950					
		IDBB	80	80	75	80	80	80	80	75	80	80	80	80	75	80	80
		IDWB	57	62	62	67	72	57	62	62	67	72	57	62	62	67	72
55 / 45	T.C.	23.7	28.2	26.4	28.6	32.2	25.1	30.2	28.9	31.5	34.8	26.5	32.1	31.4	34.4	37.4	
	S.C.	23.5	21.0	18.1	18.1	15.0	24.9	24.4	20.8	20.9	16.6	26.3	27.7	23.5	23.8	18.2	
	K.W.	1.02	1.03	1.03	1.05	1.05	1.00	1.00	1.00	1.02	1.02	0.98	0.98	0.98	0.99	0.99	
65 / 55	T.C.	22.1	25.9	24.7	27.5	30.9	24.0	27.6	26.9	30.0	33.6	25.9	29.3	29.2	32.6	36.3	
	S.C.	22.0	20.0	17.0	17.4	14.2	23.9	23.5	19.8	20.2	15.9	25.8	27.0	22.7	23.0	17.7	
	K.W.	1.13	1.15	1.14	1.16	1.17	1.12	1.12	1.12	1.14	1.14	1.10	1.10	1.10	1.11	1.12	
75 / 63	T.C.	20.5	23.6	22.9	26.3	29.5	22.9	25.1	25.0	28.6	32.3	25.3	26.6	27.0	30.8	35.2	
	S.C.	20.4	18.9	16.0	16.8	13.3	22.8	22.6	18.9	19.5	15.2	25.2	26.2	21.8	22.1	17.1	
	K.W.	1.25	1.27	1.26	1.28	1.29	1.23	1.24	1.23	1.25	1.26	1.22	1.22	1.21	1.23	1.24	
85 / 69	T.C.	19.1	21.7	21.1	24.1	27.5	21.2	23.1	22.7	26.1	30.0	23.3	24.5	24.4	28.1	32.6	
	S.C.	19.0	18.0	15.1	15.6	12.5	21.1	21.1	17.7	18.3	14.2	23.2	24.2	20.4	20.9	15.8	
	K.W.	1.40	1.42	1.41	1.43	1.44	1.39	1.39	1.38	1.41	1.42	1.37	1.37	1.36	1.38	1.40	
95 / 75	T.C.	17.6	19.8	19.3	21.9	25.6	19.5	21.0	20.5	23.6	27.8	21.3	22.3	21.7	25.4	30.0	
	S.C.	17.5	17.0	14.2	14.5	11.8	19.4	19.6	16.6	17.1	13.2	21.2	22.2	19.0	19.7	14.5	
	K.W.	1.56	1.57	1.56	1.59	1.60	1.54	1.54	1.53	1.56	1.58	1.52	1.52	1.51	1.53	1.55	
105 / 83	T.C.	16.1	17.1	17.0	19.3	22.8	17.5	18.0	17.6	20.5	24.3	18.9	18.9	18.1	21.6	25.9	
	S.C.	16.0	15.3	13.1	13.3	10.6	17.4	17.0	14.7	15.6	11.9	18.8	18.8	16.3	17.8	13.3	
	K.W.	1.78	1.78	1.78	1.80	1.81	1.76	1.76	1.75	1.78	1.79	1.74	1.74	1.73	1.75	1.77	
115 / 89	T.C.	14.6	14.6	14.8	16.9	20.0	15.6	15.1	14.7	17.4	21.0	16.6	15.5	14.6	18.0	22.0	
	S.C.	14.5	13.6	12.0	12.2	9.5	15.5	14.5	12.8	14.1	10.8	16.5	15.5	13.6	16.0	12.0	
	K.W.	1.99	1.99	1.99	2.01	2.02	1.98	1.97	1.97	1.99	2.00	1.96	1.95	1.94	1.96	1.98	
125 / 95	T.C.	13.1	12.0	12.6	14.5	17.3	13.7	12.1	11.8	14.4	17.7	14.3	12.2	11.0	14.3	18.0	
	S.C.	13.0	12.0	10.9	11.1	8.4	13.6	12.0	10.9	12.7	9.6	14.2	12.1	11.0	14.2	10.8	
	K.W.	2.21	2.20	2.21	2.22	2.23	2.19	2.18	2.18	2.20	2.21	2.17	2.16	2.15	2.17	2.18	



COOLING PERFORMANCE DATA - 2.5 TON (LOW SPEED)																	
PACKAGED UNIT MODEL NO. PHE6A3021																	
CONDENSER ENTERING AIR TEMPERATURE	ID CFM	550					750					950					
		IDDB	80	80	75	80	80	80	80	75	80	80	80	80	75	80	80
		IDWB	57	62	62	67	72	57	62	62	67	72	57	62	62	67	72
55 / 45	T.C.	22.7	25.9	25.8	29.0	32.4	25.4	27.8	28.6	32.0	35.3	28.1	29.7	31.3	35.0	38.2	
	S.C.	21.8	19.8	17.2	17.4	14.2	24.4	23.5	20.0	20.3	16.1	27.0	27.1	22.8	23.2	17.9	
	K.W.	1.05	1.03	1.04	1.02	1.02	1.04	1.03	1.04	1.02	1.01	1.03	1.03	1.03	1.02	1.00	
65 / 55	T.C.	21.2	23.8	24.0	26.9	30.3	23.7	25.4	26.2	29.4	32.9	26.1	27.0	28.4	31.9	35.4	
	S.C.	20.4	19.1	16.3	16.5	13.5	22.8	22.2	19.0	19.2	15.3	25.1	25.2	21.7	21.9	17.0	
	K.W.	1.20	1.18	1.19	1.17	1.17	1.19	1.18	1.18	1.17	1.16	1.17	1.17	1.17	1.16	1.15	
75 / 63	T.C.	19.8	21.7	22.2	24.9	28.3	22.0	23.0	23.8	26.9	30.4	24.2	24.3	25.5	28.8	32.6	
	S.C.	19.0	18.4	15.4	15.6	12.8	21.1	20.9	18.0	18.1	14.5	23.3	23.4	20.7	20.6	16.2	
	K.W.	1.35	1.34	1.34	1.32	1.31	1.33	1.33	1.33	1.32	1.30	1.32	1.32	1.32	1.31	1.30	
85 / 69	T.C.	18.0	19.6	19.9	22.8	26.1	20.0	20.7	21.2	24.5	28.0	22.0	21.8	22.4	26.3	29.9	
	S.C.	17.4	17.4	14.2	14.5	11.7	19.3	19.2	16.8	17.0	13.3	21.2	21.0	19.4	19.5	14.9	
	K.W.	1.55	1.54	1.54	1.53	1.51	1.53	1.53	1.53	1.52	1.50	1.52	1.52	1.53	1.51	1.50	
95 / 75	T.C.	16.3	17.6	17.7	20.7	24.0	18.1	18.4	18.5	22.2	25.6	19.8	19.3	19.4	23.7	27.2	
	S.C.	15.7	16.4	13.1	13.5	10.6	17.4	17.5	15.6	16.0	12.0	19.1	18.6	18.1	18.5	13.5	
	K.W.	1.75	1.75	1.75	1.73	1.70	1.73	1.73	1.74	1.72	1.70	1.72	1.72	1.73	1.71	1.69	
105 / 83	T.C.	14.6	15.0	15.1	18.0	21.1	15.9	15.4	15.4	18.6	21.9	17.2	15.9	15.7	19.3	22.8	
	S.C.	14.0	14.1	12.0	12.3	9.4	15.3	14.7	13.3	14.0	10.7	16.6	15.2	14.7	15.7	12.0	
	K.W.	2.02	2.02	2.02	2.00	1.97	2.01	2.00	2.01	1.99	1.97	1.99	1.99	1.99	2.00	1.99	
115 / 89	T.C.	13.0	12.5	12.6	15.3	18.3	13.8	12.5	12.3	15.1	18.4	14.7	12.5	12.0	15.0	18.5	
	S.C.	12.5	11.8	10.9	11.1	8.3	13.3	11.9	11.1	12.1	9.4	14.1	12.0	11.4	13.0	10.5	
	K.W.	2.29	2.28	2.28	2.27	2.24	2.27	2.26	2.27	2.26	2.24	2.26	2.25	2.26	2.26	2.24	
125 / 95	T.C.	11.3	9.9	10.1	12.6	15.4	11.7	9.5	9.3	11.7	14.8	12.1	9.1	8.4	10.7	14.2	
	S.C.	10.9	9.6	9.8	10.0	7.2	11.3	9.2	8.9	10.1	8.2	11.6	8.8	8.1	10.3	9.1	
	K.W.	2.55	2.54	2.54	2.53	2.51	2.54	2.53	2.53	2.53	2.50	2.53	2.51	2.53	2.53	2.50	

COOLING PERFORMANCE DATA - 2.5 TON (HIGH SPEED)																	
PACKAGED UNIT MODEL NO. PHE6A3021																	
CONDENSER ENTERING AIR TEMPERATURE	ID CFM	750					950					1150					
		IDDB	80	80	75	80	80	80	80	75	80	80	80	80	75	80	80
		IDWB	57	62	62	67	72	57	62	62	67	72	57	62	62	67	72
55 / 45	T.C.	28.5	32.9	33.2	35.9	38.0	30.7	35.2	35.1	37.6	39.5	32.9	37.5	37.0	39.4	41.1	
	S.C.	28.4	25.9	22.4	22.3	17.9	30.6	28.9	24.7	24.3	19.1	32.8	32.0	26.9	26.3	20.2	
	K.W.	1.57	1.59	1.59	1.61	1.61	1.66	1.67	1.67	1.69	1.69	1.76	1.76	1.76	1.77	1.77	
65 / 55	T.C.	27.0	31.2	31.3	34.8	37.1	28.9	33.2	33.1	36.3	38.5	30.8	35.1	34.8	37.9	39.9	
	S.C.	26.9	25.0	21.4	21.3	17.3	28.8	28.1	23.7	23.5	18.4	30.7	31.1	26.0	25.7	19.5	
	K.W.	1.74	1.77	1.76	1.79	1.80	1.84	1.85	1.85	1.87	1.88	1.93	1.94	1.93	1.96	1.96	
75 / 63	T.C.	25.5	29.6	29.4	33.7	36.3	27.1	31.1	31.0	35.1	37.5	28.7	32.6	32.6	36.4	38.8	
	S.C.	25.4	24.2	20.4	20.4	16.7	27.0	27.2	22.7	22.7	17.8	28.7	30.3	25.1	25.1	18.9	
	K.W.	1.92	1.95	1.93	1.97	1.98	2.02	2.03	2.02	2.06	2.07	2.11	2.12	2.11	2.15	2.16	
85 / 69	T.C.	23.8	27.1	27.2	31.2	33.7	25.1	28.4	28.5	32.4	34.6	26.4	29.7	29.8	33.5	35.5	
	S.C.	23.7	22.8	19.1	19.2	15.5	25.0	25.7	21.4	21.4	16.5	26.3	28.5	23.7	23.6	17.6	
	K.W.	2.15	2.17	2.17	2.20	2.21	2.25	2.26	2.25	2.28	2.30	2.34	2.34	2.34	2.37	2.38	
95 / 75	T.C.	22.1	24.5	25.1	28.8	31.1	23.0	25.7	26.0	29.7	31.6	24.0	26.8	26.9	30.6	32.2	
	S.C.	22.0	21.5	17.7	17.9	14.3	23.0	24.1	20.0	20.0	15.3	23.9	26.7	22.3	22.1	16.3	
	K.W.	2.39	2.40	2.40	2.42	2.45	2.48	2.48	2.48	2.51	2.53	2.57	2.56	2.56	2.60	2.61	
105 / 83	T.C.	19.8	22.0	22.5	25.7	28.4	20.4	22.9	23.1	26.4	28.8	21.0	23.9	23.8	27.0	29.2	
	S.C.	19.8	20.0	16.4	16.5	12.9	20.3	21.9	18.3	18.4	13.8	20.9	23.8	20.3	20.4	14.7	
	K.W.	2.71	2.72	2.72	2.74	2.77	2.81	2.81	2.80	2.83	2.85	2.90	2.89	2.89	2.92	2.93	
115 / 89	T.C.	17.7	19.6	19.9	22.7	25.8	17.8	20.3	20.4	23.1	26.0	18.0	21.0	20.8	23.5	26.3	
	S.C.	17.6	18.6	15.0	15.1	11.7	17.8	19.8	16.7	16.9	12.4	18.0	20.9	18.5	18.7	13.1	
	K.W.	3.03	3.03	3.03	3.06	3.09	3.12	3.12	3.12	3.14	3.17	3.21	3.21	3.20	3.23	3.25	
125 / 95	T.C.	15.5	17.2	17.3	19.8	23.2	15.3	17.7	17.6	19.9	23.3	15.1	18.1	17.8	20.0	23.4	
	S.C.	15.4	17.2	13.7	13.7	10.4	15.2	17.6	15.1	15.4	10.9	15.1	18.1	16.6	17.1	11.5	
	K.W.	3.35	3.35	3.35	3.37	3.41	3.44	3.44	3.43	3.45	3.48	3.53	3.53	3.51	3.54	3.56	

COOLING PERFORMANCE DATA - 3 TON (LOW SPEED)																
PACKAGED UNIT MODEL NO. PHE6B3621																
CONDENSER ENTERING AIR TEMPERATURE	ID CFM	600					800					1000				
	IDDB	80	80	75	80	80	80	80	75	80	80	80	80	75	80	80
	IDWB	57	62	62	67	72	57	62	62	67	72	57	62	62	67	72
55 / 45	T.C.	25.7	28.0	28.1	31.4	33.6	29.0	30.2	30.5	33.9	36.3	32.3	32.4	33.0	36.3	39.0
	S.C.	24.3	21.9	19.0	19.0	15.6	27.6	25.8	21.8	21.8	17.4	30.9	29.7	24.7	24.6	19.1
	K.W.	1.12	1.10	1.11	1.08	1.06	1.05	1.04	1.05	1.02	1.01	0.99	0.99	1.00	0.97	0.96
65 / 55	T.C.	24.2	26.2	26.7	29.4	32.6	27.0	28.5	28.9	32.0	35.1	29.8	30.8	31.2	34.7	37.5
	S.C.	23.3	21.0	18.1	18.1	14.8	26.2	25.1	21.1	21.1	16.7	29.1	29.2	24.0	24.0	18.6
	K.W.	1.28	1.26	1.26	1.24	1.21	1.21	1.20	1.20	1.18	1.16	1.15	1.14	1.15	1.13	1.11
75 / 63	T.C.	22.6	24.5	25.3	27.5	31.7	25.0	26.8	27.3	30.2	33.9	27.3	29.2	29.3	33.0	36.0
	S.C.	22.3	20.2	17.3	17.3	14.1	24.8	24.4	20.3	20.4	16.1	27.3	28.7	23.3	23.4	18.1
	K.W.	1.44	1.41	1.41	1.39	1.36	1.37	1.36	1.36	1.34	1.31	1.31	1.30	1.30	1.28	1.26
85 / 69	T.C.	21.2	22.9	23.4	26.0	30.1	23.5	25.0	25.3	28.4	31.9	25.8	27.0	27.2	30.7	33.8
	S.C.	21.0	19.3	16.4	16.5	13.4	23.4	23.0	19.4	19.5	15.3	25.8	26.8	22.3	22.6	17.2
	K.W.	1.64	1.63	1.62	1.60	1.57	1.58	1.57	1.56	1.54	1.52	1.51	1.51	1.51	1.49	1.46
95 / 75	T.C.	19.7	21.3	21.6	24.6	28.5	22.0	23.1	23.3	26.5	30.0	24.3	24.9	25.1	28.5	31.6
	S.C.	19.7	18.5	15.5	15.7	12.8	22.0	21.6	18.4	18.7	14.5	24.3	24.8	21.3	21.7	16.3
	K.W.	1.85	1.84	1.83	1.80	1.77	1.78	1.78	1.77	1.75	1.72	1.72	1.72	1.72	1.70	1.66
105 / 83	T.C.	17.5	19.3	19.2	22.1	25.7	19.5	20.8	20.7	23.7	27.2	21.4	22.4	22.3	25.3	28.7
	S.C.	17.5	17.1	14.3	14.6	11.7	19.5	19.7	17.0	17.4	13.4	21.4	22.4	19.7	20.2	15.1
	K.W.	2.13	2.12	2.12	2.09	2.07	2.07	2.06	2.06	2.04	2.01	2.00	2.00	2.01	1.99	1.96
115 / 89	T.C.	15.5	17.3	16.9	19.8	23.0	17.0	18.6	18.2	21.0	24.5	18.6	19.9	19.5	22.2	25.9
	S.C.	15.5	15.9	13.1	13.5	10.7	17.0	17.9	15.6	16.1	12.3	18.5	19.9	18.2	18.8	13.9
	K.W.	2.40	2.39	2.40	2.38	2.35	2.34	2.34	2.35	2.33	2.30	2.28	2.28	2.30	2.27	2.24
125 / 95	T.C.	13.4	15.3	14.6	17.4	20.3	14.5	16.4	15.7	18.3	21.7	15.7	17.5	16.8	19.1	23.1
	S.C.	13.4	14.6	12.0	12.4	9.6	14.5	16.1	14.3	14.9	11.2	15.7	17.5	16.6	17.4	12.8
	K.W.	2.68	2.67	2.68	2.66	2.64	2.62	2.61	2.63	2.61	2.58	2.56	2.56	2.58	2.56	2.53

COOLING PERFORMANCE DATA - 3 TON (HIGH SPEED)																
PACKAGED UNIT MODEL NO. PHE6B3621																
CONDENSER ENTERING AIR TEMPERATURE	ID CFM	1000					1200					1400				
	IDDB	80	80	75	80	80	80	80	75	80	80	80	80	75	80	80
	IDWB	57	62	62	67	72	57	62	62	67	72	57	62	62	67	72
55 / 45	T.C.	38.4	40.9	39.9	43.0	46.5	41.0	42.7	41.6	45.5	48.3	43.7	44.4	43.4	47.9	50.1
	S.C.	35.6	32.0	27.1	27.4	0.6	37.9	35.1	29.6	29.5	12.7	40.1	38.3	32.1	31.6	24.7
	K.W.	1.83	1.86	1.85	1.88	1.90	1.92	1.93	1.92	1.96	1.97	2.00	2.00	2.00	2.03	2.05
65 / 55	T.C.	37.0	38.6	31.9	41.5	44.1	39.5	40.3	36.5	43.4	46.5	42.0	42.1	41.1	45.4	48.8
	S.C.	34.2	31.1	25.3	26.4	11.4	36.4	34.3	28.3	28.7	17.6	38.5	37.5	31.3	31.0	23.9
	K.W.	2.01	2.03	2.80	2.06	2.08	2.10	2.11	2.49	2.14	2.16	2.19	2.19	2.18	2.22	2.23
75 / 63	T.C.	35.5	36.2	24.0	40.0	41.8	37.9	38.0	31.4	41.4	44.6	40.3	39.7	38.8	42.9	47.4
	S.C.	32.9	30.2	23.4	25.4	22.2	34.9	33.5	27.0	27.9	22.6	36.9	36.8	30.6	30.4	23.0
	K.W.	2.19	2.21	3.75	2.24	2.25	2.28	2.29	3.05	2.32	2.34	2.37	2.37	2.36	2.40	2.42
85 / 69	T.C.	33.8	34.0	27.8	37.3	40.2	36.0	35.5	32.0	38.7	42.5	38.2	37.0	36.2	40.0	44.7
	S.C.	31.2	29.0	23.2	24.3	20.3	33.0	32.1	26.2	26.7	21.1	34.9	35.3	29.2	29.1	21.9
	K.W.	2.43	2.45	3.22	2.48	2.49	2.52	2.53	2.91	2.56	2.57	2.60	2.60	2.59	2.63	2.65
95 / 75	T.C.	32.1	31.8	31.6	34.7	38.6	34.1	33.0	32.6	35.9	40.3	36.1	34.2	33.6	37.1	42.0
	S.C.	29.5	27.9	23.0	23.2	18.3	31.2	30.8	25.4	25.5	19.6	32.9	33.7	27.7	27.8	20.8
	K.W.	2.67	2.68	2.68	2.72	2.73	2.76	2.76	2.76	2.79	2.81	2.84	2.84	2.83	2.86	2.88
105 / 83	T.C.	29.3	28.9	28.7	31.5	35.6	31.0	30.0	29.4	32.4	36.9	32.6	31.1	30.1	33.4	38.2
	S.C.	27.4	26.2	21.5	21.7	16.9	28.9	28.4	23.7	24.0	18.1	30.3	30.6	26.0	26.3	19.3
	K.W.	3.04	3.04	3.04	3.07	3.09	3.12	3.12	3.11	3.14	3.16	3.20	3.20	3.19	3.21	3.24
115 / 89	T.C.	26.7	26.1	25.9	28.4	32.7	27.9	27.0	26.3	29.0	33.6	29.2	28.0	26.7	29.7	34.5
	S.C.	25.4	24.5	20.1	20.3	15.6	26.6	26.0	22.2	22.6	16.7	27.8	27.6	24.3	24.9	17.9
	K.W.	3.39	3.39	3.39	3.42	3.43	3.47	3.47	3.46	3.49	3.51	3.55	3.55	3.53	3.56	3.58
125 / 95	T.C.	24.0	23.2	23.0	25.3	29.8	24.9	24.1	23.2	25.7	30.3	25.8	24.9	23.4	26.1	30.8
	S.C.	23.4	22.9	18.7	18.9	14.3	24.4	23.7	20.6	21.1	15.3	25.4	24.5	22.5	23.4	16.4
	K.W.	3.75	3.74	3.74	3.76	3.78	3.82	3.82	3.81	3.83	3.85	3.90	3.90	3.87	3.90	3.92

COOLING PERFORMANCE DATA - 3.5 TON (LOW SPEED)																
PACKAGED UNIT MODEL NO. PHE6B4221																
CONDENSER ENTERING AIR TEMPERATURE	ID CFM	760					960					1160				
	IDDB	80	80	75	80	80	80	80	75	80	80	80	80	75	80	80
	IDWB	57	62	62	67	72	57	62	62	67	72	57	62	62	67	72
55 / 45	T.C.	35.2	37.9	38.9	41.9	45.5	37.7	39.8	41.7	43.7	46.5	40.2	41.7	44.5	45.6	47.6
	S.C.	34.3	29.2	25.9	25.1	21.0	37.1	32.7	29.0	27.5	22.3	39.8	36.2	32.2	29.9	23.5
	K.W.	1.26	1.23	1.24	1.22	1.22	1.26	1.24	1.25	1.23	1.23	1.25	1.24	1.25	1.24	1.24
65 / 55	T.C.	33.8	35.6	36.7	40.2	43.9	36.2	37.6	39.4	42.2	45.5	38.6	39.6	42.1	44.3	47.0
	S.C.	32.6	28.0	24.5	24.6	20.1	35.4	31.7	27.9	27.3	21.6	38.2	35.4	31.2	29.9	23.0
	K.W.	1.44	1.41	1.42	1.40	1.40	1.44	1.42	1.43	1.41	1.41	1.44	1.43	1.44	1.43	1.42
75 / 63	T.C.	32.5	33.4	34.5	38.4	42.2	34.7	35.5	37.1	40.7	44.4	37.0	37.6	39.6	43.0	46.5
	S.C.	31.0	26.9	23.2	24.1	19.2	33.7	30.8	26.7	27.0	20.9	36.5	34.6	30.2	30.0	22.5
	K.W.	1.62	1.60	1.60	1.59	1.58	1.62	1.61	1.61	1.60	1.59	1.62	1.62	1.63	1.61	1.60
85 / 69	T.C.	30.9	31.3	31.8	35.9	39.2	32.9	33.1	34.1	38.1	40.8	34.8	34.9	36.3	40.3	42.4
	S.C.	29.4	25.9	21.7	22.6	17.9	31.7	29.6	25.2	25.6	19.5	34.1	33.3	28.7	28.6	21.0
	K.W.	1.86	1.84	1.85	1.83	1.81	1.86	1.85	1.86	1.84	1.82	1.86	1.86	1.87	1.85	1.83
95 / 75	T.C.	29.4	29.1	29.0	33.3	36.1	31.0	30.7	31.0	35.4	37.2	32.6	32.3	33.0	37.5	38.3
	S.C.	27.8	25.0	20.2	21.1	16.7	29.8	28.5	23.8	24.2	18.1	31.7	32.0	27.3	27.3	19.5
	K.W.	2.10	2.08	2.10	2.07	2.03	2.11	2.09	2.11	2.08	2.05	2.11	2.10	2.11	2.09	2.07
105 / 83	T.C.	26.9	25.6	25.3	29.3	32.2	28.4	26.8	26.8	30.7	32.9	29.9	28.1	28.3	32.1	33.5
	S.C.	25.0	22.8	18.4	19.1	14.9	26.9	25.3	21.4	22.0	16.3	28.7	27.8	24.4	25.0	17.7
	K.W.	2.42	2.40	2.41	2.39	2.35	2.42	2.41	2.42	2.40	2.37	2.42	2.41	2.43	2.41	2.39
115 / 89	T.C.	24.6	22.1	21.6	25.5	28.4	25.9	23.1	22.6	26.1	28.7	27.3	24.1	23.7	26.8	28.9
	S.C.	22.4	20.6	16.6	17.2	13.2	24.1	22.2	19.1	20.0	14.6	25.7	23.9	21.6	22.7	15.9
	K.W.	2.73	2.71	2.71	2.70	2.66	2.73	2.72	2.72	2.71	2.68	2.73	2.72	2.73	2.72	2.69
125 / 95	T.C.	22.2	18.6	17.9	21.6	24.7	23.4	19.3	18.5	21.6	24.5	24.6	20.0	19.0	21.5	24.3
	S.C.	19.8	18.4	14.9	15.3	11.6	21.3	19.1	16.9	17.9	12.8	22.7	19.9	18.9	20.4	14.1
	K.W.	3.04	3.03	3.02	3.02	2.97	3.03	3.02	3.03	3.02	2.98	3.03	3.02	3.04	3.03	3.00

COOLING PERFORMANCE DATA - 3.5 TON (HIGH SPEED)																
PACKAGED UNIT MODEL NO. PHE6B4221																
CONDENSER ENTERING AIR TEMPERATURE	ID CFM	1090					1290					1490				
	IDDB	80	80	75	80	80	80	80	75	80	80	80	80	75	80	80
	IDWB	57	62	62	67	72	57	62	62	67	72	57	62	62	67	72
55 / 45	T.C.	42.7	44.9	45.5	48.5	48.6	44.1	45.2	46.1	48.5	49.7	45.5	45.4	46.7	48.5	50.7
	S.C.	42.3	35.0	31.2	29.8	23.0	43.9	37.4	33.0	31.0	23.7	45.5	39.9	34.8	32.1	24.3
	K.W.	2.25	2.29	2.28	2.29	2.29	2.36	2.38	2.38	2.38	2.38	2.47	2.47	2.47	2.47	2.46
65 / 55	T.C.	41.7	43.1	43.4	47.7	48.8	43.2	43.7	44.3	48.1	49.9	44.8	44.4	45.1	48.4	51.1
	S.C.	40.8	34.5	29.9	29.4	22.8	42.6	37.2	32.1	30.9	23.7	44.3	39.9	34.2	32.4	24.6
	K.W.	2.49	2.54	2.52	2.55	2.56	2.61	2.63	2.62	2.64	2.65	2.72	2.72	2.72	2.74	2.74
75 / 63	T.C.	40.7	41.3	41.3	46.9	48.9	42.4	42.3	42.4	47.6	50.2	44.0	43.3	43.5	48.3	51.5
	S.C.	39.4	33.9	28.7	29.0	22.6	41.3	36.9	31.1	30.9	23.7	43.1	39.9	33.6	32.7	24.8
	K.W.	2.74	2.78	2.77	2.81	2.84	2.85	2.87	2.87	2.91	2.93	2.97	2.97	2.97	3.00	3.03
85 / 69	T.C.	38.4	38.5	38.1	44.0	46.0	39.9	39.5	39.1	44.8	47.5	41.4	40.4	40.2	45.5	48.9
	S.C.	37.2	32.6	27.2	27.7	21.3	39.0	35.6	29.6	29.8	22.6	40.7	38.6	32.1	32.0	23.8
	K.W.	3.07	3.09	3.08	3.13	3.16	3.18	3.19	3.18	3.22	3.25	3.29	3.29	3.28	3.32	3.35
95 / 75	T.C.	36.1	35.8	34.9	41.0	43.1	37.4	36.6	35.9	41.9	44.8	38.7	37.4	36.8	42.8	46.4
	S.C.	35.1	31.3	25.8	26.3	20.0	36.7	34.4	28.1	28.8	21.4	38.3	37.4	30.5	31.3	22.7
	K.W.	3.39	3.40	3.40	3.45	3.47	3.50	3.50	3.50	3.54	3.58	3.61	3.61	3.59	3.63	3.68
105 / 83	T.C.	33.3	32.1	31.2	37.0	38.9	34.3	32.7	31.9	37.7	40.2	35.2	33.3	32.5	38.3	41.5
	S.C.	32.5	29.2	23.8	24.5	17.9	33.7	31.2	26.0	26.9	19.4	34.9	33.3	28.1	29.3	20.9
	K.W.	3.85	3.86	3.85	3.90	3.93	3.95	3.96	3.95	3.99	4.02	4.06	4.06	4.04	4.07	4.12
115 / 89	T.C.	30.7	28.6	27.6	33.1	34.8	31.2	29.0	28.0	33.6	35.8	31.8	29.3	28.3	34.0	36.8
	S.C.	30.0	27.2	21.9	22.9	15.7	30.8	28.2	23.9	25.0	17.5	31.7	29.3	25.8	27.2	19.2
	K.W.	4.29	4.31	4.29	4.33	4.36	4.39	4.40	4.39	4.42	4.45	4.50	4.49	4.48	4.51	4.55
125 / 95	T.C.	28.0	25.1	24.1	29.2	30.7	28.2	25.2	24.1	29.5	31.4	28.4	25.3	24.2	29.7	32.0
	S.C.	27.5	25.1	20.0	21.2	13.6	27.9	25.2	21.8	23.2	15.5	28.4	25.3	23.5	25.2	17.4
	K.W.	4.73	4.75	4.73	4.76	4.80	4.83	4.84	4.82	4.85	4.89	4.94	4.93	4.92	4.94	4.98

COOLING PERFORMANCE DATA - 4 TON (LOW SPEED)																
PACKAGED UNIT MODEL NO. PHE6B4821																
CONDENSER ENTERING AIR TEMPERATURE	ID CFM	1050					1250					1450				
	IDDB	80	80	75	80	80	80	80	75	80	80	80	80	75	80	80
	IDWB	57	62	62	67	72	57	62	62	67	72	57	62	62	67	72
55 / 45	T.C.	38.0	38.6	42.2	45.8	48.4	39.5	40.2	43.4	47.0	49.8	40.9	41.7	44.6	48.2	51.2
	S.C.	38.0	34.4	29.9	29.6	23.7	39.5	37.8	32.4	31.9	25.2	40.9	41.2	34.9	34.3	26.7
	K.W.	1.63	1.61	1.62	1.60	1.57	1.59	1.57	1.59	1.56	1.54	1.55	1.53	1.56	1.52	1.51
65 / 55	T.C.	35.9	36.9	39.4	43.5	47.1	37.3	37.9	40.8	44.6	48.2	38.6	38.9	42.1	45.7	49.3
	S.C.	35.9	33.2	28.4	28.4	22.7	37.3	35.9	31.0	30.9	24.3	38.6	38.6	33.5	33.4	25.9
	K.W.	1.90	1.88	1.88	1.86	1.82	1.85	1.84	1.85	1.82	1.79	1.81	1.80	1.81	1.78	1.76
75 / 63	T.C.	33.9	35.2	36.6	41.2	45.8	35.0	35.6	38.2	42.2	46.6	36.2	36.0	39.7	43.3	47.4
	S.C.	33.9	32.0	26.8	27.2	21.6	35.0	34.0	29.5	29.9	23.3	36.2	36.0	32.2	32.6	25.0
	K.W.	2.17	2.14	2.14	2.12	2.07	2.12	2.11	2.11	2.08	2.04	2.07	2.07	2.07	2.05	2.01
85 / 69	T.C.	31.9	31.9	33.5	37.8	41.2	33.0	32.5	34.7	38.7	42.2	34.1	33.1	35.8	39.6	43.1
	S.C.	31.9	30.2	25.3	25.8	20.4	33.0	31.7	27.7	28.4	21.8	34.1	33.1	30.2	30.9	23.3
	K.W.	2.50	2.49	2.49	2.46	2.42	2.46	2.45	2.45	2.43	2.38	2.41	2.41	2.42	2.39	2.35
95 / 75	T.C.	30.0	28.7	30.4	34.5	36.6	31.0	29.4	31.2	35.2	37.7	32.0	30.2	32.0	35.9	38.8
	S.C.	30.0	28.5	23.7	24.4	19.1	31.0	29.3	26.0	26.8	20.3	32.0	30.2	28.3	29.2	21.6
	K.W.	2.84	2.83	2.84	2.80	2.77	2.79	2.79	2.80	2.77	2.73	2.75	2.75	2.76	2.74	2.69
105 / 83	T.C.	27.8	25.0	26.6	30.1	32.9	28.6	26.2	27.1	30.9	33.6	29.4	27.5	27.5	31.6	34.3
	S.C.	27.3	24.9	21.1	22.3	16.9	28.3	26.2	23.1	24.8	18.3	29.4	27.5	25.1	27.2	19.7
	K.W.	3.29	3.28	3.28	3.26	3.22	3.24	3.24	3.26	3.22	3.18	3.20	3.20	3.23	3.19	3.15
115 / 89	T.C.	25.7	21.4	23.0	25.9	29.3	26.3	23.1	23.1	26.7	29.6	26.9	24.8	23.2	27.5	29.8
	S.C.	24.7	21.4	18.6	20.4	14.8	25.8	23.1	20.3	22.8	16.3	26.9	24.8	22.0	25.3	17.8
	K.W.	3.73	3.72	3.72	3.71	3.65	3.68	3.68	3.70	3.67	3.62	3.63	3.64	3.68	3.63	3.59
125 / 95	T.C.	23.6	17.9	19.3	21.7	25.7	24.0	20.0	19.1	22.5	25.6	24.4	22.1	18.8	23.3	25.4
	S.C.	22.0	17.9	16.0	18.4	12.7	23.2	20.0	17.4	20.8	14.3	24.4	22.1	18.8	23.3	16.0
	K.W.	4.16	4.16	4.15	4.15	4.09	4.11	4.12	4.14	4.11	4.07	4.06	4.08	4.12	4.06	4.04

COOLING PERFORMANCE DATA - 4 TON (HIGH SPEED)																
PACKAGED UNIT MODEL NO. PHE6B4821																
CONDENSER ENTERING AIR TEMPERATURE	ID CFM	1350					1550					1750				
	IDDB	80	80	75	80	80	80	80	75	80	80	80	80	75	80	80
	IDWB	57	62	62	67	72	57	62	62	67	72	57	62	62	67	72
55 / 45	T.C.	50.4	51.0	53.4	58.8	61.8	52.7	52.5	55.1	60.0	63.5	55.0	53.9	56.7	61.3	65.3
	S.C.	50.3	44.3	37.2	36.9	29.3	52.1	46.8	39.8	39.1	30.4	53.8	49.4	42.5	41.2	31.5
	K.W.	2.68	2.71	2.71	2.74	2.78	2.76	2.78	2.78	2.81	2.84	2.83	2.86	2.84	2.88	2.90
65 / 55	T.C.	45.9	47.7	48.9	55.8	59.1	47.3	49.2	50.2	57.3	61.2	48.6	50.6	51.6	58.7	63.4
	S.C.	45.9	42.7	35.9	36.0	27.9	46.9	45.4	38.2	38.0	29.2	48.0	48.1	40.6	40.0	30.5
	K.W.	2.96	2.99	2.98	3.03	3.06	3.04	3.06	3.05	3.10	3.13	3.11	3.14	3.12	3.16	3.20
75 / 63	T.C.	41.4	44.4	44.3	52.8	56.4	41.8	45.9	45.4	54.5	59.0	42.2	47.3	46.4	56.2	61.5
	S.C.	41.4	41.0	34.5	35.1	26.5	41.8	43.9	36.6	36.9	28.0	42.2	46.7	38.7	38.8	29.5
	K.W.	3.24	3.27	3.26	3.31	3.35	3.32	3.34	3.32	3.38	3.42	3.39	3.41	3.39	3.45	3.50
85 / 69	T.C.	39.4	40.9	41.2	49.0	52.0	39.5	41.8	41.9	50.2	54.2	39.7	42.6	42.6	51.5	56.3
	S.C.	39.4	39.0	32.5	33.1	24.7	39.5	40.7	34.7	35.0	25.9	39.7	42.4	36.9	36.9	27.0
	K.W.	3.61	3.63	3.62	3.67	3.71	3.69	3.70	3.69	3.74	3.79	3.76	3.77	3.75	3.81	3.86
95 / 75	T.C.	37.3	37.5	38.1	45.3	47.6	37.2	37.7	38.4	46.0	49.4	37.2	38.0	38.8	46.7	51.2
	S.C.	37.3	37.0	30.4	31.1	23.0	37.2	37.5	32.8	33.1	23.8	37.2	38.0	35.1	35.1	24.6
	K.W.	3.98	3.99	3.98	4.02	4.08	4.05	4.05	4.05	4.09	4.15	4.13	4.12	4.12	4.16	4.22
105 / 83	T.C.	34.4	33.7	33.7	40.9	43.4	34.4	34.2	33.7	41.5	44.5	34.4	34.8	33.7	42.1	45.7
	S.C.	34.4	33.3	28.0	29.2	21.3	34.4	34.1	29.6	31.2	22.0	34.4	34.8	31.3	33.2	22.7
	K.W.	4.52	4.53	4.51	4.56	4.60	4.59	4.59	4.58	4.62	4.67	4.66	4.65	4.65	4.69	4.74
115 / 89	T.C.	31.6	30.0	29.4	36.6	39.2	31.6	30.8	29.0	37.1	39.8	31.6	31.6	28.7	37.6	40.3
	S.C.	31.6	29.8	25.6	27.4	19.6	31.6	30.7	26.6	29.4	20.3	31.6	31.6	27.5	31.4	20.9
	K.W.	5.05	5.04	5.03	5.08	5.10	5.11	5.11	5.10	5.14	5.17	5.18	5.17	5.16	5.20	5.24
125 / 95	T.C.	28.8	26.3	25.1	32.4	35.1	28.9	27.4	24.4	32.8	35.1	28.9	28.5	23.8	33.1	35.0
	S.C.	28.8	26.3	23.2	25.6	17.9	28.9	27.4	23.5	27.5	18.5	28.9	28.5	23.8	29.5	19.2
	K.W.	5.57	5.56	5.55	5.61	5.61	5.64	5.62	5.61	5.66	5.68	5.70	5.69	5.67	5.71	5.75

COOLING PERFORMANCE DATA - 5 TON (LOW SPEED)																
PACKAGED UNIT MODEL NO. PHE6B6021																
CONDENSER ENTERING AIR TEMPERATURE	ID CFM	1150					1350					1550				
	IDDB	80	80	75	80	80	80	80	75	80	80	80	80	75	80	80
	IDWB	57	62	62	67	72	57	62	62	67	72	57	62	62	67	72
55 / 45	T.C.	46.1	50.2	50.9	56.9	63.1	47.6	51.3	51.1	58.1	63.4	49.1	52.5	51.3	59.3	63.7
	S.C.	44.9	40.0	34.8	34.4	28.8	46.9	42.9	36.9	36.6	29.6	49.0	45.8	39.1	38.8	30.4
	K.W.	2.03	1.99	2.01	1.98	1.94	2.03	2.00	2.01	1.98	1.95	2.03	2.01	2.01	1.99	1.95
65 / 55	T.C.	43.7	46.8	47.0	52.6	58.8	45.3	47.8	47.4	53.7	58.9	46.8	48.8	47.9	54.9	59.1
	S.C.	42.7	38.3	33.0	32.7	27.2	44.5	41.0	35.0	34.9	28.3	46.4	43.6	37.0	37.2	29.4
	K.W.	2.34	2.29	2.30	2.27	2.22	2.34	2.29	2.29	2.27	2.23	2.33	2.30	2.29	2.28	2.23
75 / 63	T.C.	41.3	43.4	43.1	48.2	54.5	42.9	44.2	43.7	49.3	54.5	44.5	45.0	44.4	50.5	54.5
	S.C.	40.4	36.6	31.2	30.9	25.7	42.1	39.0	33.1	33.3	27.0	43.7	41.5	34.9	35.6	28.4
	K.W.	2.65	2.58	2.58	2.56	2.50	2.64	2.58	2.58	2.57	2.50	2.63	2.58	2.57	2.57	2.50
85 / 69	T.C.	38.8	39.7	39.2	44.8	50.4	40.4	40.3	39.7	45.5	50.6	42.0	40.9	40.2	46.3	50.7
	S.C.	38.0	34.3	29.2	29.5	23.8	39.3	36.6	30.9	31.6	25.0	40.7	38.8	32.6	33.7	26.2
	K.W.	3.02	2.95	2.95	2.93	2.88	3.01	2.95	2.95	2.94	2.88	3.00	2.96	2.96	2.95	2.88
95 / 75	T.C.	36.3	36.0	35.4	41.3	46.4	37.9	36.4	35.7	41.7	46.7	39.5	36.8	36.0	42.1	47.0
	S.C.	35.5	32.0	27.2	28.0	21.9	36.6	34.1	28.8	29.9	23.0	37.7	36.2	30.3	31.8	24.0
	K.W.	3.39	3.32	3.32	3.30	3.25	3.38	3.33	3.33	3.31	3.26	3.37	3.33	3.34	3.32	3.26
105 / 83	T.C.	33.0	32.3	31.3	36.6	41.3	34.1	32.5	31.3	36.8	41.3	35.3	32.7	31.4	36.9	41.3
	S.C.	32.4	29.7	25.0	25.9	19.8	33.2	31.0	26.4	27.6	20.8	34.1	32.3	27.7	29.4	21.8
	K.W.	3.87	3.81	3.82	3.79	3.75	3.86	3.82	3.83	3.80	3.75	3.85	3.82	3.83	3.81	3.76
115 / 89	T.C.	29.7	28.8	27.3	32.1	36.5	30.5	28.8	27.2	32.0	36.1	31.2	28.7	27.0	31.9	35.7
	S.C.	29.4	27.4	22.9	23.8	17.9	30.0	28.0	24.0	25.4	18.8	30.6	28.5	25.1	27.0	19.7
	K.W.	4.33	4.29	4.30	4.27	4.22	4.32	4.29	4.30	4.27	4.23	4.31	4.29	4.31	4.28	4.24
125 / 95	T.C.	26.4	25.2	23.3	27.6	31.6	26.8	25.0	23.0	27.2	30.9	27.2	24.8	22.6	26.9	30.2
	S.C.	26.4	25.2	20.7	21.8	15.9	26.7	24.9	21.6	23.2	16.7	27.1	24.7	22.6	24.6	17.6
	K.W.	4.79	4.77	4.78	4.74	4.70	4.78	4.77	4.78	4.75	4.71	4.78	4.77	4.79	4.75	4.72

COOLING PERFORMANCE DATA - 5 TON (HIGH SPEED)																
PACKAGED UNIT MODEL NO. PHE6B6021																
CONDENSER ENTERING AIR TEMPERATURE	ID CFM	1600					1800					2000				
	IDDB	80	80	75	80	80	80	80	75	80	80	80	80	75	80	80
	IDWB	57	62	62	67	72	57	62	62	67	72	57	62	62	67	72
55 / 45	T.C.	60.7	66.7	64.3	72.7	76.9	62.6	67.7	65.8	73.8	77.1	64.5	68.7	67.4	74.9	77.2
	S.C.	60.3	52.5	45.5	45.9	38.6	62.4	55.4	47.5	47.7	39.3	64.4	58.3	49.5	49.6	40.1
	K.W.	3.19	3.26	3.58	3.36	3.71	3.46	3.52	3.67	3.61	3.78	3.72	3.77	3.77	3.86	3.86
65 / 55	T.C.	57.4	62.5	61.2	68.2	73.2	59.2	63.6	62.2	68.7	73.4	61.0	64.6	63.1	69.1	73.5
	S.C.	57.2	50.6	43.3	44.0	36.8	59.1	53.4	45.4	45.8	37.6	60.9	56.2	47.6	47.6	38.5
	K.W.	3.68	3.75	3.75	3.68	4.04	3.87	3.92	3.92	3.93	4.13	4.05	4.10	4.09	4.18	4.21
75 / 63	T.C.	54.1	58.4	58.2	63.8	69.6	55.8	59.5	58.5	63.5	69.7	57.5	60.5	58.9	63.2	69.9
	S.C.	54.1	48.7	41.1	42.0	35.0	55.8	51.4	43.4	43.8	35.9	57.4	54.1	45.7	45.6	36.8
	K.W.	4.17	4.24	3.92	4.00	4.37	4.28	4.33	4.16	4.25	4.47	4.38	4.42	4.41	4.51	4.56
85 / 69	T.C.	50.5	54.3	53.1	59.5	64.2	51.6	54.9	53.5	59.2	64.7	52.7	55.6	53.9	59.0	65.2
	S.C.	50.5	46.4	39.0	39.9	32.3	51.6	48.8	41.0	41.4	32.9	52.7	51.1	42.9	43.0	33.5
	K.W.	4.45	4.66	4.50	4.43	4.81	4.63	4.76	4.67	4.68	4.90	4.82	4.85	4.83	4.93	5.00
95 / 75	T.C.	47.0	50.2	48.1	55.1	58.8	47.5	50.4	48.5	54.9	59.6	48.0	50.7	48.8	54.7	60.5
	S.C.	46.9	44.0	37.0	37.8	29.6	47.4	46.1	38.6	39.1	29.9	48.0	48.1	40.2	40.4	30.2
	K.W.	4.72	5.09	5.09	4.85	5.25	4.99	5.18	5.17	5.10	5.34	5.25	5.27	5.25	5.35	5.43
105 / 83	T.C.	42.3	45.1	43.6	49.1	53.1	43.1	45.2	43.5	48.7	53.3	43.9	45.3	43.3	48.2	53.6
	S.C.	42.3	41.0	34.3	35.1	26.9	43.1	42.3	35.8	36.5	27.3	43.9	43.6	37.3	37.9	27.8
	K.W.	5.47	5.71	5.60	5.46	5.74	5.67	5.80	5.74	5.70	5.88	5.88	5.89	5.87	5.95	6.03
115 / 89	T.C.	37.8	40.1	39.3	43.3	47.5	38.9	40.1	38.6	42.6	47.2	40.0	40.1	38.0	42.0	46.9
	S.C.	37.7	38.0	31.7	32.5	24.3	38.8	38.6	33.1	34.0	24.9	39.9	39.2	34.5	35.4	25.4
	K.W.	6.19	6.32	6.10	6.04	6.22	6.34	6.41	6.29	6.29	6.41	6.48	6.50	6.48	6.53	6.61
125 / 95	T.C.	33.2	35.1	35.0	37.5	42.0	34.6	35.0	33.8	36.6	41.1	36.0	34.8	32.6	35.7	40.2
	S.C.	33.2	35.0	29.1	29.9	21.7	34.6	34.9	30.4	31.4	22.4	36.0	34.8	31.7	33.0	23.0
	K.W.	6.91	6.92	6.59	6.63	6.70	7.00	7.02	6.84	6.87	6.94	7.09	7.11	7.08	7.11	7.18

HEATING PERFORMANCE DATA - 2 TON (LOW SPEED)										
PACKAGED UNIT MODEL NO. PHE6A2421										
AIR TEMPERATURE ENTERING OUTDOOR UNIT	AIR TEMPERATURE ENTERING INDOOR COIL	ID CFM								
		360			560			760		
		MBH	COP	KW	MBH	COP	KW	MBH	COP	KW
60	60	21.6	5.36	1.12	20.3	4.34	1.31	18.9	3.57	1.50
	70	20.2	4.46	1.26	18.9	3.64	1.47	17.6	3.00	1.68
	80	18.8	3.74	1.40	17.6	3.06	1.62	16.4	2.54	1.85
47	60	17.4	4.35	1.11	16.5	3.66	1.26	15.5	3.11	1.41
	70	16.0	3.58	1.25	15.2	3.02	1.41	14.3	2.57	1.57
	80	14.7	2.97	1.38	13.9	2.51	1.56	13.0	2.13	1.74
40	60	20.8	3.88	1.50	20.3	3.27	1.75	19.7	2.81	2.00
	70	19.8	3.33	1.67	19.2	2.81	1.94	18.7	2.42	2.22
	80	18.7	2.88	1.84	18.2	2.44	2.13	17.7	2.09	2.43

HEATING PERFORMANCE DATA - 2.0 TON (HIGH SPEED)										
PACKAGED UNIT MODEL NO. PHE6A2421										
AIR TEMPERATURE ENTERING OUTDOOR UNIT	AIR TEMPERATURE ENTERING INDOOR COIL	ID CFM								
		550			750			950		
		MBH	COP	KW	MBH	COP	KW	MBH	COP	KW
60	60	28.9	4.46	1.83	30.1	4.96	1.69	31.4	5.51	1.55
	70	27.5	3.87	2.01	28.7	4.30	1.86	29.9	4.80	1.71
	80	26.2	3.37	2.21	27.3	3.76	2.03	28.4	4.20	1.87
47	60	24.1	3.95	1.72	25.1	4.34	1.60	26.1	4.78	1.49
	70	22.8	3.40	1.89	23.7	3.72	1.77	24.5	4.08	1.64
	80	21.5	2.95	2.06	22.2	3.21	1.94	22.9	3.50	1.80
40	60	21.0	3.56	1.65	21.9	3.88	1.56	22.8	4.23	1.47
	70	20.3	3.09	1.84	20.8	3.35	1.73	21.4	3.63	1.62
	80	19.5	2.71	2.03	19.8	2.90	1.90	20.0	3.12	1.76
30	60	17.6	3.07	1.61	18.2	3.31	1.52	18.8	3.56	1.44
	70	16.9	2.68	1.77	17.2	2.85	1.68	17.6	3.03	1.59
	80	16.1	2.35	1.94	16.3	2.47	1.84	16.4	2.60	1.74
17	60	13.0	2.43	1.50	13.6	2.59	1.45	14.2	2.76	1.39
	70	12.2	2.08	1.64	12.6	2.19	1.59	13.0	2.31	1.53
	80	11.4	1.79	1.79	11.6	1.86	1.73	11.8	1.94	1.66
10	60	11.2	2.13	1.47	11.3	2.19	1.41	11.3	2.25	1.36
	70	9.9	1.74	1.61	10.1	1.79	1.55	10.1	1.85	1.49
	80	8.7	1.40	1.75	8.9	1.46	1.69	9.0	1.51	1.62

HEATING PERFORMANCE DATA - 2.5 TON (LOW SPEED)										
PACKAGED UNIT MODEL NO. PHE6A3021										
AIR TEMPERATURE ENTERING OUTDOOR UNIT	AIR TEMPERATURE ENTERING INDOOR COIL	ID CFM								
		550			750			950		
		MBH	COP	KW	MBH	COP	KW	MBH	COP	KW
60	60	28.9	5.11	1.51	27.7	4.55	1.69	26.5	4.03	1.86
	70	27.1	4.31	1.70	26.1	3.84	1.89	25.0	3.41	2.08
	80	25.3	3.66	1.88	24.5	3.26	2.09	23.6	2.91	2.30
47	60	22.4	3.98	1.50	21.5	3.67	1.62	20.7	3.36	1.74
	70	21.0	3.36	1.69	20.3	3.09	1.83	19.7	2.84	1.97
	80	19.6	2.84	1.87	19.1	2.63	2.03	18.7	2.42	2.20
40	60	19.3	3.43	1.50	18.8	3.21	1.62	18.3	2.99	1.73
	70	17.7	2.83	1.69	17.3	2.65	1.81	17.0	2.48	1.94
	80	16.1	2.34	1.87	15.9	2.20	2.01	15.6	2.06	2.15

HEATING PERFORMANCE DATA - 2.5 TON (HIGH SPEED)										
PACKAGED UNIT MODEL NO. PHE6A3021										
AIR TEMPERATURE ENTERING OUTDOOR UNIT	AIR TEMPERATURE ENTERING INDOOR COIL	ID CFM								
		750			950			1150		
		MBH	COP	KW	MBH	COP	KW	MBH	COP	KW
60	60	38.5	4.76	2.13	37.5	4.60	2.22	36.6	4.44	2.30
	70	36.5	4.15	2.34	35.7	3.99	2.44	34.8	3.83	2.55
	80	34.6	3.63	2.54	33.8	3.47	2.67	32.9	3.32	2.79
47	60	31.1	4.00	2.03	30.5	3.94	2.09	30.0	3.88	2.16
	70	29.3	3.45	2.24	29.0	3.41	2.31	28.6	3.36	2.39
	80	27.4	2.99	2.44	27.4	2.96	2.53	27.3	2.92	2.63
40	60	25.2	3.30	2.00	25.5	3.34	2.06	25.7	3.37	2.13
	70	24.3	2.90	2.21	24.5	2.92	2.29	24.8	2.93	2.37
	80	23.4	2.58	2.42	23.6	2.57	2.51	23.9	2.57	2.61
30	60	20.7	2.78	1.94	21.3	2.89	1.98	21.8	2.99	2.02
	70	18.5	2.29	2.13	19.2	2.37	2.19	19.8	2.46	2.25
	80	16.4	1.87	2.32	17.1	1.94	2.40	17.8	2.01	2.48
17	60	15.6	2.13	1.89	15.8	2.21	1.91	15.9	2.28	1.94
	70	13.4	1.69	2.06	13.9	1.79	2.09	14.4	1.88	2.12
	80	11.1	1.31	2.23	11.9	1.43	2.26	12.8	1.55	2.30
10	60	11.4	1.59	1.86	12.1	1.75	1.86	12.9	1.91	1.87
	70	10.1	1.31	2.01	10.9	1.44	2.03	11.6	1.58	2.04
	80	8.9	1.07	2.18	9.6	1.18	2.20	10.3	1.29	2.22

HEATING PERFORMANCE DATA - 3.0 TON (LOW SPEED)										
PACKAGED UNIT MODEL NO. PHE6B3621										
AIR TEMPERATURE ENTERING OUTDOOR UNIT	AIR TEMPERATURE ENTERING INDOOR COIL	ID CFM								
		600			800			1000		
		MBH	COP	KW	MBH	COP	KW	MBH	COP	KW
60	60	30.3	5.01	1.72	29.4	4.36	1.89	28.4	3.84	2.07
	70	29.0	4.28	1.93	28.0	3.74	2.12	27.0	3.29	2.31
	80	27.8	3.69	2.15	26.6	3.22	2.34	25.5	2.83	2.54
47	60	25.3	4.18	1.72	24.3	3.67	1.87	23.3	3.24	2.01
	70	23.8	3.51	1.93	22.9	3.11	2.08	22.0	2.77	2.24
	80	22.2	2.96	2.14	21.5	2.65	2.30	20.8	2.38	2.47
40	60	22.0	3.63	1.72	21.2	3.22	1.85	20.4	2.88	1.99
	70	20.6	3.06	1.92	19.9	2.72	2.07	19.1	2.43	2.21
	80	19.3	2.59	2.13	18.6	2.31	2.28	17.9	2.07	2.44

HEATING PERFORMANCE DATA - 3.0 TON (HIGH SPEED)										
PACKAGED UNIT MODEL NO. PHE6B3621										
AIR TEMPERATURE ENTERING OUTDOOR UNIT	AIR TEMPERATURE ENTERING INDOOR COIL	ID CFM								
		1000			1200			1400		
		MBH	COP	KW	MBH	COP	KW	MBH	COP	KW
60	60	43.9	4.52	2.53	43.0	4.45	2.58	42.0	4.37	2.64
	70	42.1	4.01	2.76	41.2	3.94	2.82	40.3	3.87	2.88
	80	40.2	3.57	2.99	39.5	3.51	3.05	38.7	3.44	3.11
47	60	36.0	3.84	2.44	35.7	3.85	2.47	35.3	3.85	2.50
	70	34.5	3.41	2.66	34.1	3.39	2.70	33.7	3.37	2.75
	80	33.1	3.04	2.88	32.5	3.00	2.93	32.0	2.96	2.99
40	60	31.9	3.45	2.40	31.4	3.45	2.42	30.9	3.45	2.45
	70	30.5	3.04	2.62	30.0	3.04	2.65	29.6	3.03	2.69
	80	29.0	2.69	2.84	28.6	2.68	2.89	28.3	2.67	2.93
30	60	26.6	2.93	2.34	26.1	2.97	2.33	25.6	3.01	2.31
	70	25.4	2.59	2.56	25.0	2.60	2.57	24.6	2.62	2.57
	80	24.2	2.29	2.78	23.9	2.29	2.81	23.6	2.29	2.83
17	60	20.0	2.26	2.27	19.7	2.30	2.26	19.4	2.33	2.25
	70	18.8	1.97	2.48	18.6	2.00	2.48	18.5	2.03	2.49
	80	17.6	1.72	2.69	17.5	1.74	2.70	17.5	1.77	2.72
10	60	15.9	1.83	2.24	16.3	1.93	2.22	16.6	2.05	2.20
	70	8.5	0.95	2.30	12.0	1.35	2.36	15.6	1.75	2.42
	80	1.1	0.12	2.38	7.8	0.83	2.50	14.5	1.51	2.64



HEATING PERFORMANCE DATA - 3.5 TON (LOW SPEED)										
PACKAGED UNIT MODEL NO. PHE6B4221										
AIR TEMPERATURE ENTERING OUTDOOR UNIT	AIR TEMPERATURE ENTERING INDOOR COIL	ID CFM								
		750			950			1150		
		MBH	COP	KW	MBH	COP	KW	MBH	COP	KW
60	60	34.9	4.68	2.01	33.9	4.39	2.14	32.9	4.11	2.26
	70	33.0	3.99	2.25	32.1	3.74	2.39	31.1	3.51	2.52
	80	31.1	3.42	2.50	30.2	3.21	2.64	29.3	3.01	2.77
47	60	28.6	3.83	2.01	28.3	3.71	2.11	28.0	3.59	2.21
	70	26.8	3.24	2.25	26.4	3.12	2.35	26.0	3.01	2.45
	80	25.0	2.76	2.49	24.5	2.64	2.59	23.9	2.52	2.70
40	60	25.2	3.36	2.02	24.8	3.26	2.10	24.4	3.16	2.19
	70	23.8	2.84	2.27	23.3	2.73	2.36	22.8	2.63	2.46
	80	22.3	2.42	2.52	21.7	2.31	2.63	21.1	2.20	2.73

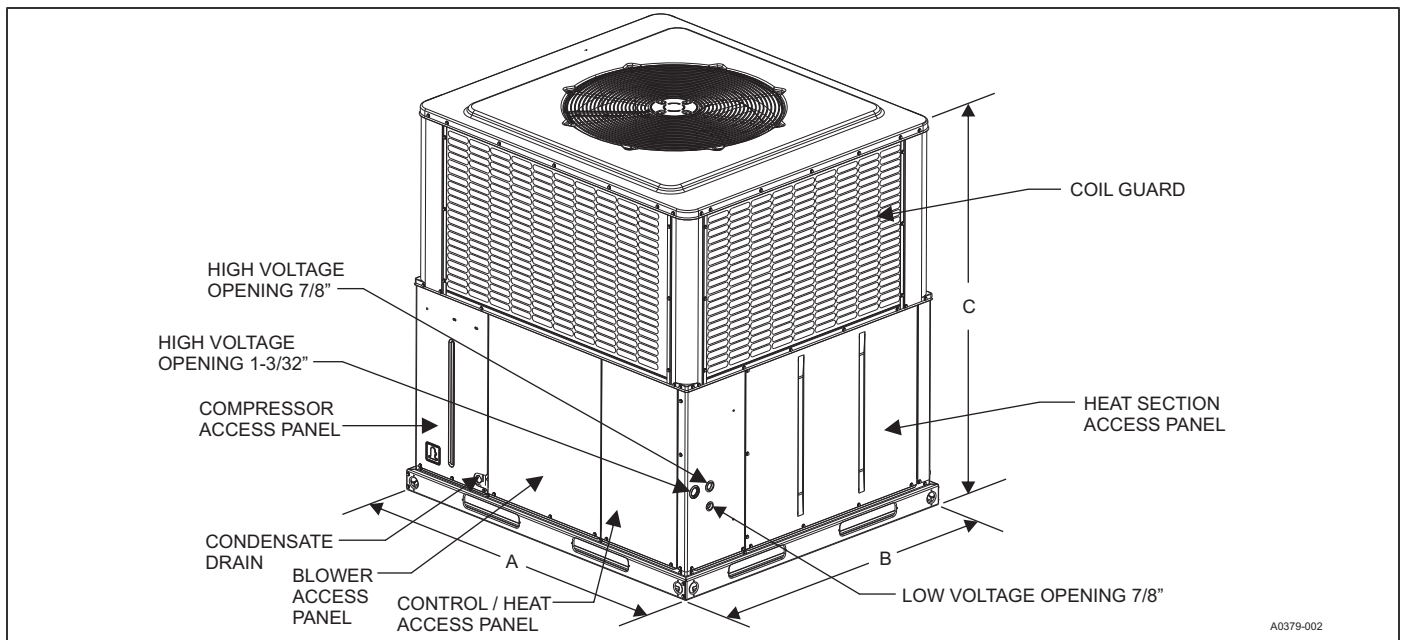
HEATING PERFORMANCE DATA - 3.5 TON (HIGH SPEED)										
PACKAGED UNIT MODEL NO. PHE6B4221										
AIR TEMPERATURE ENTERING OUTDOOR UNIT	AIR TEMPERATURE ENTERING INDOOR COIL	ID CFM								
		1070			1270			1470		
		MBH	COP	KW	MBH	COP	KW	MBH	COP	KW
60	60	47.0	4.42	2.80	46.5	4.36	2.89	46.1	4.30	2.98
	70	44.7	3.86	3.07	44.3	3.81	3.17	43.9	3.76	3.26
	80	42.3	3.39	3.34	42.0	3.34	3.45	41.8	3.30	3.54
47	60	37.5	4.35	2.22	35.0	4.13	2.25	32.5	3.90	2.27
	70	35.8	3.46	2.72	34.7	3.37	2.77	33.5	3.28	2.82
	80	34.2	2.83	3.23	34.4	2.85	3.30	34.6	2.86	3.38
40	60	22.2	2.30	2.51	27.6	2.84	2.61	33.1	3.38	2.71
	70	19.7	1.89	2.73	22.8	2.20	2.79	25.9	2.51	2.86
	80	17.1	1.53	2.95	18.0	1.63	2.98	18.8	1.73	3.01
30	60	27.5	2.79	2.57	28.7	2.93	2.63	29.9	3.08	2.68
	70	24.8	2.32	2.81	26.2	2.48	2.86	27.6	2.64	2.91
	80	22.1	1.93	3.04	23.8	2.09	3.09	25.4	2.25	3.14
17	60	15.2	1.62	2.44	16.9	1.84	2.45	18.5	2.07	2.46
	70	13.0	1.28	2.67	14.4	1.44	2.68	15.6	1.61	2.68
	80	10.9	0.99	2.91	11.9	1.10	2.91	12.8	1.22	2.91
10	60	16.7	1.76	2.47	17.5	1.89	2.46	18.2	2.04	2.45
	70	14.0	1.36	2.68	15.4	1.54	2.68	16.9	1.73	2.69
	80	11.2	1.02	2.89	13.4	1.24	2.91	15.5	1.46	2.94

HEATING PERFORMANCE DATA - 4.0 TON (LOW SPEED)										
PACKAGED UNIT MODEL NO. PHE6B4821										
AIR TEMPERATURE ENTERING OUTDOOR UNIT	AIR TEMPERATURE ENTERING INDOOR COIL	ID CFM								
		1000			1200			1400		
		MBH	COP	KW	MBH	COP	KW	MBH	COP	KW
60	60	44.4	4.83	2.48	44.3	4.55	2.68	44.1	4.31	2.89
	70	42.2	4.08	2.80	41.9	3.82	3.05	41.7	3.59	3.29
	80	39.9	3.48	3.14	39.6	3.24	3.42	39.3	3.02	3.70
47	60	35.9	3.90	2.48	35.9	3.71	2.67	35.9	3.54	2.85
	70	33.6	3.25	2.81	33.4	3.08	3.01	33.3	2.92	3.21
	80	31.3	2.72	3.15	31.0	2.57	3.36	30.6	2.43	3.57
40	60	31.4	3.41	2.48	31.3	3.25	2.65	31.2	3.11	2.82
	70	29.3	2.87	2.78	29.3	2.73	2.98	29.3	2.61	3.17
	80	27.3	2.42	3.08	27.3	2.30	3.30	27.3	2.20	3.51

HEATING PERFORMANCE DATA - 4.0 TON (HIGH SPEED)										
PACKAGED UNIT MODEL NO. PHE6B4821										
AIR TEMPERATURE ENTERING OUTDOOR UNIT	AIR TEMPERATURE ENTERING INDOOR COIL	ID CFM								
		1300			1500			1700		
		MBH	COP	KW	MBH	COP	KW	MBH	COP	KW
60	60	61.4	4.63	3.46	60.8	4.52	3.56	60.1	4.42	3.68
	70	58.7	4.04	3.82	58.2	3.93	3.97	57.7	3.82	4.12
	80	56.0	3.55	4.19	55.7	3.43	4.38	55.3	3.32	4.57
47	60	50.9	3.97	3.32	50.3	3.87	3.43	49.6	3.78	3.53
	70	48.3	3.43	3.71	48.0	3.34	3.83	47.7	3.26	3.97
	80	45.8	2.97	4.09	45.8	2.91	4.24	45.7	2.84	4.40
40	60	44.7	3.51	3.30	44.7	3.48	3.39	44.6	3.45	3.48
	70	42.6	3.02	3.70	42.6	2.99	3.81	42.7	2.95	3.92
	80	40.5	2.62	4.09	40.6	2.58	4.23	40.7	2.55	4.36
30	60	36.8	2.92	3.25	36.9	2.93	3.31	37.0	2.94	3.38
	70	35.1	2.55	3.59	35.2	2.51	3.73	35.3	2.47	3.88
	80	33.4	2.24	3.94	33.5	2.17	4.15	33.6	2.10	4.38
17	60	28.0	2.26	3.20	28.2	2.29	3.23	28.4	2.33	3.26
	70	26.3	1.94	3.55	26.6	1.94	3.64	26.9	1.95	3.73
	80	24.6	1.66	3.90	25.0	1.66	4.05	25.4	1.65	4.19
10	60	25.3	2.11	3.08	25.5	2.14	3.11	25.6	2.17	3.15
	70	23.3	1.76	3.44	23.5	1.78	3.49	23.9	1.81	3.55
	80	21.2	1.47	3.78	21.6	1.49	3.86	22.1	1.52	3.95

HEATING PERFORMANCE DATA - 5.0 TON (LOW SPEED)										
PACKAGED UNIT MODEL NO. PHE6B6021										
AIR TEMPERATURE ENTERING OUTDOOR UNIT	AIR TEMPERATURE ENTERING INDOOR COIL	ID CFM								
		1030			1230			1430		
		MBH	COP	KW	MBH	COP	KW	MBH	COP	KW
60	60	53.8	4.73	2.98	54.5	4.57	3.22	55.1	4.42	3.47
	70	51.7	4.09	3.34	52.2	3.93	3.61	52.7	3.79	3.88
	80	49.6	3.57	3.72	49.9	3.42	4.01	50.2	3.28	4.30
47	60	45.2	4.06	2.91	46.3	4.03	3.09	47.3	4.01	3.27
	70	43.2	3.50	3.25	44.0	3.46	3.46	44.9	3.42	3.67
	80	41.1	3.04	3.60	41.8	2.98	3.83	42.5	2.94	4.05
40	60	40.6	3.66	2.90	41.1	3.62	3.05	41.6	3.60	3.21
	70	38.4	3.14	3.23	39.0	3.12	3.40	39.7	3.09	3.57
	80	36.3	2.72	3.55	37.0	2.70	3.75	37.7	2.68	3.94

HEATING PERFORMANCE DATA - 5.0 TON (HIGH SPEED)										
PACKAGED UNIT MODEL NO. PHE6B6021										
AIR TEMPERATURE ENTERING OUTDOOR UNIT	AIR TEMPERATURE ENTERING INDOOR COIL	ID CFM								
		1530			1730			1930		
		MBH	COP	KW	MBH	COP	KW	MBH	COP	KW
60	60	73.6	4.77	4.15	73.1	4.56	4.18	72.5	4.37	4.21
	70	70.6	4.22	4.53	70.2	4.03	4.60	69.8	3.85	4.67
	80	67.6	3.74	4.92	67.4	3.57	5.01	67.2	3.42	5.11
47	60	61.4	4.17	3.94	61.5	4.02	3.97	61.6	3.88	4.01
	70	58.8	3.66	4.33	59.0	3.53	4.38	59.1	3.42	4.43
	80	56.2	3.23	4.73	56.4	3.12	4.78	56.6	3.02	4.84
40	60	54.6	3.76	3.88	54.8	3.66	3.88	55.1	3.57	3.88
	70	52.2	3.30	4.26	52.2	3.19	4.28	52.3	3.10	4.30
	80	49.7	2.90	4.65	49.6	2.80	4.69	49.5	2.70	4.73
30	60	44.5	3.17	3.74	44.9	3.11	3.72	45.3	3.06	3.70
	70	42.8	2.80	4.11	43.3	2.75	4.10	43.8	2.70	4.10
	80	41.1	2.48	4.48	41.7	2.44	4.49	42.3	2.40	4.51
17	60	33.4	2.46	3.60	33.3	2.41	3.54	33.2	2.36	3.48
	70	31.5	2.14	3.94	31.9	2.12	3.90	32.3	2.10	3.87
	80	29.6	1.87	4.26	30.5	1.87	4.26	31.5	1.88	4.26
10	60	30.1	2.24	3.55	30.6	2.24	3.49	31.2	2.24	3.43
	70	28.4	1.95	3.88	28.9	1.95	3.83	29.5	1.95	3.79
	80	26.6	1.70	4.21	27.2	1.70	4.18	27.8	1.69	4.15



**UNIT DIMENSIONS**

Model	Dimensions (in.)		
	A	B	C
PHE6A2421	51-1/4	35-3/4	47
PHE6A3021	51-1/4	35-3/4	47
PHE6B3621	51-1/4	45-3/4	49
PHE6B4221	51-1/4	45-3/4	49
PHE6B4821	51-1/4	45-3/4	53
PHE6B6021	51-1/4	45-3/4	55

**UNIT CLEARANCES**

Direction	Distance (in.)	Direction	Distance (in.)
Top <sup>1</sup>	36	Right Side	36
Side Opposite Ducts	36	Left Side	24
Duct Panel	0	Bottom <sup>2 3</sup>	1

1. There must be a minimum clearance of 1 in. on all sides of the supply air duct for the first 3 ft of the duct for 20 kW and 25 kW heaters (0 in. thereafter). For all other heaters, there must be a 0 in. clearance on all sides for the entire length of the supply air duct.

2. Units must be installed outdoors. Overhanging structures or shrubs must not obstruct the outdoor air discharge outlet.

3. Units can be installed on combustible materials made from wood or class A, B, or C roof covering materials if factory base rails are left in place as shipped.

**Note:** For units with a roof curb, the minimum clearance between combustible roof curb material and the supply air duct can be reduced from 1 in. to 1/2 in.

**INDOOR BLOWER SPECIFICATIONS**

Model	Motor				
	HP	RPM	EFF.	SF	Frame
PHE6A2421	1/2	Variable	0.8	1.0	48
PHE6A3021	1/2	Variable	0.8	1.0	48
PHE6B3621	1/2	Variable	0.8	1.0	48
PHE6B4221	3/4	Variable	0.8	1.0	48
PHE6B4821	3/4	Variable	0.8	1.0	48
PHE6B6021	1	Variable	0.8	1.0	48

**COOLING SOUND PERFORMANCE**

Model (Tons)	Sound Rating <sup>1</sup> dB(A)	Octave Band Centerline Frequency (Hz)						
		125	250	500	1000	2000	4000	8000
PHE6A2421	72.4	61.8	60.5	63.1	62.5	57.1	51.8	44.0
PHE6A3021	68.7	58.3	58.8	56.6	57.3	54.0	48.4	43.0
PHE6B3621	73.2	61.8	63.2	60.5	64.4	58.9	53.4	45.9
PHE6B4221	73.6	62.4	59.0	61.5	64.9	60.3	55.8	50.6
PHE6B4821	74.0	62.0	62.0	60.9	64.7	60.1	56.6	49.2
PHE6B6021	74.1	65.9	61.8	60.8	63.5	58.7	55.5	48.3

1. Rated in accordance with AHRI Standard 270.

**HEATING SOUND PERFORMANCE**

Model (Tons)	Sound Rating <sup>1</sup> dB(A)	Octave Band Centerline Frequency (Hz)						
		125	250	500	1000	2000	4000	8000
PHE6A2421	70.3	64.7	59.2	59.8	58.1	54.3	49.2	43.2
PHE6A3021	69.0	57.5	58.0	58.0	63.8	53.2	47.6	49.7
PHE6B3621	72.8	60.1	62.5	60.4	64.5	58.8	53.0	46.0
PHE6B4221	73.6	62.4	58.3	61.5	65.7	59.7	54.4	47.9
PHE6B4821	74.6	66.0	63.3	61.1	64.6	60.2	56.4	48.9
PHE6B6021	73.7	61.6	59.4	60.5	63.6	58.7	55.1	51.4

1. Rated in accordance with AHRI Standard 270.

**RECOMMENDED BLOWER SPEED FOR ELECTRIC HEAT**

Model	Heater kW								
	2	5	8	10	13	15	18	20	25
PHE6A2421	D (LO)	D (LO)	C (ML)	B (MH)	A (HI)	--	--	--	--
PHE6A3021	D (LO)	D (LO)	D (LO)	C (ML)	B (MH)	A (HI)	--	--	--
PHE6B3621	D (LO)	D (LO)	D (LO)	C (ML)	B (MH)	A (HI)	--	--	--
PHE6B4221	--	D (LO)	D (LO)	D (LO)	D (LO)	C (ML)	B (MH)	A (HI)	--
PHE6B4821	--	D (LO)	D (LO)	D (LO)	D (LO)	C (ML)	B (MH)	A (HI)	--
PHE6B6021	--	D (LO)	D (LO)	D (LO)	D (LO)	D (LO)	C (ML)	B (MH)	A (HI)

**Note:** The recommended HEAT speed selections above give approximately a 45 degree temperature rise at 0.3 in. static with 230 V power supply. If lower or higher heating airflow is required, or if duct static or voltage are different than specified, other speed taps can be used.

## ELECTRICAL DATA FOR 208/230-1-60 SINGLE SOURCE POWER

Model	Compressor			OD Fan Motor FLA	Blower Motor FLA	Electric Heat Option					MCA <sup>1</sup> (Amps)		Max Fuse <sup>2</sup> or Breaker Size <sup>3</sup>		
	RLA	LRA	MCC			Heater Kit <sup>4</sup>	Heater kW		Stages	Heater Amps		208	230	208	230
				208	230		208	230							
PHE6A24	11.7	58.3	18.2	0.8	3.8	none	--	--	--	--	--	19.2	19.2	30	30
						6HK16500206	1.8	2.2	1	8.7	9.6	30.0	31.2	35	40
						6HK16500506	3.6	4.4	1	17.3	19.1	40.9	43.1	45	50
						6HK16500806	5.8	7.1	1	27.9	30.9	54.1	57.8	60	60
						6HK16501006	7.2	8.8	1	34.6	38.3	62.5	67.1	70	70
						6HK16501306	9.4	11.5	2	45.2	50.0	75.7	81.7	80	90
PHE6A30	14.6	73.0	20.4	0.8	3.8	none	--	--	--	--	--	22.9	22.9	35	35
						6HK16500206	1.8	2.2	1	8.7	9.6	33.7	34.8	45	45
						6HK16500506	3.6	4.4	1	17.3	19.1	44.5	46.8	50	50
						6HK16500806	5.8	7.1	1	27.9	30.9	57.7	61.4	60	70
						6HK16501006	7.2	8.8	1	34.6	38.3	66.1	70.7	70	80
						6HK16501306	9.4	11.5	2	45.2	50.0	79.3	85.4	80	90
						6HK16501506	10.8	13.2	2	51.9	57.4	87.8	94.6	90	100
PHE6B36	15.6	83.0	24.4	1.7	3.8	none	--	--	--	--	--	25.0	25.0	40	40
						6HK16500206	1.8	2.2	1	8.7	9.6	35.8	37.0	40	50
						6HK16500506	3.6	4.4	1	17.3	19.1	46.6	48.9	50	50
						6HK16500806	5.8	7.1	1	27.9	30.9	59.9	63.6	60	70
						6HK16501006	7.2	8.8	1	34.6	38.3	68.3	72.8	70	80
						6HK16501306	9.4	11.5	2	45.2	50.0	81.5	87.5	90	90
						6HK16501506	10.8	13.2	2	51.9	57.4	89.9	96.7	90	100
PHE6B42	17.9	96.0	28.0	1.7	5.4	none	--	--	--	--	--	29.5	29.5	45	45
						6HK16500506	3.6	4.4	1	17.3	19.1	51.1	53.4	60	60
						6HK16500806	5.8	7.1	1	27.9	30.9	64.3	68.1	70	70
						6HK16501006	7.2	8.8	1	34.6	38.3	72.7	77.3	80	80
						6HK16501306	9.4	11.5	2	45.2	50.0	86.0	92.0	90	100
						6HK16501506	10.8	13.2	2	51.9	57.4	94.4	101.2	100	110
						6HK16501806	13.0	15.9	2	62.5	69.1	107.6	115.9	110	125
						6HK16502006	14.4	17.6	2	69.2	76.5	116.0	125.1	125	150
PHE6B48	21.2	104.0	33.0	1.7	5.4	none	--	--	--	--	--	33.6	33.6	50	50
						6HK16500506	3.6	4.4	1	17.3	19.1	55.2	57.5	70	70
						6HK16500806	5.8	7.1	1	27.9	30.9	68.5	72.2	80	80
						6HK16501006	7.2	8.8	1	34.6	38.3	76.9	81.4	80	90
						6HK16501306	9.4	11.5	2	45.2	50.0	90.1	96.1	100	100
						6HK16501506	10.8	13.2	2	51.9	57.4	98.5	105.3	100	110
						6HK16501806	13.0	15.9	2	62.5	69.1	111.7	120.0	125	125
						6HK16502006	14.4	17.6	2	69.2	76.5	120.1	129.3	125	150
PHE6B60	26.9	152.9	42.0	1.7	7	none	--	--	--	--	--	42.3	42.3	60	60
						6HK16500506	3.6	4.4	1	17.3	19.1	64.0	66.2	80	80
						6HK16500806	5.8	7.1	1	27.9	30.9	77.2	80.9	90	100
						6HK16501006	7.2	8.8	1	34.6	38.3	85.6	90.2	100	100
						6HK16501306	9.4	11.5	2	45.2	50.0	98.8	104.8	110	110
						6HK16501506	10.8	13.2	2	51.9	57.4	107.2	114.1	110	125
						6HK16501806	13.0	15.9	2	62.5	69.1	120.5	128.7	125	150
						6HK16502006	14.4	17.6	2	69.2	76.5	128.9	138.0	150	150

1. MCA = Minimum Circuit Ampacity.

2. Maximum Overcurrent Protection per standard UL 1995.

3. Fuse or HACR circuit breaker to be field installed.

4. Single Point Connection Kit required.

**ELECTRICAL DATA FOR 208-1-60 MULTI SOURCE POWER**

Model	Compressor			OD Fan Motor	Blower Motor	Electric Heat Option				Multi Source							
						Heater Kit	Heater kW	Stages	Heater Amps	208	208	208	208	208	208	208	208
	208	208															
Multi Source: Compressor Circuit and Heat Circuits						Multi Source: Circuit 1 Compressor Circuit Circuit 2 Heat Circuit 3 Heat Circuit 4 Heat				MCA <sup>1</sup> Amps	Max Fuse <sup>2</sup> or Breaker Size <sup>3</sup>	MCA <sup>1</sup> Amps	Max Fuse <sup>2</sup> or Breaker Size <sup>3</sup>	MCA <sup>1</sup> Amps	Max Fuse <sup>2</sup> or Breaker Size <sup>3</sup>	MCA <sup>1</sup> Amps	Max Fuse <sup>2</sup> or Breaker Size <sup>3</sup>
										Circuit 1		Circuit 2		Circuit 3		Circuit 4	
										19.2	30	--	--	--	--	--	--
PHE6A24	11.70	58.3	18.2	0.8	3.8	none	--	--	--	19.2	30	--	--	--	--		
						6HK(0,1)6500206	1.8	1	8.7	19.2	30	10.8	15	--	--	--	--
						6HK(0,1)6500506	3.6	1	17.3	19.2	30	21.6	25	--	--	--	--
						6HK(0,1)6500806	5.8	1	27.9	19.2	30	34.9	40	--	--	--	--
						6HK(0,1)6501006	7.2	1	34.6	19.2	30	43.3	45	--	--	--	--
						6HK16501306	9.4	2	45.2	19.2	30	37.7	40	18.8	20	--	--
						6HK26501306	9.4	2	45.2	19.2	30	56.5	60	--	--	--	--
PHE6A30	14.60	73.0	20.4	0.6	3.8	none	--	--	--	22.9	35	--	--	--	--		
						6HK(0,1)6500206	1.8	1	8.7	22.9	35	10.8	15	--	--	--	--
						6HK(0,1)6500506	3.6	1	17.3	22.9	35	21.6	25	--	--	--	--
						6HK(0,1)6500806	5.8	1	27.9	22.9	35	34.9	40	--	--	--	--
						6HK(0,1)6501006	7.2	1	34.6	22.9	35	43.3	45	--	--	--	--
						6HK16501306	9.4	2	45.2	22.9	35	37.7	40	18.8	20	--	--
						6HK16501506	10.8	2	51.9	22.9	35	43.3	50	21.6	25	--	--
						6HK26501306	9.4	2	45.2	22.9	35	56.5	60	--	--	--	--
6HK26501506	10.8	2	51.9	22.9	35	64.9	70	--	--	--	--						
PHE6B36	15.60	83.0	24.4	1.7	3.8	none	--	--	--	25.0	40	--	--	--	--		
						6HK(0,1)6500206	1.8	1	8.7	25.0	40	10.8	15	--	--	--	--
						6HK(0,1)6500506	3.6	1	17.3	25.0	40	21.6	25	--	--	--	--
						6HK(0,1)6500806	5.8	1	27.9	25.0	40	34.9	40	--	--	--	--
						6HK(0,1)6501006	7.2	1	34.6	25.0	40	43.3	45	--	--	--	--
						6HK16501306	9.4	2	45.2	25.0	40	37.7	40	18.8	20	--	--
						6HK16501506	10.8	2	51.9	25.0	40	43.3	50	21.6	25	--	--
						6HK26501306	9.4	2	45.2	25.0	40	56.5	60	--	--	--	--
6HK26501506	10.8	2	51.9	25.0	40	64.9	70	--	--	--	--						
PHE6B42	17.90	96.0	28.0	1.7	5.4	none	--	--	--	29.5	45	--	--	--	--		
						6HK(0,1)6500506	3.6	1	17.3	29.5	45	21.6	25	--	--	--	--
						6HK(0,1)6500806	5.8	1	27.9	29.5	45	34.9	40	--	--	--	--
						6HK(0,1)6501006	7.2	1	34.6	29.5	45	43.3	45	--	--	--	--
						6HK16501306	9.4	2	45.2	29.5	45	37.7	40	18.8	20	--	--
						6HK16501506	10.8	2	51.9	29.5	45	43.3	50	21.6	25	--	--
						6HK16501806	13.0	2	62.5	29.5	45	39.1	40	39.1	40	--	--
						6HK16502006	14.4	2	69.2	29.5	45	43.3	45	43.3	45	--	--
						6HK26501306	9.4	2	45.2	29.5	45	56.5	60	--	--	--	--
						6HK26501506	10.8	2	51.9	29.5	45	64.9	70	--	--	--	--
6HK26501806	13.0	2	62.5	29.5	45	78.1	80	--	--	--	--						
6HK26502006	14.4	2	69.2	29.5	45	86.5	90	--	--	--	--						
PHE6B48	21.20	104.0	33.0	1.7	5.4	none	--	--	--	33.6	50	--	--	--	--		
						6HK(0,1)6500506	3.6	1	17.3	33.6	50	21.6	25	--	--	--	--
						6HK(0,1)6500806	5.8	1	27.9	33.6	50	34.9	40	--	--	--	--
						6HK(0,1)6501006	7.2	1	34.6	33.6	50	43.3	45	--	--	--	--
						6HK16501306	9.4	2	45.2	33.6	50	37.7	40	18.8	20	--	--
						6HK16501506	10.8	2	51.9	33.6	50	43.3	50	21.6	25	--	--
						6HK16501806	13.0	2	62.5	33.6	50	39.1	40	39.1	40	--	--
						6HK16502006	14.4	2	69.2	33.6	50	43.3	45	43.3	45	--	--
						6HK26501306	9.4	2	45.2	33.6	50	56.5	60	--	--	--	--
						6HK26501506	10.8	2	51.9	33.6	50	64.9	70	--	--	--	--
6HK26501806	13.0	2	62.5	33.6	50	78.1	80	--	--	--	--						
6HK26502006	14.4	2	69.2	33.6	50	86.5	90	--	--	--	--						

Table continued on next page. See notes at end of table.

**ELECTRICAL DATA FOR 208-1-60 MULTI SOURCE POWER (Continued)**

Model	Compressor			OD Fan Motor	Blower Motor	Electric Heat Option				Multi Source							
						Heater Kit	Heater kW	Stages	Heater Amps	208	208	208	208	208	208	208	208
	208	208															
Multi Source: Compressor Circuit and Heat Circuits						Multi Source: Circuit 1 Compressor Circuit Circuit 2 Heat Circuit 3 Heat Circuit 4 Heat				MCA <sup>1</sup> Amps	Max Fuse <sup>2</sup> or Breaker Size <sup>3</sup>	MCA <sup>1</sup> Amps	Max Fuse <sup>2</sup> or Breaker Size <sup>3</sup>	MCA <sup>1</sup> Amps	Max Fuse <sup>2</sup> or Breaker Size <sup>3</sup>	MCA <sup>1</sup> Amps	Max Fuse <sup>2</sup> or Breaker Size <sup>3</sup>
										Circuit 1		Circuit 2		Circuit 3		Circuit 4	
PHE6B60	26.90	152.9	42.0	1.7	7.0	none	--	--	--	42.3	60	--	--	--	--	--	
						6HK(0,1)6500506	3.6	1	17.3	42.3	60	21.6	25	--	--	--	--
						6HK(0,1)6500806	5.8	1	27.9	42.3	60	34.9	40	--	--	--	--
						6HK(0,1)6501006	7.2	1	34.6	42.3	60	43.3	45	--	--	--	--
						6HK16501306	9.4	2	45.2	42.3	60	37.7	40	18.8	20	--	--
						6HK16501506	10.8	2	51.9	42.3	60	43.3	50	21.6	25	--	--
						6HK16501806	13.0	2	62.5	42.3	60	39.1	40	39.1	40	--	--
						6HK16502006	14.4	2	69.2	42.3	60	43.3	45	43.3	45	--	--
						6HK26501306	9.4	2	45.2	42.3	60	56.5	60	--	--	--	--
						6HK26501506	10.8	2	51.9	42.3	60	64.9	70	--	--	--	--
						6HK26501806	13.0	2	62.5	42.3	60	78.1	80	--	--	--	--
						6HK26502006	14.4	2	69.2	42.3	60	86.5	90	--	--	--	--
6HK16502506	18.0	2	86.5	42.3	60	43.3	45	43.3	45	21.6	25						
6HK26502506	18.0	2	86.5	42.3	60	108.2	110	--	--	--	--						

1. MCA = Minimum Circuit Ampacity.
2. Maximum Overcurrent Protection per standard UL 1995.
3. Fuse or HACR circuit breaker to be field installed.

**ELECTRICAL DATA FOR 230-1-60 MULTI SOURCE POWER**

Model	Compressor			OD Fan Motor	Blower Motor	Electric Heat Option				Multi Source							
						Heater Kit	Heater kW	Stages	Heater Amps	230	230	230	230	230	230	230	
	230	230															
Multi Source: Compressor Circuit and Heat Circuits						Multi Source: Circuit 1 Compressor Circuit Circuit 2 Heat Circuit 3 Heat Circuit 4 Heat				MCA <sup>1</sup> Amps	Max Fuse <sup>2</sup> or Breaker Size <sup>3</sup>	MCA <sup>1</sup> Amps	Max Fuse <sup>2</sup> or Breaker Size <sup>3</sup>	MCA <sup>1</sup> Amps	Max Fuse <sup>2</sup> or Breaker Size <sup>3</sup>	MCA <sup>1</sup> Amps	Max Fuse <sup>2</sup> or Breaker Size <sup>3</sup>
										Circuit 1		Circuit 2		Circuit 3		Circuit 4	
PHE6A24	11.70	58.3	18.2	0.8	3.8	none	--	--	--	19.2	30	--	--	--	--	--	
						6HK(0,1)6500206	2.2	1	9.6	19.2	30	12.0	15	--	--	--	--
						6HK(0,1)6500506	4.4	1	19.1	19.2	30	23.9	25	--	--	--	--
						6HK(0,1)6500806	7.1	1	30.9	19.2	30	38.6	40	--	--	--	--
						6HK(0,1)6501006	8.8	1	38.3	19.2	30	47.8	50	--	--	--	--
						6HK16501306	11.5	2	50.0	19.2	30	41.7	45	20.8	25	--	--
						6HK26501306	11.5	2	50.0	19.2	30	62.5	70	--	--	--	--
PHE6A30	14.60	73.0	20.4	0.6	3.8	none	--	--	--	22.9	35	--	--	--	--	--	
						6HK(0,1)6500206	2.2	1	9.6	22.9	35	12.0	15	--	--	--	--
						6HK(0,1)6500506	4.4	1	19.1	22.9	35	23.9	25	--	--	--	--
						6HK(0,1)6500806	7.1	1	30.9	22.9	35	38.6	40	--	--	--	--
						6HK(0,1)6501006	8.8	1	38.3	22.9	35	47.8	50	--	--	--	--
						6HK16501306	11.5	2	50.0	22.9	35	41.7	45	20.8	25	--	--
						6HK16501506	13.2	2	57.4	22.9	35	47.8	50	23.9	25	--	--
						6HK26501306	11.5	2	50.0	22.9	35	62.5	70	--	--	--	--
6HK26501506	13.2	2	57.4	22.9	35	71.7	80	--	--	--	--						

Table continued on next page. See notes at end of table.



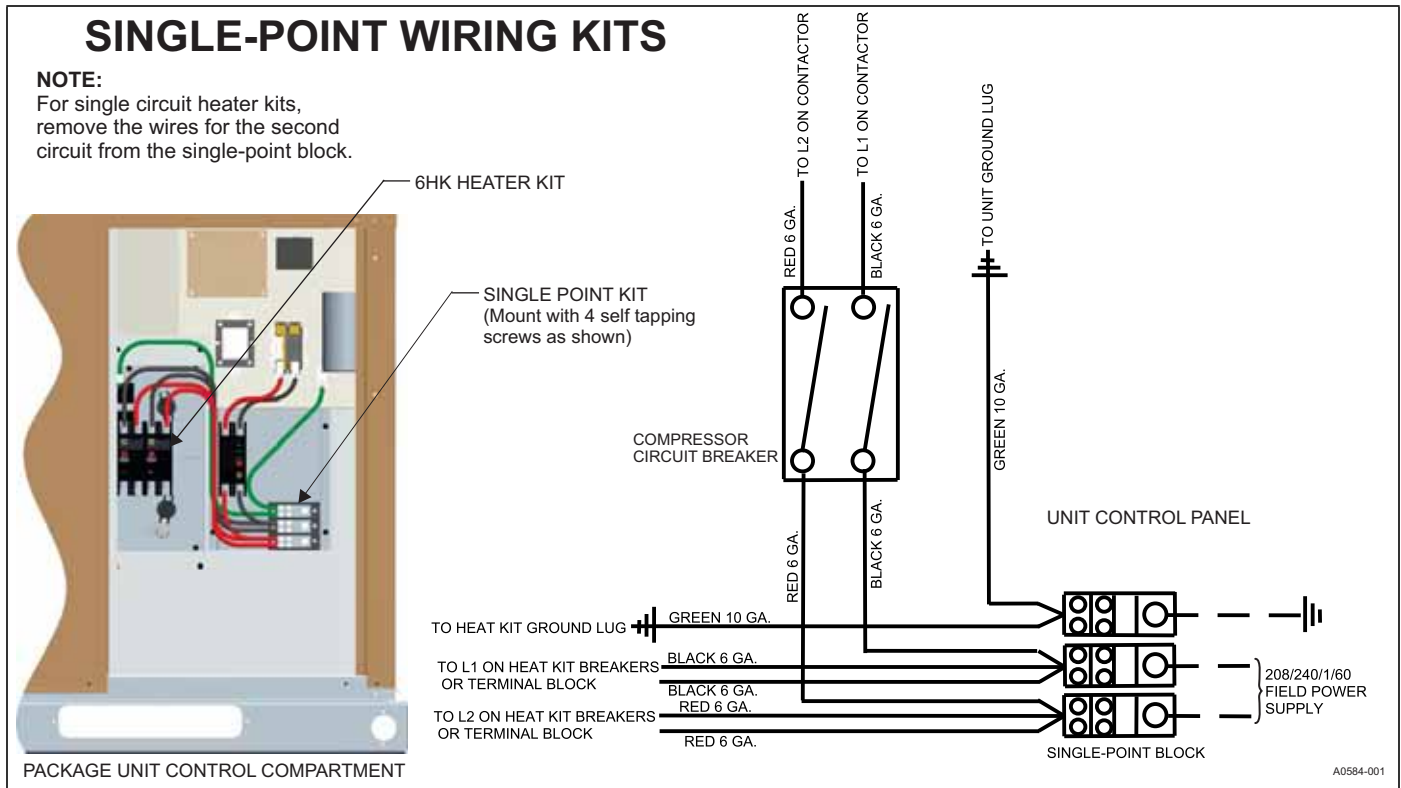
**ELECTRICAL DATA FOR 230-1-60 MULTI SOURCE POWER**

Model	Compressor			OD Fan Motor	Blower Motor	Electric Heat Option				Multi Source							
	RLA	LRA	MCC			Heater Kit	Heater kW	Stages	Heater Amps	230	230	230	230	230	230	230	230
	FLA	FLA	FLA	230	230												
<b>Multi Source: Compressor Circuit and Heat Circuits</b>						<b>Multi Source: Circuit 1 Compressor Circuit Circuit 2 Heat Circuit 3 Heat Circuit 4 Heat</b>				<b>MCA<sup>1</sup> Amps</b>	<b>Max Fuse<sup>2</sup> or Breaker Size<sup>3</sup></b>	<b>MCA<sup>1</sup> Amps</b>	<b>Max Fuse<sup>2</sup> or Breaker Size<sup>3</sup></b>	<b>MCA<sup>1</sup> Amps</b>	<b>Max Fuse<sup>2</sup> or Breaker Size<sup>3</sup></b>	<b>MCA<sup>1</sup> Amps</b>	<b>Max Fuse<sup>2</sup> or Breaker Size<sup>3</sup></b>
										<b>Circuit 1</b>		<b>Circuit 2</b>		<b>Circuit 3</b>		<b>Circuit 4</b>	
PHE6B36	15.60	83.0	24.4	1.7	3.8	none	--	--	--	25.0	40	--	--	--	--	--	--
						6HK(0,1)6500206	2.2	1	9.6	25.0	40	12.0	15	--	--	--	--
						6HK(0,1)6500506	4.4	1	19.1	25.0	40	23.9	25	--	--	--	--
						6HK(0,1)6500806	7.1	1	30.9	25.0	40	38.6	40	--	--	--	--
						6HK(0,1)6501006	8.8	1	38.3	25.0	40	47.8	50	--	--	--	--
						6HK16501306	11.5	2	50.0	25.0	40	41.7	45	20.8	25	--	--
						6HK16501506	13.2	2	57.4	25.0	40	47.8	50	23.9	25	--	--
						6HK26501306	11.5	2	50.0	25.0	40	62.5	70	--	--	--	--
PHE6B42	17.90	96.0	28.0	1.7	5.4	none	--	--	--	29.5	45	--	--	--	--	--	--
						6HK(0,1)6500506	4.4	1	19.1	29.5	45	23.9	25	--	--	--	--
						6HK(0,1)6500806	7.1	1	30.9	29.5	45	38.6	40	--	--	--	--
						6HK(0,1)6501006	8.8	1	38.3	29.5	45	47.8	50	--	--	--	--
						6HK16501306	11.5	2	50.0	29.5	45	41.7	45	20.8	25	--	--
						6HK16501506	13.2	2	57.4	29.5	45	47.8	50	23.9	25	--	--
						6HK16501806	15.9	2	69.1	29.5	45	43.2	45	43.2	45	--	--
						6HK16502006	17.6	2	76.5	29.5	45	47.8	50	47.8	50	--	--
PHE6B48	21.20	104.0	33.0	1.7	5.4	none	--	--	--	33.6	50	--	--	--	--	--	--
						6HK(0,1)6500506	4.4	1	19.1	33.6	50	23.9	25	--	--	--	--
						6HK(0,1)6500806	7.1	1	30.9	33.6	50	38.6	40	--	--	--	--
						6HK(0,1)6501006	8.8	1	38.3	33.6	50	47.8	50	--	--	--	--
						6HK16501306	11.5	2	50.0	33.6	50	41.7	45	20.8	25	--	--
						6HK16501506	13.2	2	57.4	33.6	50	47.8	50	23.9	25	--	--
						6HK16501806	15.9	2	69.1	33.6	50	43.2	45	43.2	45	--	--
						6HK16502006	17.6	2	76.5	33.6	50	47.8	50	47.8	50	--	--
PHE6B60	26.90	152.9	42.0	1.7	7.0	none	--	--	--	42.3	60	--	--	--	--	--	--
						6HK(0,1)6500506	4.4	1	19.1	42.3	60	23.9	25	--	--	--	--
						6HK(0,1)6500806	7.1	1	30.9	42.3	60	38.6	40	--	--	--	--
						6HK(0,1)6501006	8.8	1	38.3	42.3	60	47.8	50	--	--	--	--
						6HK16501306	11.5	2	50.0	42.3	60	41.7	45	20.8	25	--	--
						6HK16501506	13.2	2	57.4	42.3	60	47.8	50	23.9	25	--	--
						6HK16501806	15.9	2	69.1	42.3	60	43.2	45	43.2	45	--	--
						6HK16502006	17.6	2	76.5	42.3	60	47.8	50	47.8	50	--	--
						6HK26501306	11.5	2	50.0	42.3	60	62.5	70	--	--	--	--
						6HK26501506	13.2	2	57.4	42.3	60	71.7	80	--	--	--	--
						6HK26501806	15.9	2	69.1	42.3	60	86.4	90	--	--	--	--
						6HK26502006	17.6	2	76.5	42.3	60	95.7	100	--	--	--	--
6HK16502506	22.0	2	95.7	42.3	60	47.8	50	47.8	50	23.9	25						
6HK26502506	22.0	2	95.7	42.3	60	119.6	125	--	--	--	--						

1. MCA = Minimum Circuit Ampacity.  
 2. Maximum Overcurrent Protection per standard UL 1995.  
 3. Fuse or HACR circuit breaker to be field installed.

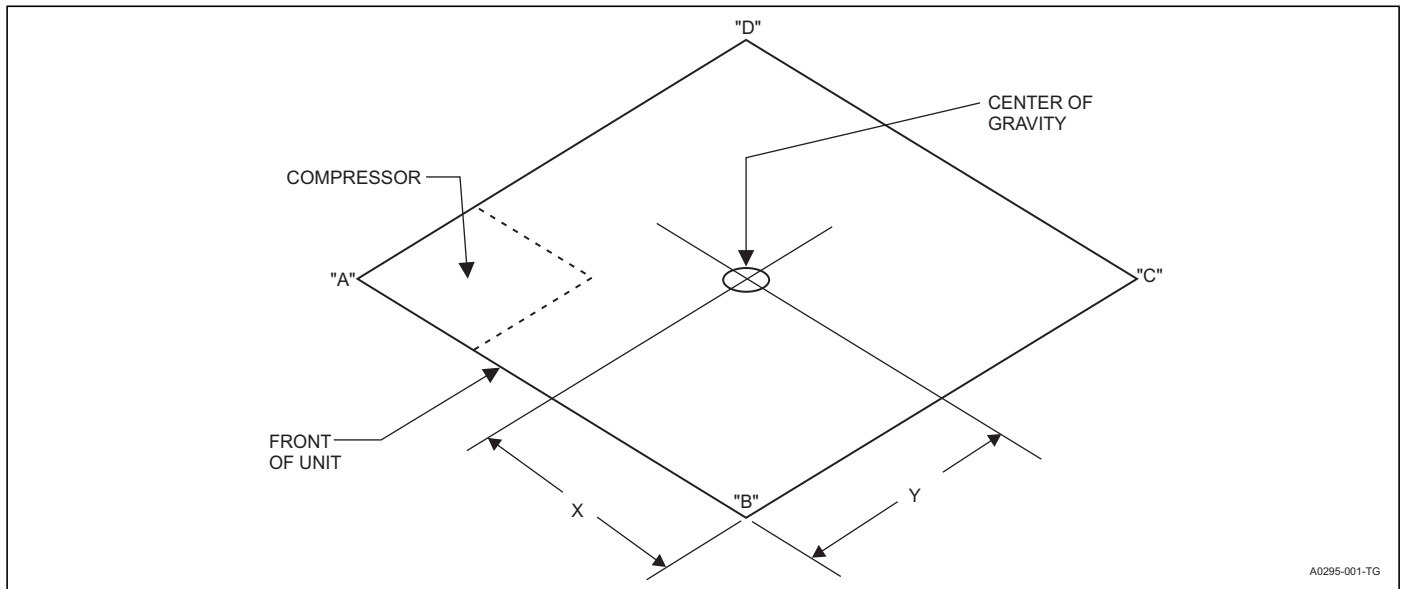
**SINGLE POINT KIT NUMBERS**

Single Point Kit P/N	Unit Model Number	Breaker Size	Heat Kit
S1-2SPWK006	PHE6A24	25 A	Up to 13 kW
S1-2SPWK002	PHE6A30	35 A	Up to 15 kW
S1-2SPWK007	PHE6B36	40 A	Up to 15 kW
S1-2SPWK003	PHE6B42	45 A	Up to 20 kW
S1-2SPWK004	PHE6B48	50 A	Up to 20 kW
S1-2SPWK005	PHE6B60	60 A	Up to 20 kW



**WEIGHTS AND DIMENSIONS**

Model	Weight (lb)		Center of Gravity		4 Point Load Location (lb)			
	Shipping	Operating	X	Y	A	B	C	D
PHE6A2421	382	377	29	15	133	88	86	75
PHE6A3021	397	392	29	15	127	101	99	70
PHE6B3621	453	448	29	15	158	108	101	86
PHE6B4221	476	471	30	15	164	119	111	82
PHE6B4821	501	496	29	15	168	130	119	84
PHE6B6021	528	523	30	15	177	136	128	87



A0295-001-TG

**AIRFLOW PERFORMANCE - SIDE DUCT APPLICATION**

Model	Jumper Position		External Static Pressure (in. W.C.)									
			0.1	0.2	0.3	0.4	0.5	0.6	0.7	0.8	0.9	1.0
			SCFM	SCFM	SCFM	SCFM	SCFM	SCFM	SCFM	SCFM	SCFM	SCFM
PHE6A24	High Cool/Heat	A	961	923	874	822	776	735	682	624	581	552
		B	910	837	780	729	685	631	576	529	495	453
		C	870	761	699	649	605	539	484	449	422	370
		D	799	623	552	475	436	387	338	294	237	192
	Low Cool/Heat	A	902	822	764	713	669	612	557	513	480	437
		B	855	734	669	615	572	509	454	418	385	334
		C	827	678	611	545	504	448	396	356	311	263
		D	675	546	466	404	347	277	205	160	126	80
	Heat	A	1033	1002	963	917	862	826	781	735	678	655
		B	961	923	874	822	776	735	682	624	581	552
		C	910	837	780	729	685	631	576	529	495	453
		D	878	777	715	665	621	558	502	465	437	386
PHE6A30	High Cool/Heat	A	1141	1116	1079	1038	991	946	905	864	820	776
		B	1054	1024	988	944	886	852	809	766	706	684
		C	1023	991	950	903	850	813	767	719	664	640
		D	910	837	780	729	685	631	576	529	495	453
	Low Cool/Heat	A	982	946	899	849	801	761	710	656	609	581
		B	927	867	813	761	717	667	612	561	524	487
		C	870	761	699	649	605	539	484	449	422	370
		D	813	650	582	510	470	417	367	325	274	227
	Heat	A	1108	1082	1045	1003	952	911	869	827	777	742
		B	1002	968	925	876	825	787	738	687	636	611
		C	886	792	731	681	637	576	520	481	451	403
		D	827	678	611	545	504	448	396	356	311	263
PHE6B36	High Cool/Heat	A	1345	1318	1271	1222	1172	1108	1035	961	894	841
		B	1264	1211	1170	1115	1056	981	894	826	775	729
		C	1232	1178	1131	1077	1012	929	853	790	738	690
		D	1058	999	931	859	762	694	635	582	523	459
	Low Cool/Heat	A	1153	1095	1036	979	899	810	751	697	643	588
		B	1015	952	884	802	709	646	582	528	467	402
		C	882	805	741	625	556	501	415	359	297	228
		D	805	718	642	523	436	376	294	247	193	118
	Heat	A	1190	1133	1079	1026	953	861	798	742	689	638
		B	1112	1054	991	928	840	760	701	648	591	532
		C	955	886	821	721	642	584	508	453	391	324
		D	856	776	708	591	516	459	375	321	262	191
PHE6B42	High Cool/Heat	A	1555	1518	1494	1459	1414	1360	1318	1261	1220	1162
		B	1473	1435	1406	1368	1320	1264	1220	1164	1119	1060
		C	1374	1333	1298	1255	1204	1145	1100	1044	993	933
		D	1216	1168	1117	1064	1007	942	892	838	775	712
	Low Cool/Heat	A	1233	1186	1137	1085	1029	965	915	861	799	736
		B	1139	1087	1027	968	907	839	785	733	663	598
		C	1025	966	892	823	756	684	625	575	494	427
		D	964	900	816	742	672	596	534	485	398	329
	Heat	A	1441	1407	1373	1325	1279	1232	1182	1108	1042	1039
		B	1327	1286	1242	1192	1143	1081	1024	949	881	834
		C	1187	1136	1084	1028	968	886	827	767	702	657
		D	1087	1031	974	909	832	750	704	653	600	537

Table continued on next page. See notes at end of table.

## AIRFLOW PERFORMANCE - SIDE DUCT APPLICATION (Continued)

Model	Jumper Position		External Static Pressure (in. W.C.)									
			0.1	0.2	0.3	0.4	0.5	0.6	0.7	0.8	0.9	1.0
			SCFM	SCFM	SCFM	SCFM	SCFM	SCFM	SCFM	SCFM	SCFM	SCFM
PHE6B48	High Cool/Heat	A	1851	1809	1781	1746	1707	1656	1609	1552	1518	1460
		B	1689	1652	1630	1597	1556	1504	1461	1404	1368	1310
		C	1614	1578	1554	1520	1477	1424	1382	1324	1286	1228
		D	1374	1333	1298	1255	1204	1145	1100	1044	993	933
	Low Cool/Heat	A	1473	1435	1406	1368	1320	1264	1220	1164	1119	1060
		B	1374	1333	1298	1255	1204	1145	1100	1044	993	933
		C	1322	1278	1238	1191	1138	1077	1030	975	920	859
		D	1286	1241	1197	1149	1095	1032	984	930	872	810
	Heat	A	1441	1407	1373	1325	1279	1232	1182	1108	1042	1039
		B	1327	1286	1242	1192	1143	1081	1024	949	881	834
		C	1187	1136	1084	1028	968	886	827	767	702	657
		D	1087	1031	974	909	832	750	704	653	600	537
PHE6B60	High Cool/Heat	A	2149	2114	2077	2030	1989	1948	1905	1859	1816	1768
		B	2013	1977	1941	1898	1860	1816	1772	1726	1677	1630
		C	1936	1900	1864	1822	1783	1739	1695	1649	1597	1551
		D	1719	1685	1642	1600	1555	1508	1465	1418	1372	1327
	Low Cool/Heat	A	1629	1591	1546	1502	1455	1409	1362	1315	1266	1220
		B	1558	1516	1469	1423	1375	1329	1280	1232	1181	1135
		C	1453	1406	1355	1305	1255	1207	1153	1100	1047	997
		D	1410	1361	1307	1255	1204	1155	1100	1044	992	938
	Heat	A	1743	1712	1666	1623	1580	1540	1493	1449	1404	1370
		B	1485	1436	1380	1329	1283	1234	1185	1139	1084	1032
		C	1382	1324	1265	1210	1162	1108	1059	1012	952	891
		D	1205	1131	1066	1005	953	892	841	793	724	644

**Notes:**

Airflow tested with dry coil conditions, without air filters, at 230 V.

Applications above 0.8 in. W.C. external static pressure are not recommended.

Brushless DC high efficiency standard ECM blower motor used for all indoor blower assemblies.

Minimal variations in airflow performance data result from operating at 208 V. Data above can be used in those cases.

Minimal variations in airflow performance data result from using downflow duct applications. Data above can be used in those cases.

Heating applications tested at 0.50 in. W.C. external static pressure, and cooling applications tested at 0.30 in. W.C. external static pressure per standards.

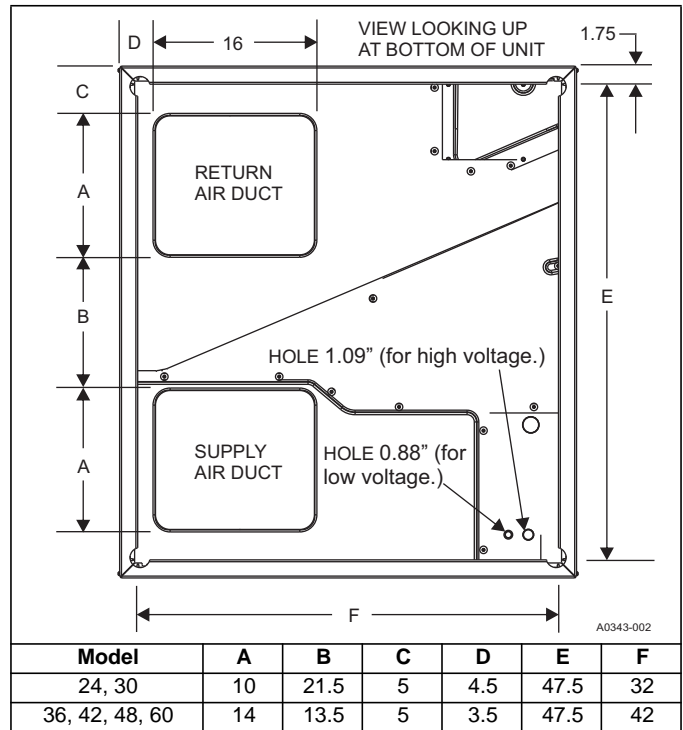
**ADDITIONAL STATIC RESISTANCE**

Size (Tons)	CFM	Wet Indoor Coil	Economizer <sup>1</sup>	Filter/Frame Kit
24 (2.0)	500	0.01	0.00	0.01
	600	0.01	0.00	0.02
	700	0.01	0.00	0.04
	800	0.02	0.01	0.06
	900	0.03	0.01	0.08
	1000	0.04	0.01	0.10
	1100	0.05	0.01	0.13
	1200	0.06	0.02	0.16
30 (2.5)	700	0.01	0.00	0.04
	800	0.02	0.01	0.06
	900	0.03	0.01	0.08
	1000	0.04	0.01	0.10
	1100	0.05	0.01	0.13
	1200	0.06	0.02	0.16
	1300	0.07	0.03	0.17
36 (3.0)	700	0.01	0.00	0.04
	800	0.02	0.01	0.06
	900	0.03	0.01	0.08
	1000	0.04	0.01	0.10
	1100	0.05	0.01	0.13
	1200	0.06	0.02	0.16
	1300	0.07	0.03	0.17
	1400	0.08	0.04	0.18
42 (3.5)	1100	0.02	0.02	0.04
	1200	0.03	0.02	0.04
	1300	0.04	0.02	0.05
	1400	0.05	0.03	0.05
	1500	0.06	0.04	0.06
	1600	0.07	0.04	0.07
	1700	0.07	0.04	0.08
	1800	0.08	0.04	0.09
	1900	0.09	0.05	0.10
	2000	0.09	0.05	0.11
	48 (4.0)	1100	0.02	0.02
1200		0.03	0.02	0.04
1300		0.04	0.02	0.05
1400		0.05	0.03	0.05
1500		0.06	0.04	0.06
1600		0.07	0.04	0.07
1700		0.07	0.04	0.08
1800		0.08	0.04	0.09
1900		0.09	0.05	0.10
2000		0.09	0.05	0.11
60 (5.0)	1100	0.02	0.02	0.04
	1200	0.03	0.02	0.04
	1300	0.04	0.02	0.05
	1400	0.05	0.03	0.05
	1500	0.06	0.04	0.06
	1600	0.07	0.04	0.07
	1700	0.07	0.04	0.08
	1800	0.08	0.04	0.09
	1900	0.09	0.05	0.10
	2000	0.09	0.05	0.11

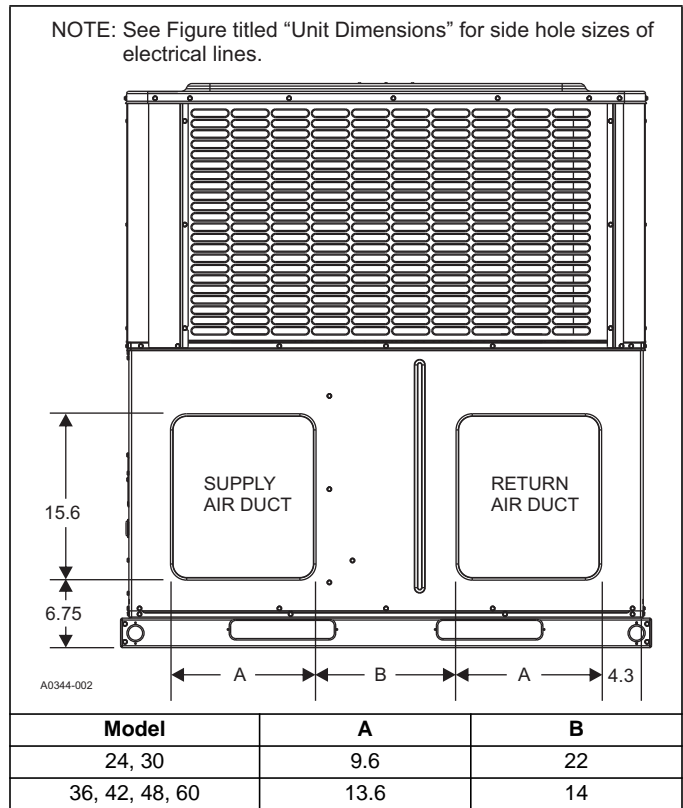
1. The pressure drop through the economizer is greater for 100% outdoor air than for 100% return air. If the resistance of the return air duct is less than 0.25 IWG, the unit delivers less CFM during full economizer operation.

**Note:** Filter pressure drop based on standard filter media tested at velocities not to exceed 300 ft/min.

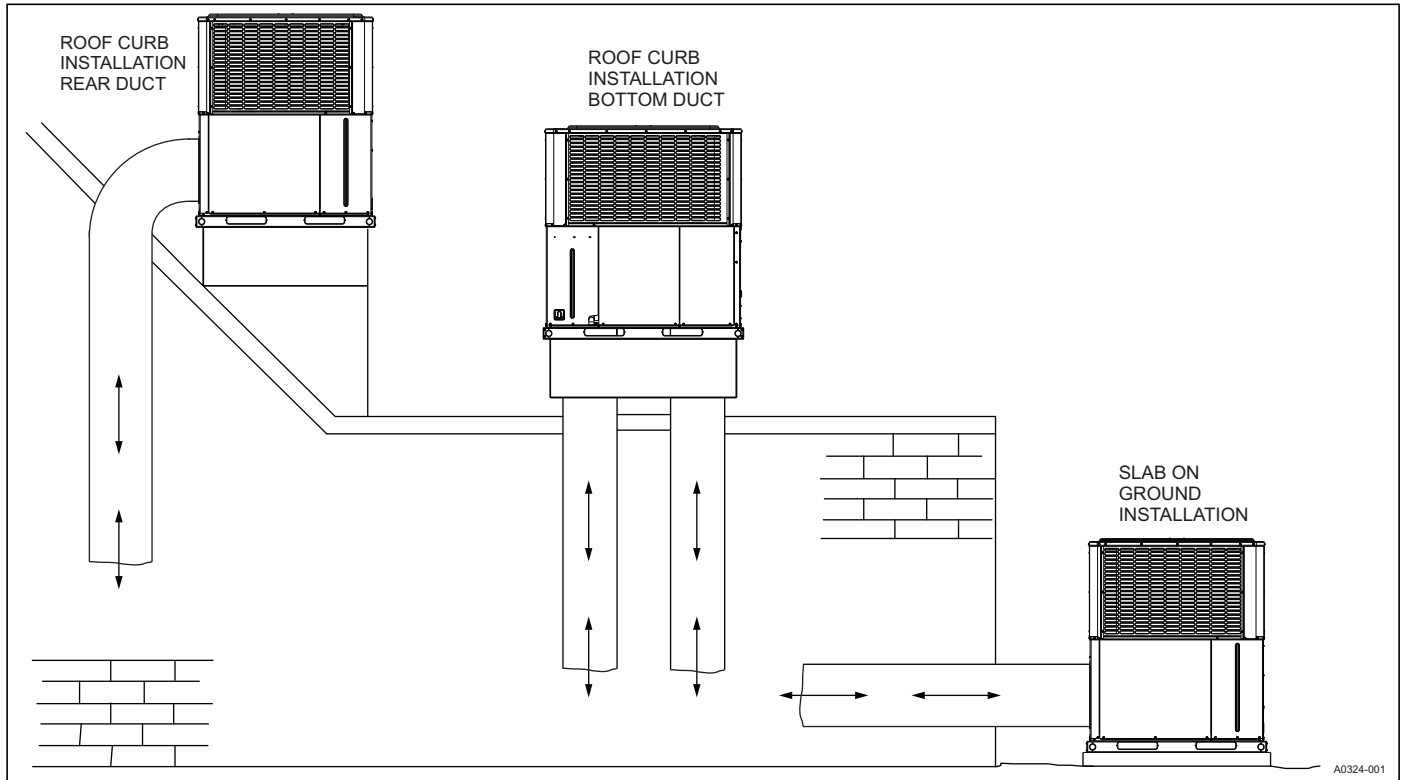
**BOTTOM DUCT DIMENSIONS (in.)**



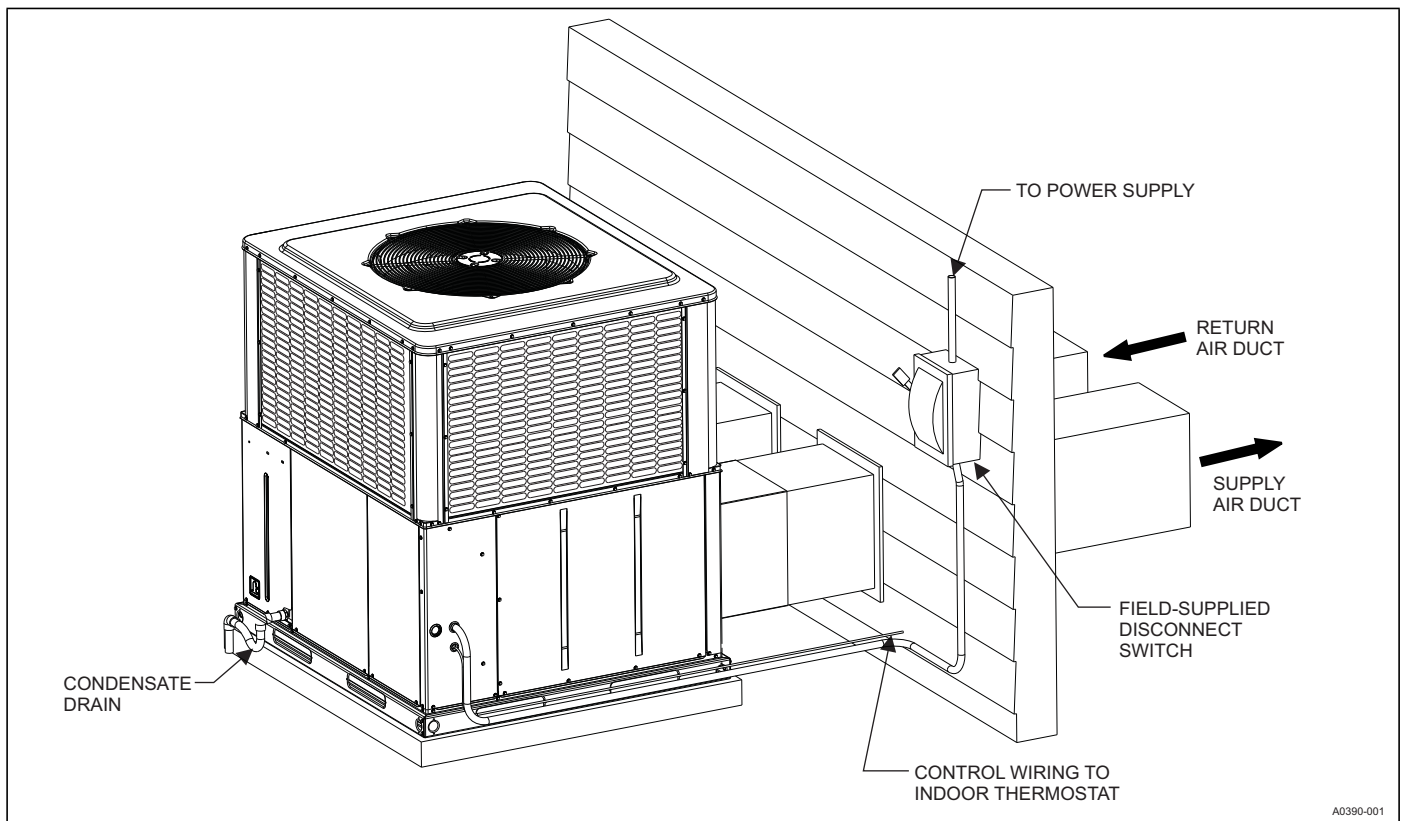
**REAR DUCT DIMENSIONS (in.)**



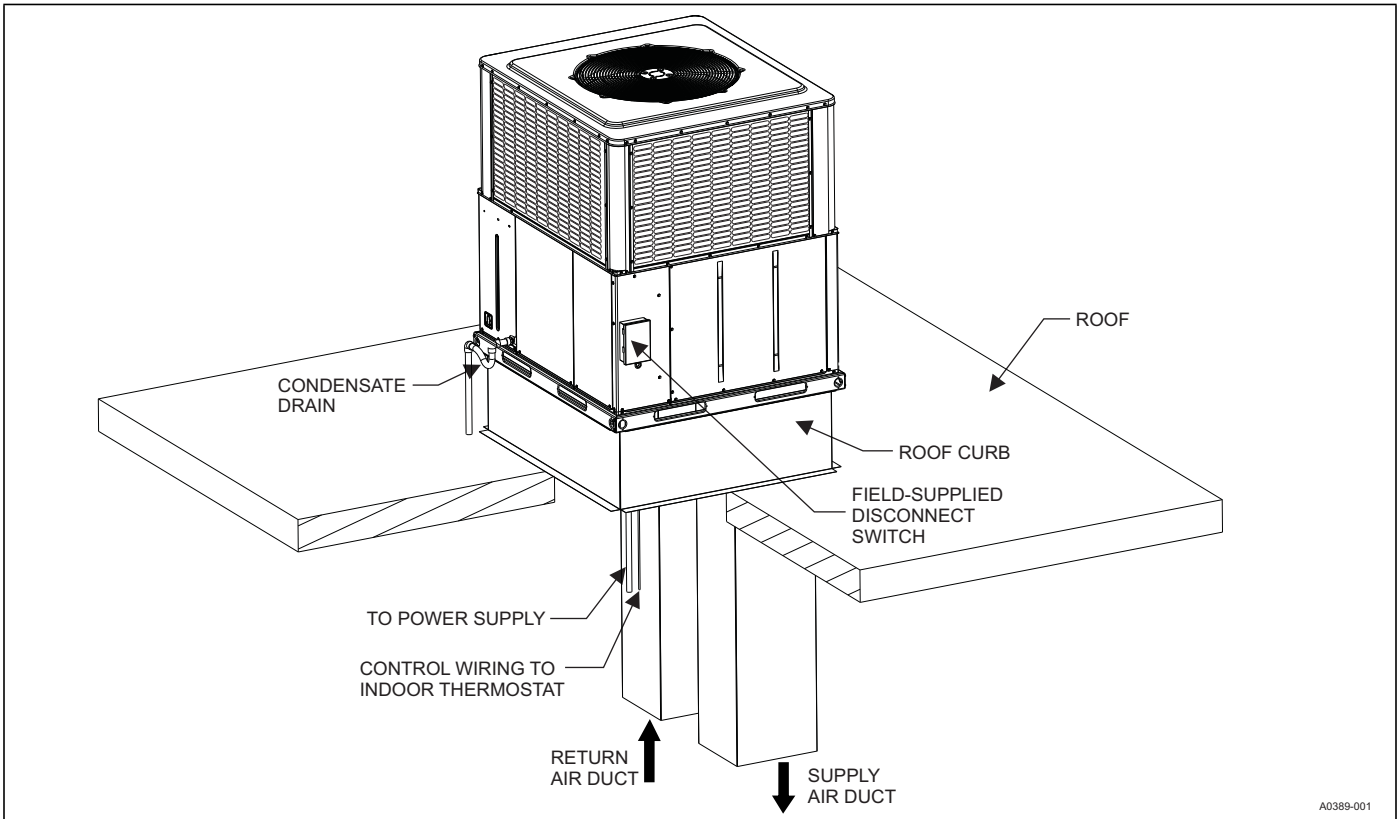
**UNIT TYPICAL DUCT APPLICATIONS**



**UNIT TYPICAL SLAB ON GROUND INSTALLATION**



# UNIT TYPICAL ROOF CURB INSTALLATION



A0389-001