

MOONLIGHT SOLAR CHIME™

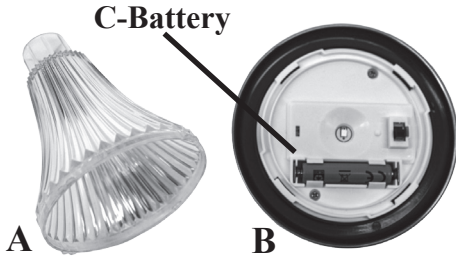
Assembly and Maintenance Instructions



When using the Solar Light for the first time, it may need additional charging prior to use. To be sure that your Solar Light is ready to accept a charge, please follow the steps listed below.

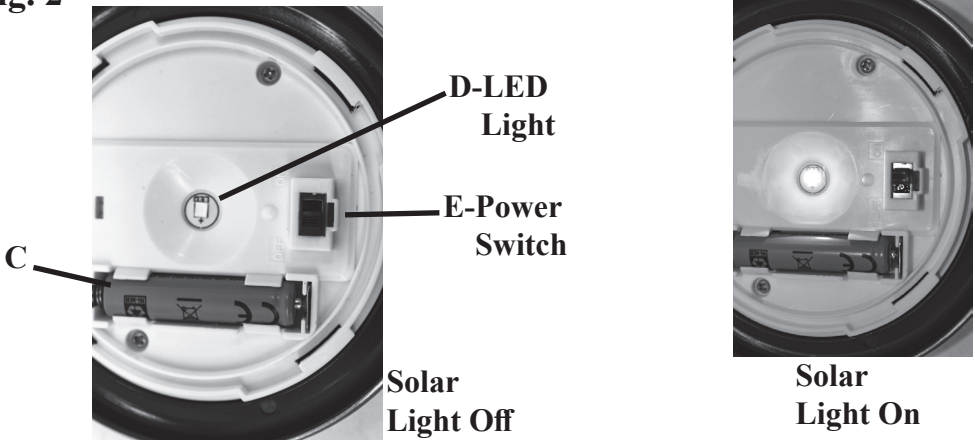
Solar Light and Chime Assembly

Fig. 1



- 1) See Fig. 1. Locate the Diffuser Center String Assembly (A) and Solar Light Top (B) wrapped in the box with the Moonlight Solar Chime.

Fig. 2

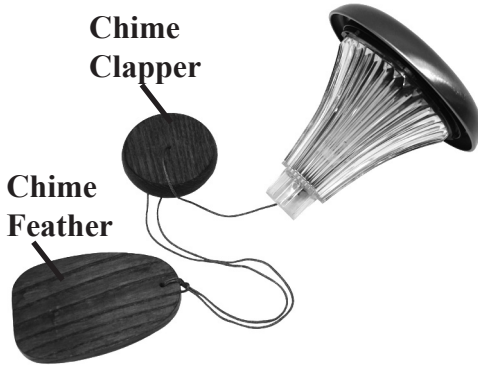


- 3) It is possible for the Battery (C) to dislodge in shipping. Make sure that it is located in the solar light top as shown in Fig. 1. If there is a plastic strip located between the battery and its housing, please remove it so that the battery can make contact. If the battery has become dislodged, please carefully check through the packaging materials to be sure that it is not loose in the gift box.
- 4) The solar light was shipped with the Power Switch (E) in the Off position. Slide the power switch to the On position.



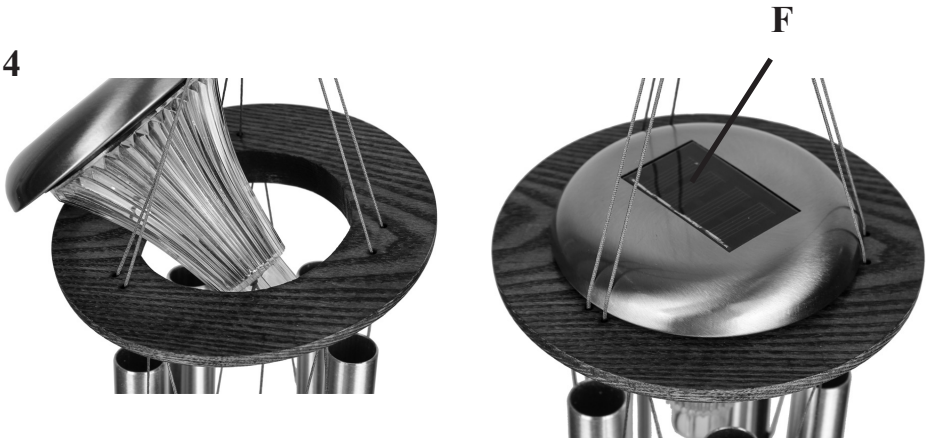
- 5) Holding the silver top steady, attach the clear plastic Diffuser cover (A) by turning counter clockwise making sure the cover clicks into place.

Fig. 3



The solar light Center String Assembly should now look like Fig. 3 .

Fig. 4



- 6) Place the solar light Center String Assembly, Feather first, into the top center round opening of the Moonlight Solar Chime (**Fig. 3 and Fig. 4**).
- 7) Hang the assembled chime in an area so that the black glass panel (F) receives a minimum of 6 hours of full sun each day.
- 8) The Moonlight Solar Chime will turn on automatically at night. With a full charge it should remain on for up to 8 hours.

Troubleshooting

If the Moonlight Solar Chime fails to light at night please check the following:

- 1) Be sure the power switch is in the On position. To access the switch, hold the silver top steady and turn the clear plastic cover (A) clockwise and remove. See Step 4 in the Solar Light and Chime Assembly section.
- 2) With the battery charged from a full day of sunlight, check the solar light is operating properly by completely covering the black glass panel on the top of the unit. If the light turns on, everything is functioning normally.
- 3) Check to make sure there are no light sources nearby such as porch or street lights. These would interfere with the automatic nighttime operation of the solar light.
- 4) Change the battery (C) by following steps 3 & 4 in the Maintenance section.

Maintenance

- 1) Periodically clean the black glass panel on the top of the solar light using a mild detergent and damp cloth.
- 2) The battery life is good for approximately 500 charging cycles. If the light only stays on for 3 to 4 hours after a full charge, the battery needs replacing.
- 3) The battery can be accessed the same way as the power switch (see Troubleshooting Step 1).
- 4) Replace with one AAA 600mAh Ni-MH rechargeable battery, making sure the + is in the correct position. Allow the new battery to charge for 6 hours before nighttime use.



Woodstock Chimes®